



P.I.T.[®]

Progressive Innovational Technology



PRODUCT PASSPORT
USER'S MANUAL



ПАСПОРТ ИЗДЕЛИЯ
ИНСТРУКЦИЯ ПОЛЬЗОВАТЕЛЯ

Cordless Stapler Аккумуляторный Степлер



EAC

PST20H-30/625A


PROGRESSIVE INNOVATIONAL TECHNOLOGY

ПРОГРЕССИВНЫЕ ИННОВАЦИОННЫЕ ТЕХНОЛОГИИ

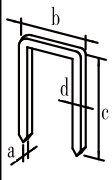
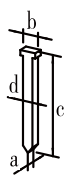


①

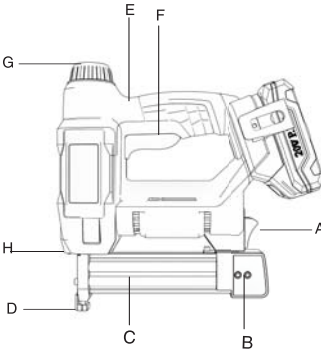
DC 20V




≤20pcs/min

 <p>a=1.08-1.26mm b=5.7-6.0mm c=15-22mm d=0.8-1.0mm</p> <p>Type 600,15-25mm</p>	 <p>a=1.25mm b=1.8-2.0mm c=15, 20, 25, 30, 32mm d=1mm</p> <p>Type F,15-32mm</p>
--	--


②



A, B, C, D, E, F, G, H



K

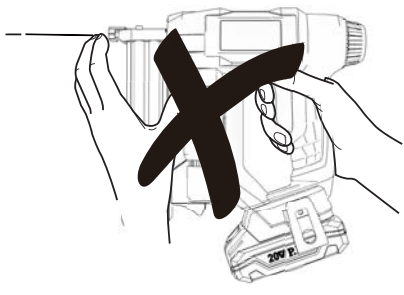


J

③

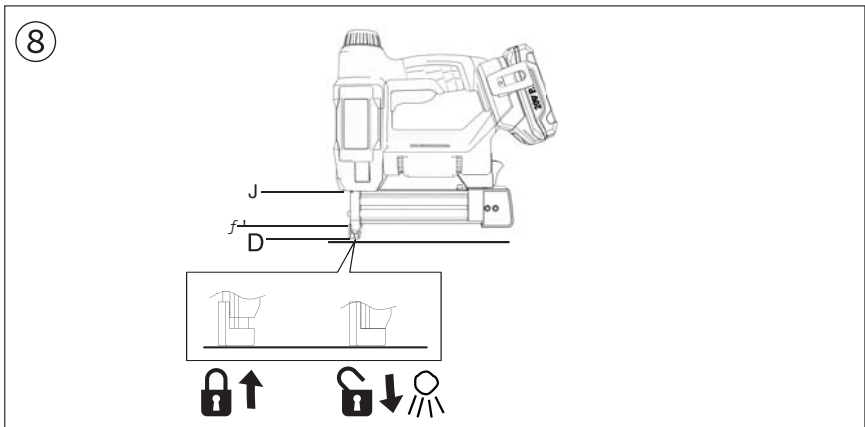
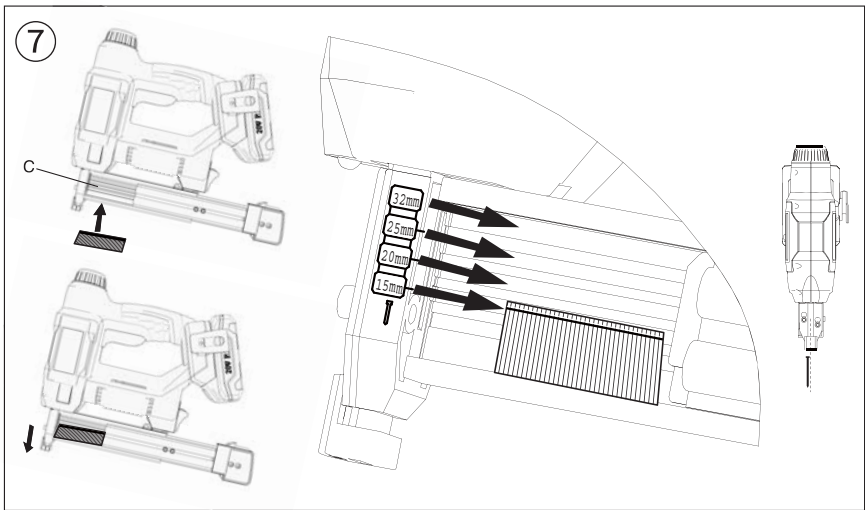
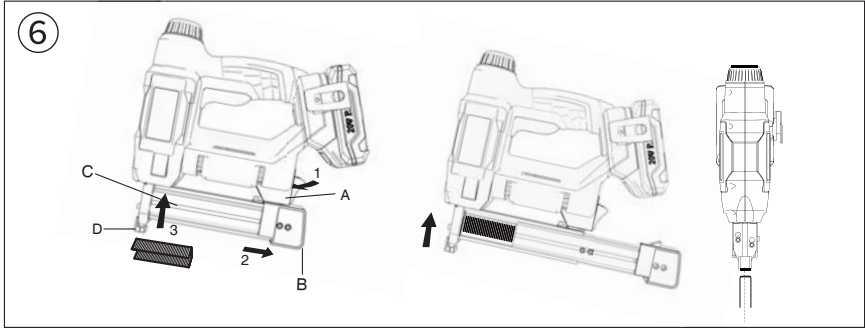


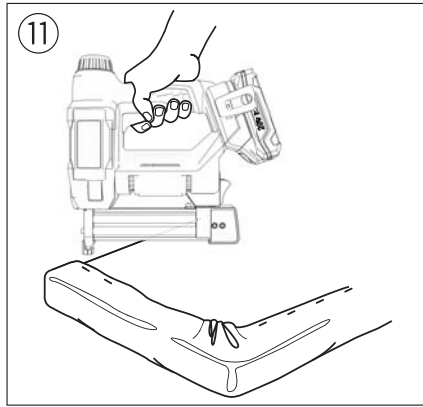
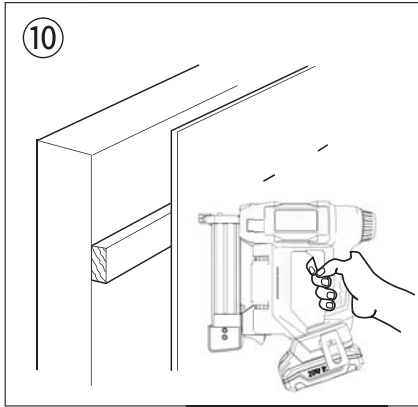
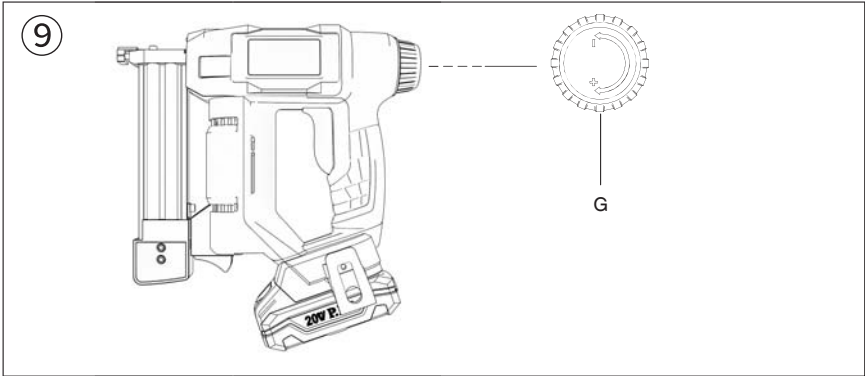
④



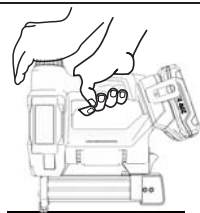
⑤



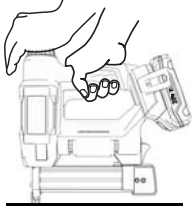


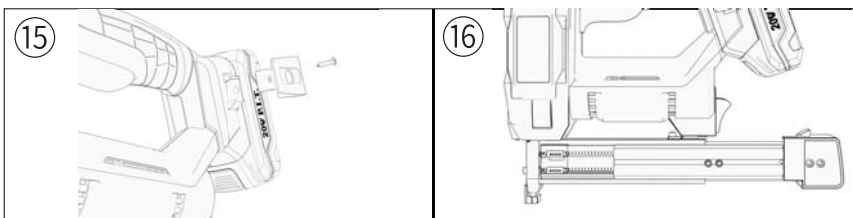
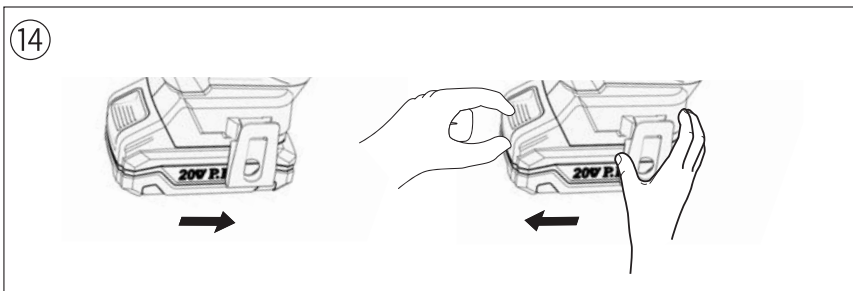
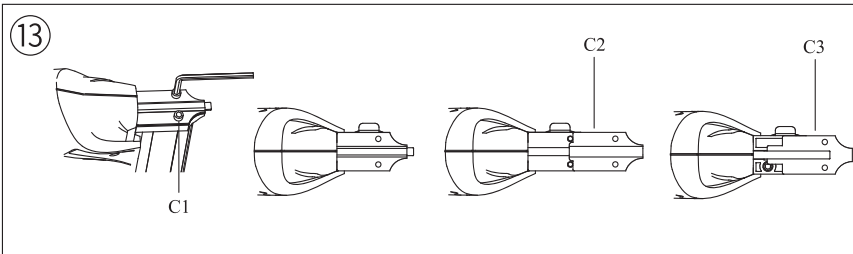


12-1

NO.	Wood	Wood hardness	Length of nail (mm)	Hand Operation
1	Beech Wood	High	15, 20, 25	 <p>Two hands operation (see picture). One hand operation is not suggested.</p>
2	Oak		15, 20, 25	
3	Medium Density Fiberboard	Medium	15, 20, 25	
4	Solid Wood		15, 20, 25, 30	
5	Pine	Low	15, 20, 25, 30, 32	
6	Plywood		15, 20, 25, 30, 32	
7	Cedar		15, 20, 25, 30, 32	

⑫ -2

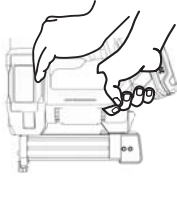
NO.	Wood	Wood hardness	Length of nail (mm)	Hand Operation
1	Beech Wood	High	15 - 16	 <p>Two hands operation (see picture). One hand operation is not suggested.</p>
2	Oak		15 - 16	
3	Medium Density Fiberboard	Medium	15 - 20	
4	Solid Wood		15 - 20	
5	Pine	Low	15 - 22	
6	Plywood		15 - 22	
7	Cedar		15 - 22	



17

№	Дерево	Твердость древесины	Длина гвоздя мм	Ручное управление
1	Бук	Высокая	15 20 25	
2	Дуб		15 20 25	
3	Древесноволокнистые плиты средней плотности	Средняя	15 20 25 30	
4	Твердая древесина		15 20 25 30	
5	Сосна	Низкая	15 20 25 30 32	
6	Фанера		15 20 25 30 32	
7	Кедр		15 20 25 30 32	

Работа двух рук (см. Рисунок). Операции с одной рукой не предлагаются.

NO.	Wood	Wood hardness	Length of staple mm	Hand Operation
1	Beech Wood	High	15 - 16	
2	Oak		15 - 16	
3	Medium Density Fiberboard	Medium	15 - 20	
4	Solid Wood		15 - 20	
5	Pine	Low	15 - 25	
6	plywood		15 - 25	
7	Cedar		15 - 25	

Two hands operation (see picture). One hand operation is not suggested.

English

Safety Notes

General Power Tool Safety Warnings

! **WARNING** Read all safety warnings and all instructions.

Failure to follow all instructions listed below may result in electric shock, fire and/or serious injury. The term "power tool" in all of the warnings listed below refers to your mains operated (corded) power tool or battery operated (cordless) power tool.

Work area safety

- ▶ **Keep work area clean and well lit.** Cluttered or dark areas invite accidents.
- ▶ **Do not operate power tools in explosive atmospheres, such as in the presence of flammable liquids, gases or dust.** Power tools create sparks which may ignite the dust or fumes.
- ▶ **Keep children and bystanders away while operating a power tool.** Distractions can cause you to lose control.

Electrical safety

- ▶ **Power tool plugs must match the outlet. Never modify the plug in any way. Do not use any adapter plugs with earthed (grounded) power tools.** Unmodified plugs and matching outlets will reduce risk of electric shock.
- ▶ **Avoid body contact with earthed or grounded surfaces, such as pipes, radiators, ranges and refrigerators.** There is an increased risk of electric shock if your body is earthed or grounded.
- ▶ **Do not expose power tools to rain or wet conditions.** Water entering a power tool will increase the risk of electric shock.
- ▶ **Do not abuse the cord. Never use the cord for carrying, pulling or unplugging the power tool. Keep cord away from heat, oil, sharp edges and moving parts.** Damaged or entangled cords increase the risk of electric shock.

Personal safety

- ▶ **Stay alert, watch what you are doing and use common sense when operating a power tool. Do not use a power tool while you are tired or under the influence of drugs, alcohol or medication.** A moment of inattention while operating power tools may result in serious personal injury.
- ▶ **Use safety equipment. Always wear eye protection.** Safety equipment such as dust mask, non-skid safety shoes, hard hat, or hearing protection used for appro-

priate conditions will reduce personal injuries.

- ▶ **Remove any adjusting key or wrench before turning the power tool on.** A wrench or a key left attached to a rotating part of the power tool may result in personal injury.
- ▶ **Do not overreach. Keep proper footing and balance at all times.** This enables better control of the power tool in unexpected situations.
- ▶ **Dress properly. Do not wear loose clothing or jewellery. Keep your hair, clothing and gloves away from moving parts.** Loose clothes, jewellery or long hair can be caught in moving parts.
- ▶ **If devices are provided for the connection of dust extraction and collection facilities, ensure these are connected and properly used.** Use of dust collection can reduce dust-related hazards.

Power tool use and care

- ▶ **Do not force the power tool. Use the correct power tool for your application.** The correct power tool will do the job better and safer at the rate for which it was designed.
- ▶ **Do not use the power tool if the switch does not turn it on and off.** Any power tool that cannot be controlled with the switch is dangerous and must be repaired.
- ▶ **Ensure the switch is in the off position before making any adjustments, changing accessories, or storing power tools.** Such preventive safety measures reduce the risk of starting the power tool accidentally.
- ▶ **Store idle power tools out of the reach of children and do not allow persons unfamiliar with the power tool or these instructions to operate the power tool.** Power tools are dangerous in the hands of untrained users.
- ▶ **Maintain power tools. Check for misalignment or binding of moving parts, breakage of parts and any other condition that may affect the power tool's operation. If damaged, have the power tool repaired before use.** Many accidents are caused by poorly maintained power tools.
- ▶ **Keep cutting tools sharp and clean.** Properly maintained cutting tools with sharp cutting edges are less likely to bind and are easier to control.
- ▶ **Use the power tool, accessories and**

tool bits etc. in accordance with these instructions, taking into account the working conditions and the work to be performed. Use of the power tool for operations different from those intended could result in a hazardous situation.

Battery tool use and care

- ▶ **Ensure the switch is in the off position before inserting battery pack.** Inserting the battery pack into power tools that have the switch on invites accidents.
- ▶ **Recharge only with the charger specified by the manufacturer.** A charger that is suitable for one type of battery pack may create a risk of fire when used with another battery pack.
- ▶ **Use power tools only with specifically designated battery packs.** Use of any other battery packs may create a risk of injury and fire.
- ▶ **When battery pack is not in use, keep it away from other metal objects, like paper clips, coins, keys, nails, screws or other small metal objects, that can make a connection from one terminal to another.** Shorting the battery terminals together may cause burns or a fire.
- ▶ **Under abusive conditions, liquid may be ejected from the battery; avoid contact. If contact accidentally occurs, flush with water. If liquid contacts eyes, additionally seek medical help.** Liquid ejected from the battery may cause irritation or burns.

Service

- ▶ **Have your power tool serviced by a qualified repair person using only identical replacement parts.** This will ensure that the safety of the power tool is maintained.

Safety instructions for tackers

- ▶ **Secure the workpiece** (a workpiece clamped with clamping devices or in a vice is held more securely than by hand)
- ▶ **Never push in the tacker head manually** 4 (there is danger of injury when at the same time the trigger is activated unintentionally)
- ▶ **Never use the tool for fastening electrical wiring** (contact with electrical wires can lead to fire and electric shock)
- ▶ Avoid damage that can be caused by screws, nails and other elements in your workpiece; remove them before you start working.

- ▶ In case of electrical or mechanical malfunction, immediately switch off the tool.
- ▶ PRULDE can assure flawless functioning of the tool only when original accessories are used.
- ▶ This tool should not be used by people under the age of 16 years.
- ▶ Do not expose tool to rain.

Product Description and Specifications



Read all safety warnings and all instructions. Failure to follow the warnings and instructions may result in electric shock, fire and/or serious injury.

Introduction

This tool is intended for stapling and nailing of cardboard, insulating material, fabrics, foils, leather and similar materials on surfaces of wood or materials similar to wood.

Technical specifications

Tool elements

- A** Lever for loading magazine
- B** Slider
- C** Magazine
- D** Tacker head
- E** Soft grip handle
- F** Trigger
- G** Impact control adjustment knob
- H** LED
- I** Non-marring nose tip
- J** Battery package
- K** Battery charger

Technical Data

Model	PST20H-30/625A
Voltage	DC 20 V
Nailing speed	20 pcs/min
Binding number	100 pcs
Code nail specifications	15-25 mm
Straight nail specifications	15-32 mm
Brackets parameters (width / thickness; length,type)	6/1 mm; 15-25mm type 600
Parameters of nails (width / thickness, length,type)	1.25 / 1 mm;15-32mm type F
Weight	2 Kg

Model	PST20H-30/625A
Compatible battery (availability varies by package)	PH20-2.0 (2 Ah) PH20-3.0 (3 Ah) PH20-4.0 (4 Ah) PH20-5.0 (5 Ah) PH20-6.0 (6 Ah)
Compatible charger (availability varies by package)	PH20-2.4 A PH20-3.0 A

Note

Since the product is constantly being improved, P.I.T. reserves the right to make changes to the specifications and product specifications specified here without prior notice.

Delivery set

Model	PST20H-30/625A
Cordless stapler	1 pc
Battery (2Ah)	-
Charger	-
Staples	500 pcs
Nails	500 pcs
Hex wrench	1 pc
User's Manual	1 pc

Note

Since the product is constantly being improved, P.I.T. reserves the right to make changes to the specifications and product specifications specified here without prior notice.

USE

Loading staples/nails

- ▶ tilt the tool or lay the tool flat, so the staples or nails will not drop out while loading.
- ▶ press lever A while pulling slider B backwards.
- ▶ place the nail strip into magazine C (maximal capacity 90 nails).
- ▶ push slider B against tacker head D until it snaplocks.

Attention

Make sure that

- ▶ the staple strip is loaded with the crown aligning with the top line of the magazine C.
- ▶ the nail strip is loaded with the tapered end aligning with the bottom line of the magazine C, so the brad nail head rest right into the grooves which corresponds with the symbol of nail length on tacker head D.
- ▶ push slider B against tacker head D until it snaplocks.

Operating the tool

- ▶ firmly press tacker head D against the workpiece until it is pushed in a few millimeters, when LED is lighting.
- ▶ briefly press trigger F and then release again.
- ▶ Trigger F is locked as long as you do not press tacker head D against the workpiece, thus preventing accidental operation.
- ▶ At 20 shots/min, tacker should be allowed to cool down after 30 minutes as it is only rated for short-time duty.
- ▶ **remove all staples/nails from the magazine after each use.**

Impact control

With knob G the required impact level can be adjusted in steps

- ▶ indicator G shows the selected impact level.
- ▶ “-” for thin and light materials such as foils and fabrics.
- ▶ “+” for thick and tough materials such as hard woods and walls.
- ▶ before starting a job, find the optimal impact level by testing out on spare material.

Application advice

- ▶ Fastening panels.
- ▶ Do not use the tool for fastening ceiling panelling on profiled wood or grooves.
- ▶ Fixing textiles.
- ▶ Avoid blank shots in order to reduce the wear of the impact strike.

Nail instructions for tackers

- ▶ **Roughly, the hardness of wood is divided into 3 levels:**
 - High
 - Medium
 - Low
- ▶ Nails of different length are applicable for different wood hardness.
- ▶ The tool has a recoil when firing, so two hands operation is suggested, to have a better control of the operation.

Unblocking jammed fasteners

- ▶ In the unlikely event that nails become jammed, follow these instructions to remove them.
- ▶ **unplug power cord from power source before removing.**
 - Remove the nose tip I.
 - Remove the plate retaining bolts C1.
 - Remove the safety mechanism retaining plate C2.
 - Remove the firing pin retaining plate C3.
- ▶ **Note the location as well as the order in**

which parts are removed from the tackler, this will make it easier to rebuild it.

Battery pack

- ▶ The tool uses an 20V battery pack, when ordering replacement battery packs, be sure to include catalogue number and voltage.

To install the battery pack

- ▶ Line up the guide slots on the battery and on the base of the tool. Slide the battery pack firmly into place until you hear the lock snap into place as shown in picture above.
- ▶ To remove the battery pack from the tool, press the release button and firmly slide the battery pack out until it is released.

Battery charger

- ▶ The charger can charge the battery in approximately 1-hour.
- ▶ Be sure to read all safety instructions before using your charge.
- ▶ There are no user serviceable parts inside the charger. Servicing by an authorized service centre is required to avoid damage to static sensitive internal components.
- ▶ Read all of the instructions in the battery charger section to this manual before attempting to charge the battery pack for the tool.
- ▶ Always use correct battery pack (pack supplied with tool or replacement pack exactly like it.), never install any other battery pack, it could damage the tool and may create a hazardous condition, as well as voiding any warranty you may have.

Charging procedure

The charger require no adjustment and are designed to be as easy as possible to operate.

- ▶ Plug the charger into an appropriate AC power outlet.
- ▶ Slide the battery pack onto the charger, as shown in picture making sure the pack is fully seated in the charger. The red LED will become illuminated to tell you that the battery pack is on charge.
- ▶ The battery pack will be fully charged in approximately 1 hour. When the green LED becomes illuminated, the charging is complete.

Important charging notes

Longest life and best performance can be obtained if the battery pack is charged when the air temperature is between 65°F and 75°F (18-24°C).

Do not charge the battery pack in an air temperature below 50°F (10°C), or above 104°F (40°C). This is important and will prevent serious damage to the battery pack.

- The charger and battery pack may become warm to touch while charging. This is a normal condition, and does not indicate a problem.
- Use the charger in normal room temperatures whenever possible. To prevent overheating, do not cover the charger and do not charge battery packs in direct sunlight or near heat sources.

Hook

Always make sure that your fingers are not placed on the trigger, and the battery pack and nails are removed before using the hook.

The hook is convenient for temporarily hanging the tool. This can be installed on one side of the tool.

Hex wrench storage

When not in use, store the hex wrench as shown in the figure to keep it from being lost.

Maintenance and Service

Maintenance and Cleaning

- ▶ **Before any work on the machine itself (e. g. maintenance, tool change, etc.) as well as during transport and storage, remove the battery from the power tool.**

There is danger of injury when unintentionally actuating the On/Off switch.

- ▶ **For safe and proper working, always keep the machine and ventilation slots clean.**

When the battery is no longer operative, please refer to an authorized after-sales service agent for P.I.T. power tools.

Dispose of waste



Damaged power tools, batteries, accessories and waste packaging materials must be recycled and reused in an environmentally friendly manner.

Do not throw power tools and accumulators / batteries into general household waste!

Product serial number interpretation serial number

No.

17	07	30	0395
----	----	----	------

Year month day

The first and second digits of the product serial number from left to right

Year of production, the third and fourth digits indicate the month of production, the fifth and sixth digits indicate the production day.

TERMS OF WARRANTY SERVICE

1. This Warranty Certificate is the only document that confirms your right to free warranty service. Without presenting this certificate, no claims are accepted. In case of loss or damage, the warranty certificate is not restored.

2. The warranty period for the electric machine is 12 months from the date of sale, during the warranty period the service department eliminates manufacturing defects and replaces parts that have failed due to the fault of the manufacturer free of charge. In the warranty repair, an equivalent operable product is not provided. Replaceable parts become property of service providers.

P.I.T is not liable for any damage that may be caused by operation of the electric machine.

3. Only clean tool accompanied with the following duly executed documents: this Warranty Certificate, Warranty Card, with all fields filled out, bearing the stamp of the trade organization and the signature of the buyer, shall be accepted for warranty repair.

4. Warranty repair is not performed in the following cases:

- in the absence of a Warranty Certificate and a Warranty Card or their incorrect execution;
- with failure of both a rotor and a stator of the electric engine, charring or melting of primary winding of the welding machine transformer, charging or starting-charging device, with internal parts melting, burn down of electronic circuit boards;
- if a Warranty Certificate or a Warranty Card does not correspond to this electric machine or to the form established by the supplier;
- upon expiration of the warranty period;
- at attempts of opening or repair of the electric machine outside the warranty workshop; making constructive changes and lubrication of the tool during the warranty period, as evidenced, for example, by the creases on the spline parts of the fasteners of non-rotational parts.
- when using electric tools for production or other purposes connected with making a profit, as well as in case of malfunctions related to instability of the power network parameters exceeding the norms established by GOST;
- in the events of improper operation (use the electric machine for other than intended purposes, attachments to the electric machine of

attachments, accessories, etc. not provided by the manufacturer);

- with mechanical damage to the case, power cord and in case of damages caused by aggressive agents and high and low temperatures, ingress of foreign objects in the ventilation grids of the electric machine, as well as in case of damage resulting from improper storage (corrosion of metal parts);
- natural wear and tear on the parts of the electric machine, as a result of long-term operation (determined on the basis of the signs of full or partial depletion of the specified mean life, great contamination, presence of rust outside and inside the electric machine, waste lubricant in the gearbox);
- use of the tool the purposes for other than specified in the operating instructions.
- mechanical damages to the tool;
- in the event of damages due to non-observance of the operating conditions specified in the instruction (see chapter "Safety Precautions" of the Manual).
- damage to the product due to non-observance of the rules of storage and transportation.

Preventive maintenance of electric machines (cleaning, washing, lubrication, replacement of anthers, piston and sealing rings) during the warranty period is a paid service.

The service life of the product is determined by the manufacturer and is 2 years from the date of manufacture.

The owner is notified of any possible violations of the above terms of warranty service upon completion of diagnostics in the service center.

The owner of the tool entrusts the diagnostic procedure to be conducted in the service center in his absence.

Do not operate the electric machine when there are signs of excessive heat, sparking, or noise in the gearbox. To determine the cause of the malfunction, the buyer should contact the warranty service center.

Malfunctions caused by late replacement of carbon brushes of the engine are eliminated at the expense of the buyer.

5. The warranty does not cover:

- replacement accessories (accessories and components), for example: batteries, discs, blades, drill bits, borers, chucks, chains, sprockets, collet clamps, guide rails, tension and fastening elements, trimming device heads, base of grinding and belt sander machines, hexagonal heads, etc.,

-
- fast wearing parts, for example: carbon brushes, drive belts, seals, protective covers, guiding rollers, guides, rubber seals, bearings, toothed belts and wheels, shanks, brake belts, starter ratchets and ropes, piston rings, etc. Their replacement during the warranty period is a paid service;
 - power cords, in case of damage to the insulation, power cords are subject to mandatory replacement without the consent of the owner (paid service);
 - tool case.

Русский

Общие указания по технике безопасности для электроинструментов

! **ПРЕДУПРЕЖДЕНИЕ** Прочтите все указания и инструкции по технике безопасности. Несоблюдение указаний и инструкций по технике безопасности может стать причиной поражения электрическим током, пожара и тяжелых травм.

Сохраняйте эти инструкции и указания для будущего использования.

Использованное в настоящих инструкциях и указаниях понятие «электроинструмент» распространяется на электроинструмент с питанием от сети (с сетевым шнуром) и на аккумуляторный электроинструмент (без сетевого шнура).

Безопасность рабочего места

- ▶ **Содержите рабочее место в чистоте и хорошо освещенным.** Беспорядок или неосвещенные участки рабочего места могут привести к несчастным случаям.
- ▶ **Не работайте с этим электроинструментом во взрывоопасном помещении, в котором находятся горючие жидкости, воспламеняющиеся газы или пыль.** Электроинструменты искрят, что может привести к воспламенению пыли или паров.
- ▶ **Во время работы с электроинструментом не допускайте близко к Вашему рабочему месту детей и посторонних лиц.** Отвлечшись, Вы можете потерять контроль над электроинструментом.
- ▶ Оборудование предназначено для работы в бытовых условиях, коммерческих зонах и общественных местах, производственных зонах с малым электропотреблением, без воздействия вредных и опасных производственных факторов. Оборудование предназначено для эксплуатации без постоянного присутствия обслуживающего персонала.

Электробезопасность

- ▶ **Штепсельная вилка электроинструмента должна подходить к штепсельной розетке.** Ни в коем случае не изменяйте штепсельную вилку. Не применяйте переходные штекеры для электроинструментов с защитным заземлением. Неизменные штепсельные вилки и подходящие штепсельные розетки снижают риск поражения электротоком.

- ▶ **Предотвращайте телесный контакт заземленными поверхностями, как то: с трубами, элементами отопления, кухонными плитами и холодильниками.** При заземлении Вашего тела повышается риск поражения электротоком.
- ▶ **Защищайте электроинструмент от дождя и сырости.** Проникновение воды в электроинструмент повышает риск поражения электротоком.
- ▶ **Не разрешается использовать шнур не по назначению, например, для транспортировки или подвески электроинструмента, или для вытягивания вилки из штепсельной розетки.** Защищайте шнур от воздействия высоких температур, масла, острых кромок или подвижных частей электроинструмента. Поврежденный или спутанный шнур повышает риск поражения электротоком.
- ▶ **При работе с электроинструментом под открытым небом применяйте пригодные для этого кабели удлинители.** Применение пригодного для работы под открытым небом кабеля-удлинителя снижает риск поражения электротоком.
- ▶ **Если невозможно избежать применения электроинструмента в сыром помещении, подключайте электроинструмент через устройство защитного отключения.** Применение устройства защитного отключения снижает риск электрического поражения.

Личная безопасность

- ▶ **Будьте внимательны, следите за тем, что делаете, и продуманно начинайте работу с электроинструментом. Не пользуйтесь электроинструментом в усталом состоянии или под воздействием наркотиков, алкоголя или лекарственных средств.** Один момент невнимательности при работе с электроинструментом может привести к серьезным травмам.
- ▶ **Применяйте средства индивидуальной защиты. Всегда носите защитные очки.** Использование средств индивидуальной защиты, как то: защитной маски, обуви на нескользящей подошве, защитного шлема или средств защиты органов слуха, в зависимости от вида работы с электроинструментом снижает риск получения травм.
- ▶ **Предотвращайте непреднамеренное**

включение электроинструмента. Перед подключением электроинструмента к электропитанию и/или к аккумулятору убедитесь в выключенном состоянии электроинструмента. Удержание пальца на выключателе при транспортировке электроинструмента и подключение к сети питания включенного электроинструмента чревато несчастными случаями.

- ▶ **Убирайте установочный инструмент или гаечные ключи до включения электроинструмента.** Инструмент или ключ, находящийся во вращающейся части электроинструмента, может привести к травмам.
- ▶ **Не принимайте неестественное положение корпуса тела. Всегда занимайте устойчивое положение и сохраняйте равновесие.** Благодаря этому Вы можете лучше контролировать электроинструмент в неожиданных ситуациях.
- ▶ **Носите подходящую рабочую одежду. Не носите широкую одежду и украшения. Держите волосы, одежду и перчатки вдали от движущихся частей.** Широкая одежда, украшения или длинные волосы могут быть затянуты вращающимися частями.
- ▶ **При наличии возможности установки пылеотсасывающих и пылесборных устройств проверяйте их присоединение и правильное использование.** Применение пылесоса может снизить опасность, создаваемую пылью.
- ▶ **ВНИМАНИЕ! В случае возникновения перебора в работе электроинструмента вследствие полного или частичного прекращения энергоснабжения или повреждения цепи управления энергоснабжением установите выключатель в положение Выкл., убедившись, что он не заблокирован (при его наличии). Отключите сетевую вилку от розетки или отсоедините съёмный аккумулятор.** Этим предотвращается неконтролируемый повторный запуск.
- ▶ **Квалифицированный персонал в соответствии с настоящим руководством подразумевает лиц, которые знакомы с регулировкой, монтажом, вводом эксплуатации обслуживанием электроинструмента.**
- ▶ **К работе с электроинструментом допу-**

скаются лица не моложе 18 лет, изучившие техническое описание, инструкцию по эксплуатации и правила безопасности.

- ▶ Изделие не предназначено для использования лицами (включая детей) с пониженными физическими, чувственными или умственными способностями или при отсутствии у них жизненного опыта или знаний, если они не находятся под контролем или не проинструктированы об использовании электроинструмента лицом, ответственным за их безопасность.

Применение электроинструмента и обращение с ним

- ▶ **Не перегружайте электроинструмент. Используйте для Вашей работы предназначенный для этого электроинструмент.** С подходящим электроинструментом Вы работаете лучше и надежнее в указанном диапазоне мощности.
- ▶ **Не работайте с электроинструментом при неисправном выключателе.** Электроинструмент, который не поддается включению или выключению, опасен и должен быть отремонтирован.
- ▶ **До начала наладки электроинструмента, перед заменой принадлежностей и прекращением работы отключайте штепсельную вилку от розетки сети и/или выньте аккумулятор.** Эта мера предосторожности предотвращает непреднамеренное включение электроинструмента.
- ▶ **Храните электроинструменты в недоступном для детей месте. Не разрешайте пользоваться электроинструментом лицам, которые не знакомы с ним или не читали настоящих инструкций.** Электроинструменты опасны в руках неопытных лиц.
- ▶ **Тщательно ухаживайте за электроинструментом. Проверяйте безупречную функцию и ход движущихся частей электроинструмента, отсутствие поломок или повреждений, отрицательно влияющих на функцию электроинструмента. Поврежденные части должны быть отремонтированы до использования электроинструмента.** Плохое обслуживание электроинструментов является причиной большого числа несчастных случаев.
- ▶ **Держите режущий инструмент в за-**

точном и чистом состоянии. Заботливо ухоженные режущие инструменты с острыми режущими кромками режут заклиниваются и их легче вести.

- ▶ **Применяйте электроинструмент, принадлежности, рабочие инструменты и т. п. в соответствии с настоящими инструкциями. Учитывайте при этом рабочие условия и выполняемую работу.** Использование электроинструментов для непредусмотренных работ может привести к опасным ситуациям.

Применение и обслуживание аккумулятора и аккумулятора

- ▶ **Заряжайте аккумуляторы только в зарядных устройствах, рекомендуемых изготовителем.** Зарядное устройство, предусмотренное для определенного вида аккумуляторов, может привести к пожарной опасности при использовании его с другими аккумуляторами.
- ▶ **Применяйте в электроинструментах только предусмотренные для этого аккумуляторы.** Использование других аккумуляторов может привести к травмам и пожарной опасности.
- ▶ **Защищайте неиспользуемый аккумулятор от канцелярских скрепок, монет, ключей, гвоздей, винтов и других маленьких металлических предметов, которые могут закоротить полюса.** Короткое замыкание полюсов аккумулятора может привести к ожогам или пожару.
- ▶ **При неправильном использовании из аккумулятора может потечь жидкость.** Избегайте соприкосновения с ней. При случайном контакте промойте соответствующее место водой. Если эта жидкость попадет в глаза, то дополнительно обратитесь за помощью к врачу. Вытекающая аккумуляторная жидкость может привести к раздражению кожи или к ожогам.

Сервис

- ▶ **Ремонт Вашего электроинструмента поручайте только квалифицированному персоналу и только с применением оригинальных запасных частей.** Этим обеспечивается безопасность электроинструмента.

Указания по технике безопасности для скобозабивных пистолетов

- ▶ **Всегда исходите из того, что в элек-**

троинструменте находятся скобы. Неосторожное обращение со скобозабивным пистолетом может привести к неожиданному выталкиванию скоб, что чревато травмами.

- ▶ **Не наводите электроинструмент на себя и других находящихся поблизости лиц.** В результате неожиданного приведения в действие происходит выталкивание скобы, что может привести к травмам.
- ▶ **Не приводите электроинструмент в действие до тех пор, пока он не будет плотно приставлен к обрабатываемой заготовке.** При отсутствии контакта между электроинструментом и заготовкой возможно отскакивание скобы от места закрепления.
- ▶ **При заклинивании скобы в электроинструменте отсоедините электроинструмент от источника питания.** Если скобозабивной пистолет подключен к источнику питания, при удалении застрявшей скобы он может быть случайно приведен в действие.
- ▶ **Будьте осторожны при вытягивании застрявшей скобы.** Механизм может находиться на взводе и скоба может быть с силой вытолкнута, когда Вы будете пытаться убрать застрявшую скобу.
- ▶ **Не используйте этот скобозабивной пистолет для закрепления электропроводки.** Он не предназначен для прокладки электропроводки, может повредить изоляцию электрокабеля и привести к электрическому удару и опасности возникновения пожара.
- ▶ **Используйте соответствующие металлоискатели для нахождения спрятанных в стене труб или проводки или обращайтесь за справкой в местное коммунальное предприятие.** Контакт с электропроводкой может привести к пожару и поражению электротоком. Повреждение газопровода может привести к взрыву. Повреждение водопровода ведет к нанесению материального ущерба.



Защитайте электроинструмент от высоких температур, напр., от длительного нагревания на солнце, от огня, воды и влаги. Существует опасность взрыва.

Указания по технике безопасности для блоков питания со

штепсельной вилкой!

► Данный блок питания со штепсельной вилкой не предназначен для использования детьми и лицами с ограниченными физическими, сенсорными или умственными способностями или недостаточным опытом и знаниями. Пользоваться данным блоком питания со штепсельной вилкой детям в возрасте 8 лет и старше и лицам с ограниченными физическими, сенсорными или умственными способностями или с недостаточным опытом и знаниями разрешается только под присмотром ответственного за их безопасность лица или если они прошли инструктаж на предмет надежного использования данного блока питания со штепсельной вилкой и понимают, какие опасности от него исходят. Иначе существует опасность неправильного использования и получения травм.



Берегите блок питания со штепсельной вилкой от дождя и сырости. Проникновение воды в блок питания со штепсельной вилкой повышает риск поражения электротоком.

► **Содержите блок питания со штепсельной вилкой в чистоте.** В результате загрязнений существует опасность электрического поражения.

► **Проверяйте блок питания со штепсельной вилкой перед каждым использованием. Не используйте блок питания со штепсельной вилкой, если обнаружены повреждения. Не вскрывайте блок питания со штепсельной вилкой самостоятельно, его ремонт разрешается выполнять только квалифицированному персоналу и только с использованием оригинальных запчастей.** Поврежденный блок питания со штепсельной вилкой повышает риск поражения электричеством.

Описание и спецификации продукта



Прочитайте все предупреждения и инструкции по технике безопасности. Несоблюдение предупреждений и инструкций может привести к поражению электрическим током, пожару и/или серьезной травме.

Назначение

Аккумуляторный степлер предназначен для сшивания и прибивания скобами/гвоздями картона, изоляционных материалов, тканей, фольги, кожи и аналогичных материалов на поверхностях из дерева или материалов, похожих на дерево.

Технические характеристики

Описание деталей

- A** Стопорная защелка магазина
- B** Слайдер магазина
- C** Магазин
- D** Контактный пускатель
- E** Основная прорезиненная рукоятка
- F** Выключатель
- G** Ручка регулировки глубины забивания
- H** LED-подсветка
- I** Защитный колпачок
- J** Аккумуляторная батарея
- K** Зарядное устройство

Технические характеристики

Модель	PST20H-30/625A
Напряжение	20 В
Частота ударов	20 шт/мин
Вместимость магазина	100 шт
Параметры скоб (ширина/толщина)	15-25 мм/Скобы
Параметры гвоздей (ширина/толщина)	15-32 мм/Гвозди
Параметры скоб (ширина/толщина; длина, тип)	6/1 мм; 15-25мм тип 600
Параметры гвоздей (ширина/толщина, длина, тип)	1,25/1 мм; 15-32мм тип F
Вес	2 Кг
Совместимая аккумуляторная батарея (наличие зависит от комплекта поставки)	RH20-2.0 (2 Ач) RH20-3.0 (3 Ач) RH20-4.0 (4 Ач) RH20-5.0 (5 Ач) RH20-6.0 (6 Ач)
Совместимое зарядное устройство (наличие зависит от комплекта поставки)	RH20-2.4 А RH20-3.0 А

Примечание

Так как изделие постоянно совершенствуется, P.I.T. оставляет за собой право на внесение изменений в указанные здесь технические характеристики и комплектацию изделия без предварительного уве-

домления.

Комплект поставки

Наименование	PST20H-30/625A
Аккумуляторный степлер	1 шт
Аккумуляторная батарея (2Ач)	-
Зарядное устройство	-
Скобы	500 шт
Гвозди	500 шт
Шестигранный ключ	1 шт
Инструкция пользователя	1 шт

Примечание

Так как изделие постоянно совершенствуется, P.I.T. оставляет за собой право на внесение изменений в указанные здесь технические характеристики и комплектацию изделия без предварительного уведомления.

Использование

Загрузка скоб/гвоздей

- ▶ Наклоните инструмент или положите его набок, чтобы скобы или гвозди не выпали во время загрузки.
- ▶ Нажмите защелку (А), вытягивая слайдер (В) назад.
- ▶ Поместите скобы/гвозди в магазин (С) (максимальная вместимость 90 гвоздей).
- ▶ Задвиньте слайдер (В) до щелчка.

ВНИМАНИЕ!

Убедитесь, что:

- ▶ Скобы загружены скругленной частью в верхнюю часть магазина (С рис. 6).
- ▶ Гвозди загружены острым концом по нижней части магазина (С рис. 7), так что головка гвоздя вставляется в пазы, соответствующие длине гвоздя.
- ▶ Задвиньте слайдер (В) до щелчка.

Работа с инструментом

- ▶ Надежно прижмите контактный пускатель (D рис. 8) к заготовке. Правильную установку степлера подтвердит свечение светодиода.
- ▶ Кратко нажмите на выключатель (F), а затем снова отпустите.
- ▶ Выключатель (F) блокируется до тех пор, пока вы не прижмете контактный пускатель D к заготовке, тем самым предотвращая случайное срабатывание.
- ▶ При работе в режиме 20 выстрелов в

минуту степлеру необходимо давать остыть через 30 минут работы, так как он рассчитан только на кратковременную работу.

- ▶ Вынимайте все скобы/гвозди из магазина после каждого использования.

Регулировка силы удара

С помощью ручки (G рис. 9) можно ступенчато регулировать требуемый уровень удара.

- ▶ Значение на ручке (G) показывает выбранную силу удара.
- ▶ «-» для тонких и легких материалов, таких как фольга и ткани.
- ▶ «+» - для толстых и прочных материалов, таких как твердая древесина и стены.
- ▶ Прежде чем приступить к работе, определите оптимальный уровень удара, проведя испытания на запасных материалах.
- ▶ **Удаляйте все скрепки/гвозди из магазина после каждого использования.**

Рекомендации по применению

- ▶ Крепежные панели.
- ▶ Не используйте инструмент для крепления потолочных панелей к профилированной древесине или пазам.
- ▶ Крепление текстиля.
- ▶ Избегайте холостых выстрелов, чтобы уменьшить износ ударного механизма.

Забивка гвоздей (рис. 17)

- ▶ Твердость древесины делится на 3 уровня:
 - Высокий уровень
 - Средний уровень
 - Низкий уровень
- ▶ Гвозди различной длины применимы для древесины различной твердости.
- ▶ Инструмент имеет отдачу при ударе, поэтому для лучшего контроля над ним рекомендуется работать двумя руками.

Извлечение застрявших скоб/гвоздей

- ▶ Чтобы извлечь застрявшие скобы/гвозди следуйте этой инструкции
- ▶ Перед извлечением обязательно снимите аккумуляторную батарею
 - Снимите защитный колпачок I (рис. 13).
 - Извлеките болты крепления пластины С1.
 - Снимите крепление предохранительного механизма пластины С2.
 - Снимите стопорную пластину с бойка С3.

- ▶ Обращайте внимание на местоположение и порядок удаляемых частей механизма, это облегчит обратную сборку инструмента.

Аккумуляторная батарея

- ▶ В инструменте используется батарея на 20В. При заказе сменных блоков питания обязательно указывайте номер по каталогу и напряжение.

Установка батареи

- ▶ Совместите направляющие слоты на батарее и базе инструмента. Задвиньте аккумуляторный блок на место до щелчка. Полную схему смотрите на рисунке 14.
- ▶ Чтобы достать батарею из инструмента, нажмите кнопку на корпусе аккумулятора и потяните батарею до полного извлечения.

Зарядка батареи

- ▶ Оптимальное время для зарядки батареи – 1 час.
- ▶ Ознакомьтесь со всеми инструкциями по безопасности перед использованием батареи.
- ▶ Самостоятельное обслуживание батареи запрещено. Обслуживание батареи производится только в авторизованных сервисных центрах во избежание повреждений.
- ▶ Прочтите всю инструкцию в разделе «Зарядное устройство», прежде чем заряжать аккумуляторную батарею для данного инструмента.
- ▶ Всегда используйте оригинальную аккумуляторную батарею (из комплекта или такого же сменного блока). Никогда не используйте другую батарею. Это может повредить инструмент, негативно сказаться на его службе, а также аннулировать вашу гарантию.

Процесс зарядки

Зарядное устройство не требует регулировки и спроектировано так, чтобы сделать процесс зарядки инструмента как можно более простым.

- ▶ Подключите зарядное устройство к сети питания.
- ▶ Установите аккумуляторный блок на зарядное устройство. Убедитесь, что батарея полностью вставлена в зарядное устройство. Если процесс зарядки начался, загорится красный светодиод.
- ▶ Батарея полностью зарядится в течение 1 часа. Когда процесс зарядки завер-

шится, загорится зеленый светодиод.

Обратите внимание

- ▶ Зарядка аккумуляторной батареи при температуре воздуха от 18 до 24°C (от 65°F до 75°F) способствует большему сроку службы и лучшей производительности.
- ▶ Не заряжайте аккумуляторную батарею при температуре воздуха ниже 10°C (50°F) или выше 40°C (104°F). Это важная рекомендация, которая поможет предотвратить серьезные повреждения батареи.
 - В процессе зарядки батарея может нагреваться. Это нормально.
 - По возможности используйте аккумуляторную батарею при нормальной температуре. Избегайте перегрева. Не накрывайте зарядное устройство и не заряжайте аккумуляторы при прямом солнечном свете или вблизи источников тепла.

Скоба для подвешивания

Скоба удобна, когда нужно временно подвесить инструмент. Она может быть установлена с одной стороны инструмента (рис. 15).

Если вы хотите временно повесить инструмент: убедитесь, что ваши пальцы не находятся на выключателе, а гвозди и аккумуляторная батарея сняты.

Шестигранный ключ

Когда шестигранный ключ не используется, храните его, как показано на рисунке 16, чтобы не потерять.

Хранение и транспортировка

- ▶ Установленный срок хранения машины составляет 2 года.
- ▶ Во время установленного срока храните машину при температуре окружающей среды от 0°C до плюс 40°C и относительной влажности воздуха не более 80%.
- ▶ Транспортировку машины осуществляйте только в фирменной упаковке.
- ▶ Перед упаковкой снимите аккумулятор и извлеките скобы/гвозди.

Утилизация

Отслужившие свой срок электроинструменты, принадлежности и упаковку следует сдавать на экологически чистую переработку отходов.



Утилизируйте электроинструмент

отдельно от бытового мусора!

РАСШИФРОВКА ДАТЫ ИЗГОТОВЛЕНИЯ ИЗДЕЛИЯ

№.

1	7	0	7	3	0	0	3	9	5
---	---	---	---	---	---	---	---	---	---

год месяц день

Дата изготовления изделия зашифрована в серийном номере, напечатанном на корпусе инструмента. Первые 2 цифры обозначают год выпуска, следующие 2 цифры – месяц и следующие 2 цифры – день.

УСЛОВИЯ ГАРАНТИЙНОГО ОБСЛУЖИВАНИЯ

1. Настоящее гарантийное свидетельство является единственным документом, подтверждающим ваше право на бесплатное гарантийное обслуживание. Без предъявления данного свидетельства претензии не принимаются. В случае утери или порчи гарантийное свидетельство не восстанавливается.

2. Гарантийный срок на электроинструмент, а также зарядные устройства и аккумуляторные батареи серии OnePower составляет 12 месяцев со дня продажи, в течение гарантийного срока сервисная служба бесплатно устраняет производственные дефекты и производит замену деталей, вышедших из строя по вине изготовителя. На период гарантийного ремонта эквивалентный исправный инструмент не предоставляется. Заменяемые детали переходят в собственность служб сервиса.

Компания P.I.T. не несет ответственности за вред, который может быть причинен при работе с электроинструментом.

3. В гарантийный ремонт инструмент принимается в чистом виде, при обязательном наличии надлежащим образом оформленных документов: настоящего гарантийного свидетельства, гарантийного талона, с полностью заполненными полями, штампом торговой организации и подписью покупателя.

4. Гарантийный ремонт не производится в следующих случаях:

- при отсутствии гарантийного свидетельства и гарантийного талона или неправильном их оформлении;
- при совместном выходе из строя якоря и

статора электродвигателя, при обугливание или оплавлении первичной обмотки трансформатора сварочного аппарата, зарядного или пуско-зарядного устройства, при оплавлении внутренних деталей, прожиге электронных плат;

- если гарантийное свидетельство или талон не принадлежат данному электроинструменту или не соответствует установленному поставщиком образцу;

- по истечении срока гарантии;

- при попытках самостоятельного вскрытия или ремонта электроинструмента вне гарантийной мастерской;

- внесения конструктивных изменений и смазки инструмента в гарантийный период, о чем свидетельствуют, например, заломы на шлицевых частях крепежа корпусных деталей.

- при использовании электроинструмента в производственных или иных целях, связанных с получением прибыли, а также при возникновении неисправностей связанных с нестабильностью параметров электросети, превышающих нормы, установленные ГОСТ;

- при неправильной эксплуатации (использование электроинструмента не по назначению, установки на электроинструмент не предназначенных заводом-изготовителем насадок, дополнительных приспособлений и т.п.;

- при механических повреждениях корпуса, сетевого шнура и при повреждениях, вызванных воздействиями агрессивных средств и высоких и низких температур, попадании инородных предметов в вентиляционные решетки электроинструмента, а также при повреждениях, наступивших в результате неправильного хранения (коррозия металлических частей);

- при естественном износе деталей электроинструмента, в результате длительной эксплуатации (определяется по признакам полной или частичной выработки ресурса, сильного загрязнения, ржавчины снаружи и внутри электроинструмента, отработанной смазки в редукторе);

- использование инструмента не по назначению, указанному в инструкции по эксплуатации.

- при механических повреждениях инструмента;

- при возникновении повреждений в связи с несоблюдением предусмотренных инструкцией условий эксплуатации (см. главу

«Указание по технике безопасности» в инструкции).

- повреждение изделия вследствие несоблюдения правил хранения и транспортировки.

Профилактическое обслуживание электроинструмента (чистка, промывка, смазка, замена пыльников, поршневых и уплотнительных колец) в гарантийный период является платной услугой.

Срок службы изделия установлен изготовителем и составляет 2 года со дня изготовления.

О возможных нарушениях, изложенных выше условий гарантийного обслуживания, владельцу сообщается после проведения диагностики в сервисном центре.

Владелец инструмента доверяет проведение диагностики в сервисном центре в свое отсутствие.

Запрещается эксплуатация электроинструмента при проявлении признаков повышенного нагрева, искрения, а также шума в редукторной части. Для выяснения причин неисправности покупателю следует обратиться в гарантийную мастерскую.

Неисправности, вызванные несвоевременной заменой угольных щеток двигателя, устраняются за счет покупателя.

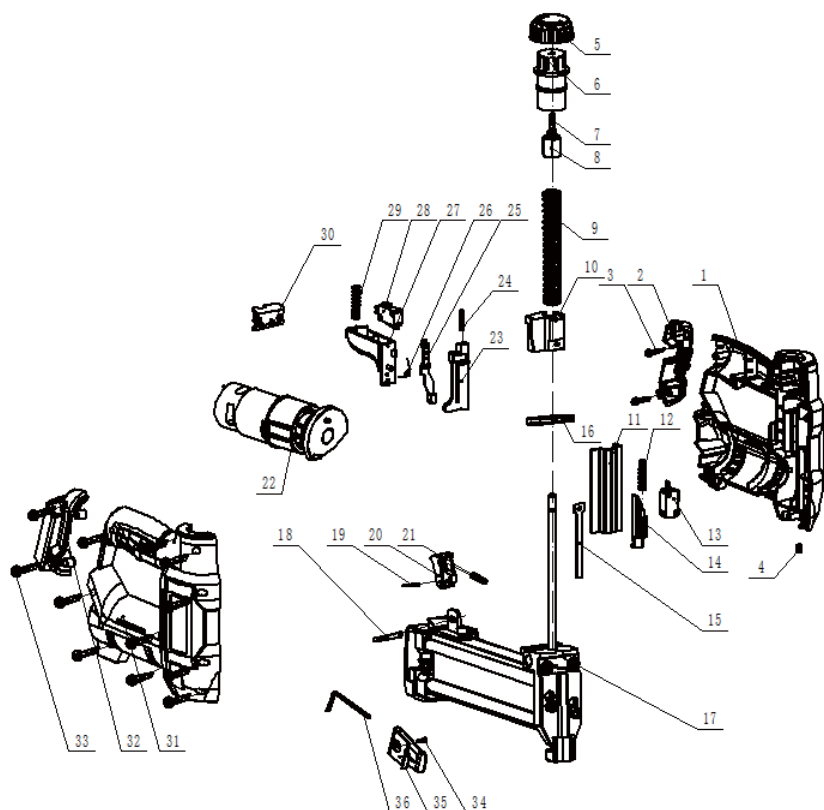
5.Гарантия не распространяется на:

- сменные принадлежности (аксессуары и оснастка), например: аккумуляторы, диски, ножи, сверла, буры, патроны, цепи, звездочки, канговые зажимы, шины, элементы натяжения и крепления, головки триммеров, подошвы шлифовальных и ленточных машин, фильтры, головки шестигранные и т.п.

- быстроизнашивающиеся детали, например: угольные щетки, приводные ремни, сальники, защитные кожухи, направляющие ролики, направляющие, резиновые уплотнения, подшипники, зубчатые ремни и колеса, стволы, ленты тормоза, храповики и тросы стартеров, поршневые кольца и т.п.

Замена их в течение гарантийного срока является платной услугой.

-шнуры питания, в случае повреждения изоляции, шнуры питания подлежат обязательной замене без согласия владельца (услуга платная), в т.ч. корпуса инструмента.



P.I.T. WARRANTY CERTIFICATE

Product Name _____
Product Serial Number
Battery Serial Number
Charger Serial Number
Sale Date _____
Trade Organization Name _____



Dear customer!

Thank you for purchasing the P.I.T tool, and we hope that you will be satisfied with your choice. In the process of manufacturing the P.I.T tools pass multilevel quality control, if nevertheless your product will need maintenance, please contact the authorized P.I.T service centers.

Attention!

When buying, ask a seller to check the completeness and operability of the tool, to fill out the Warranty Certificate, the Warranty Card (the boxes shall be filled out by a seller) and to affix the seal of the trade organization in the Guarantee Certificate and the Warranty Card.

Warranty

By this Warranty Certificate, P.I.T. company guarantees the absence of defects of the production nature.

In the event any of the above defects are detected during the warranty period, the specialized P.I.T. service centers shall repair the product and replace the defective spare parts free of charge.

The warranty period for P.I.T. electric machines is 12 months from the date of sale.

"The warranty maintenance terms acknowledged and accepted. The operability and completeness of the product are checked in my presence. No claims on quality and appearance."

Buyer's Signature _____ Surname (legibly) _____

Phone _____

ГАРАНТИЙНОЕ СВИДЕТЕЛЬСТВО НА ИНСТРУМЕНТ P.I.T.

Наименование изделия _____

Серийный номер изделия Серийный номер аккумулятора Серийный номер зарядного устройства

Дата продажи « ____ » _____

Наименование торговой организации _____

Уважаемый покупатель!

М.П.

Благодарим Вас за покупку инструмента P.I.T. и надеемся, что Вы останетесь довольны своим выбором.

При необходимости обслуживания Вашего изделия обращайтесь в авторизованные сервисные центры P.I.T. Все сервисные центры представлены на сайте www.pittools.ru

Внимание!

При покупке требуйте у продавца проверки работоспособности инструмента и его комплектности, а также заполнения гарантийного свидетельства, гарантийного талона (графы «Заполняются продавцом») и простановки печати торговой организации в гарантийном свидетельстве и гарантийных талонах.

Гарантия

На основании данного гарантийного свидетельства компания P.I.T. гарантирует отсутствие дефектов производственного характера.

Если в течение гарантийного срока в Вашем изделии обнаружатся указанные дефекты, то специализированные сервисные центры P.I.T. бесплатно отремонтируют изделие и заменят дефектные запасные части.

Гарантийный срок на электроинструменты P.I.T. составляет 12 месяцев со дня продажи.

«С условиями гарантийного обслуживания ознакомлен(а). Работоспособность и комплектность изделия проверены в моем присутствии. Претензий к качеству и внешнему виду не имею».

Подпись покупателя _____ Фамилия (разборчиво) _____

Телефон _____

P.I.T. WARRANTY CARD

		P.I.T. [®]		№ 1	
Name	_____	Name	_____		
Product Serial Number	_____	Product Serial Number	_____		
Battery Serial Number	_____	Battery Serial Number	_____		
Charger Serial Number	_____	Charger Serial Number	_____		
Sale Date	_____ 20__	Sale Date	_____ 20__		Place of Seal
Date of Receipt from Repair	_____ 20__	(Filled out by a Seller)			
		WARRANTY REPAIR CARD			
		Date of Acceptance for Repair	_____ 20__		
		Application for Repair	_____		
		Customer	_____		
		Phone (Address)	_____		
		Cause of Application	_____		
		Date of Receipt from Repair	_____ 20__		
		The Tool is checked in my presence	_____		
		(The Order shall be performed in a Service Center) (Signature)			

		P.I.T. [®]		№ 2	
Name	_____	Name	_____		
Product Serial Number	_____	Product Serial Number	_____		
Battery Serial Number	_____	Battery Serial Number	_____		
Charger Serial Number	_____	Charger Serial Number	_____		
Sale Date	_____ 20__	Sale Date	_____ 20__		Place of Seal
Date of Receipt from Repair	_____ 20__	(Filled out by a Seller)			
		WARRANTY REPAIR CARD			
		Date of Acceptance for Repair	_____ 20__		
		Application for Repair	_____		
		Customer	_____		
		Phone (Address)	_____		
		Cause of Application	_____		
		Date of Receipt from Repair	_____ 20__		
		The Tool is checked in my presence	_____		
		(The Order shall be performed in a Service Center) (Signature)			

		P.I.T. [®]		№ 3	
Name	_____	Name	_____		
Product Serial Number	_____	Product Serial Number	_____		
Battery Serial Number	_____	Battery Serial Number	_____		
Charger Serial Number	_____	Charger Serial Number	_____		
Sale Date	_____ 20__	Sale Date	_____ 20__		Place of Seal
Date of Receipt from Repair	_____ 20__	(Filled out by a Seller)			
		WARRANTY REPAIR CARD			
		Date of Acceptance for Repair	_____ 20__		
		Application for Repair	_____		
		Customer	_____		
		Phone (Address)	_____		
		Cause of Application	_____		
		Date of Receipt from Repair	_____ 20__		
		The Tool is checked in my presence	_____		
		(The Order shall be performed in a Service Center) (Signature)			

ГАРАНТИЙНЫЙ ТАЛОН P.I.T.

P.I.T.[®] Талон № 1

Наименование _____
 Серийный номер изделия _____
 Серийный номер аккумулятора _____
 Серийный номер зарядного устройства _____
 Дата продажи « _____ » _____ 20__

МП

(Заполняется продавцом)
КАРТА ГАРАНТИЙНОГО РЕМОНА
 Дата приема ремонт _____ 20__
 Заявка на ремонт _____
 Заказчик _____
 Телефон (адрес) _____
 Причина обращения _____
 Дата получения от ремонта _____ 20__
 Инструмент проверен в моем присутствии _____
 (Заполняется в Сервисном центре) (Подпись) _____

Наименование _____
 Серийный номер изделия _____
 Серийный номер аккумулятора _____
 Серийный номер зарядного устройства _____
 Дата продажи _____ 20__
 Дата получения от ремонта _____ 20__

P.I.T.[®] Талон № 2

Наименование _____
 Серийный номер изделия _____
 Серийный номер аккумулятора _____
 Серийный номер зарядного устройства _____
 Дата продажи « _____ » _____ 20__

МП

(Заполняется продавцом)
КАРТА ГАРАНТИЙНОГО РЕМОНА
 Дата приема ремонт _____ 20__
 Заявка на ремонт _____
 Заказчик _____
 Телефон (адрес) _____
 Причина обращения _____
 Дата получения от ремонта _____ 20__
 Инструмент проверен в моем присутствии _____
 (Заполняется в Сервисном центре) (Подпись) _____

Наименование _____
 Серийный номер изделия _____
 Серийный номер аккумулятора _____
 Серийный номер зарядного устройства _____
 Дата продажи _____ 20__
 Дата получения от ремонта _____ 20__

P.I.T.[®] Талон № 3

Наименование _____
 Серийный номер изделия _____
 Серийный номер аккумулятора _____
 Серийный номер зарядного устройства _____
 Дата продажи « _____ » _____ 20__

МП

(Заполняется продавцом)
КАРТА ГАРАНТИЙНОГО РЕМОНА
 Дата приема ремонт _____ 20__
 Заявка на ремонт _____
 Заказчик _____
 Телефон (адрес) _____
 Причина обращения _____
 Дата получения от ремонта _____ 20__
 Инструмент проверен в моем присутствии _____
 (Заполняется в Сервисном центре) (Подпись) _____

Наименование _____
 Серийный номер изделия _____
 Серийный номер аккумулятора _____
 Серийный номер зарядного устройства _____
 Дата продажи _____ 20__
 Дата получения от ремонта _____ 20__



Поставщик / производитель: Xinjiang Longbo Industrial Co., Ltd./Синзянь Лонгбо Индастриал Ко., Лтд.

Адрес производства: Rm. 602, 6th Floor, No. 531, Weixing Road, Economic And Technological Development Zone, Urumqi, Xinjiang, China / Оф.602, 6 этаж, №531, Вейшинг Рoad, Экономик Энд Технолджикал Девелопмент Зон, Урумчи, Синзянь, Китай

Импортер/ организация, уполномоченная принимать претензии: ООО «Турбо-Тулс»

Юридический адрес: 614058, Пермский край, г. Пермь, ул. Фоминская, 36
info@pittools.ru

Сделано в КНР / Made in China

