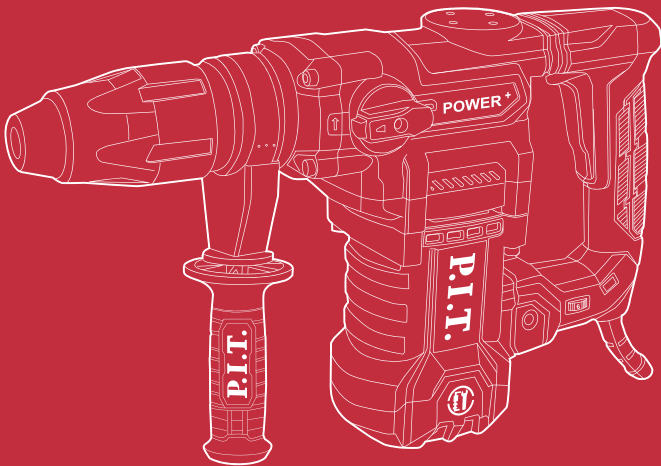


P.I.T.

PBH40-C2

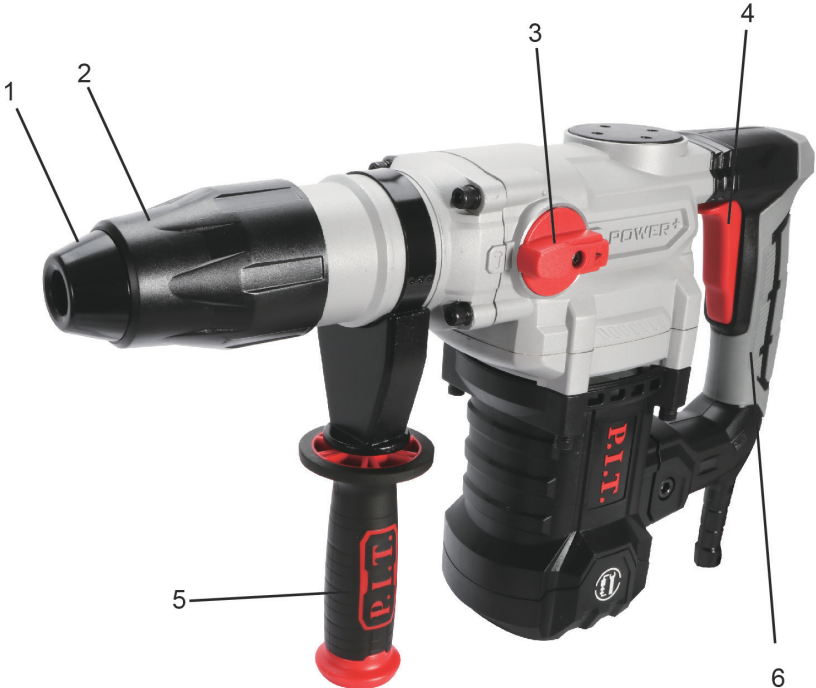


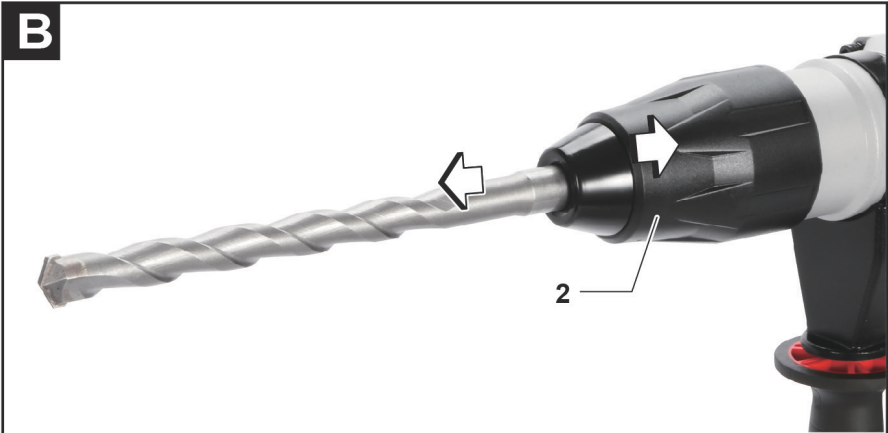
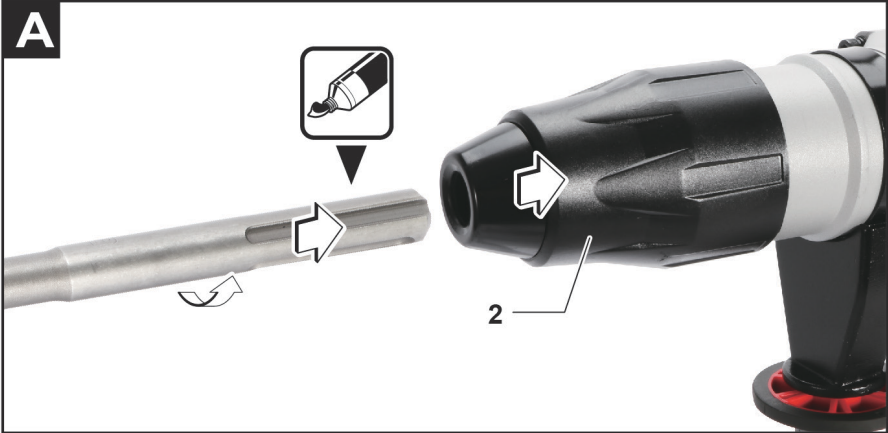
ELECTRIC HAMMER DRILL ПЕРФОРАТОР

1600W **Powerful
Efficient**

Please read the instruction manual carefully before use!
Пожалуйста, внимательно прочтите инструкцию перед использованием!








English

Safety Notes

General Power Tool Safety Warnings

 **WARNING** Read all safety warnings and all instructions. Failure to follow the warnings and instructions may result in electric shock, fire and/or serious injury.

Save all warnings and instructions for future reference.

The term "power tool" in the warnings refers to your mainsoperated(corded) power tool or battery-operated (cordless) power tool.

Work area safety

- ▶ **Keep work area clean and well lit.** Cluttered or dark areas invite accidents.
- ▶ **Do not operate power tools in explosive atmospheres, such as in the presence of flammable liquids, gases or dust.** Power tools create sparks which may ignite the dust or fumes.
- ▶ **Keep children and bystanders away while operating a power tool.** Distractions can cause you to lose control.

Electrical safety

- ▶ **Power tool plugs must match the outlet. Never modify the plug in any way.** Do not use any adapter plugs with earthed (grounded) power tools. Unmodified plugs and matching outlets will reduce risk of electric shock.
- ▶ **Avoid body contact with earthed or grounded surfaces, such as pipes, radiators, ranges and refrigerators.** There is an increased risk of electric shock if your body is earthed or grounded.
- ▶ **Do not expose power tools to rain or wet conditions.** Water entering a power tool will increase the risk of electric shock.
- ▶ **Do not abuse the cord. Never use the cord for carrying, pulling or unplugging the power tool.** Keep cord away from heat, oil, sharp edges or moving parts. Damaged or entangled cords increase the risk of electric shock.
- ▶ **When operating a power tool outdoors, use an extension cord suitable for outdoor use.** Use of a cord suitable for outdoor use reduces the risk of electric shock..
- ▶ **If operating a power tool in a damp location is unavoidable, use a residual current device (RCD) protected supply.** Use of an RCD reduces the risk of electric

shock.

Personal safety

- ▶ **Stay alert, watch what you are doing and use common sense when operating a power tool.** Do not use a power tool while you are tired or under the influence of drugs, alcohol or medication. A moment of inattention while operating power tools may result in serious personal injury.
 - ▶ **Use personal protective equipment. Always wear eye protection.** Protective equipment such as dust mask, non-skid safety shoes, hard hat, or hearing protection used for appropriate conditions will reduce personal injuries.
 - ▶ **Prevent unintentional starting. Ensure the switch is in the off-position before connecting to power source and/or battery pack, picking up or carrying the tool.** Carrying power tools with your finger on the switch or energizing power tools that have the switch on invites accidents.
 - ▶ **Remove any adjusting key or wrench before turning the power tool on.** A wrench or a key left attached to a rotating part of the power tool may result in personal injury.
 - ▶ **Do not overreach. Keep proper footing and balance at all times.** This enables better control of the power tool in unexpected situations.
 - ▶ **Dress properly. Do not wear loose clothing or jewellery.** Keep your hair, clothing and gloves away from moving parts. Loose clothes, jewellery or long hair can be caught in moving parts.
 - ▶ **If devices are provided for the connection of dust extraction and collection facilities, ensure these are connected and properly used.** Use of dust collection can reduce dust-related hazards.
- #### Power tool use and care
- ▶ **Do not force the power tool. Use the correct power tool for your application.** The correct power tool will do the job better and safer at the rate for which it was designed.
 - ▶ **Do not use the power tool if the switch does not turn it on and off.** Any power tool that cannot be controlled with the switch is dangerous and must be repaired.
 - ▶ **Disconnect the plug from the power source and/or the battery pack from the power tool before making any adjustments, changing accessories, or stor-**

ing power tools. Such preventive safety measures reduce the risk of starting the power tool accidentally.

- ▶ **Store idle power tools out of the reach of children and do not allow persons unfamiliar with the power tool or these instructions to operate the power tool.** Power tools are dangerous in the hands of untrained users.
- ▶ **Maintain power tools. Check for misalignment or binding of moving parts, breakage of parts and any other condition that may affect the power tool's operation.** If damaged, have the power tool repaired before use. Many accidents are caused by poorly maintained power tools.
- ▶ **Keep cutting tools sharp and clean.** Properly maintained cutting tools with sharp cutting edges are less likely to bind and are easier to control.
- ▶ The tool is not intended for use by persons (including children) with reduced physical, sensory or mental capabilities, or lack of experience or knowledge, unless they have been supervised or instructed in the use of the tool by a person responsible for their safety.
- ▶ **Use the power tool, accessories and tool bits etc. in accordance with these instructions, taking into account the working conditions and the work to be performed.** Use of the power tool for operations different from those intended could result in a hazardous situation.

Service

- ▶ **Have your power tool serviced by a qualified repair person using only identical replacement parts.** This will ensure that the safety of the power tool is maintained.

Hammer Safety Warnings

- ▶ **Wear ear protectors.** Exposure to noise can cause hearing loss.
- ▶ **Use auxiliary handle(s), if supplied with the tool.** Loss of control can cause personal injury.
- ▶ **Hold power tool by insulated gripping surfaces, when performing an operation where the cutting accessory may contact hidden wiring or its own cord.** Cutting accessory contacting a "live" wire may make exposed metal parts of the power tool "live" and could give the operator an electric shock.
- ▶ **Use suitable detectors to determine if**

utility lines are hidden in the work area or call the local utility company for assistance. Contact with electric lines can lead to fire and electric shock. Damaging a gas line can lead to explosion. Penetrating a water line causes property damage or may cause an electric shock.

- ▶ **When working with the machine, always hold it firmly with both hands and provide for a secure stance.** The power tool is guided more secure with both hands.
- ▶ **Secure the workpiece.** A workpiece clamped with clamping devices or in a vice is held more secure than by hand.
- ▶ **Always wait until the machine has come to a complete stop before placing it down.** The tool insert can jam and lead to loss of control over the power tool.

Before switching on the power tool, make sure that the tool can turn freely. When turning on an electric tool with a jammed working tool, large reaction moments occur.

When jamming the working tool, turn off the power tool. Eliminate the cause of jamming of the working tool.

- ▶ **Installing the SDS-plus working tool: Check the fixation by trying to pull out the working tool. For impact-free drilling in wood, metal, ceramics and synthetic materials, as well as for screw-driving, use tools without SDS-plus (e.g. drills with cylindrical shank).** These tools require a keyless or toothed chuck.

If the dust cap is damaged, it must be replaced immediately. The dust cap prevents drilling dust from entering the chuck. When installing the operating tool, be careful not to damage the dust cap.

- ▶ **Dust from materials such as lead paint, certain types of wood, minerals and metals can be harmful to your health and cause allergic reactions, respiratory problems and/or cancer.** Have asbestos-containing material handled only by specialists.
- If possible, use a vacuum cleaner suitable for the material.
- Ventilate the workplace well.
- It is recommended to use a respiratory mask with a class P2 filter. Observe the regulations valid in your country for the materials to be processed.
- ▶ **Avoid accumulation of dust in the workplace.** Dust can be easily ignited.
- ▶ **To save energy, switch on the power**

tool only when you are about to use it.

Product Description and Specifications



Read all safety warnings and all instructions. Failure to follow the warnings and instructions may result in electric shock, fire and/or serious injury.

Intended Use

The machine is intended for hammer drilling in concrete, brick and stone as well as for chiselling.

Product Features

The numbering of the product features refers to the illustration of the machine on the graphics page.

- 1 Dust protection cap
- 2 Locking sleeve
- 3 Mode selector switch
- 4 On/Off switch
- 5 Auxiliary handle (insulated gripping surface)
- 6 Handle (insulated gripping surface)

Technical parameter

Model	PBH40-C2
Rated voltage	220 V~/50 Hz
Rated output power	1600 W
Rated speed	630 r/min
Impact frequency	3800 ipm
Impact	9 J
Drilling diameter	Ø42 mm
Weight	7 Kg

Contents of delivery

- Electric hammer drill 1 pc
- Sharp chisel 1 pc
- Drill bits 1 pc
- Wrench 1 pc
- Auxiliary handle 1 pc
- Lubricant for gearbox 1 pc
- Carbon brush 1 pair
- Instruction manual 1 pc

Note

Technical errors and typographical errors may be made in the text and numerical designations of the instructions.

Since the product is constantly being improved, P.I.T. reserves the right to make changes to the specifications and product specifications specified here without prior notice.

Assembly

- ▶ **Before any work on the machine itself, pull the mains plug.**

Auxiliary Handle

- ▶ **Operate your machine only with the auxiliary handle. The auxiliary handle can be set to any position for a secure and low-fatigue working posture.**

- Turn the bottom part of the auxiliary handle in counterclockwise direction and swivel the auxiliary handle to the desired position. Then retighten the bottom part of the auxiliary handle by turning in clockwise direction.

Changing the Tool

The SDS-max drill chuck allows for simple and convenient changing of drilling tools without the use of additional tools.

The dust protection cap largely prevents the entry of drilling dust into the tool holder during operation. When inserting the tool, take care that the dust protection cap is not damaged.

- ▶ **A damaged dust protection cap should be changed immediately.** We recommend having this carried out by an after-sales service.

Inserting (see figure A)

- Clean and lightly grease the shank end of the tool.
- Push back the locking sleeve and insert the tool in a twisting manner into the tool holder. Release the locking sleeve again in order to lock the tool.
- Check the latching by pulling the tool.

Removing (see figure B)

- Push back the locking sleeve and remove the tool.

Dust/Chip Extraction

Dusts from materials such as lead-containing coatings, some wood types, minerals and metal can be harmful to one's health. Touching or breathing-in the dusts can cause allergic reactions and/or lead to respiratory infections of the user or bystanders.

Certain dusts, such as oak or beech dust, are considered as carcinogenic, especially in connection with wood-treatment additives (chromate, wood preservative). Materials containing asbestos may only be worked by specialists.

- Provide for good ventilation of the working place.
- It is recommended to wear a P2 filter-class respirator.

Observe the relevant regulations in your country for the materials to be worked.

Operation

Starting Operation

- ▶ Observe correct mains voltage! The voltage of the power source must agree with the voltage specified on the nameplate of the machine.

Setting the operating mode

The operating mode of the power tool is selected with the mode selector switch.

Note: Change the operating mode only when the machine is switched off! Otherwise, the machine can be damaged.

- Turn the mode selector switch to the requested position.

Position for hammer drilling in concrete or stone

When the drilling tool does not immediately rotate upon switching on, allow the machine to run slowly until the drilling tool rotates.

Position for chiselling

Switching On and Off

- To start the machine, press the On/Off switch and keep it pressed.
- To switch off the machine, release the On/Off switch.

For low temperatures, the machine reaches the full hammer/ impact capacity only after a certain time.

This start-up time can be shortened by striking the inserted tool insert against the floor one time.

Safety Clutch

- ▶ **If the tool insert becomes caught or jammed, the drive to the drill spindle is interrupted.** Because of the forces that occur, always hold the power tool firmly with both hands and provide for a secure stance.
- ▶ **If the power tool jams, switch the machine off and loosen the tool insert. When switching the machine on with the drilling tool jammed, high reaction torques can occur.**

Working Advice

- ▶ Before any work on the machine itself, pull the mains plug.

Maintenance and Service

Maintenance and Cleaning

- ▶ **Before any work on the machine itself, pull the mains plug.**
- ▶ **For safe and proper working, always keep the machine and ventilation slots clean.**

- ▶ **A damaged dust protection cap should be changed immediately. We recommend having this carried out by an after-sales service.**

- ▶ **Gearbox lubrication interval. This rock drill does not require hourly or daily lubrication, as its gearbox is filled with the required amount of grease at the factory. However, after 200 hours - with intensive work, or once every 6 months - with rare use, it is necessary to change the lubricant in the rock drill gearbox. We recommend that this maintenance operation be carried out at an authorized service center of the company, since disassembly of the perforator and flushing of the gear and shock-compression mechanism of the gearbox is required.**

When the battery is no longer operative, please refer to an authorised after-sales service agent for P.I.T. power tools.

Service

- ▶ Have your power tool repaired only by qualified personnel using original spare parts. This ensures the safety of the power tool.

A list of authorized service centers can be found on the official website of P.I.T. link: <https://pittools.ru/services/>

Storage and transportation

Store the tool in closed rooms with natural ventilation in the package at air temperature from -10°C to +50°C and air humidity not more than 80%.

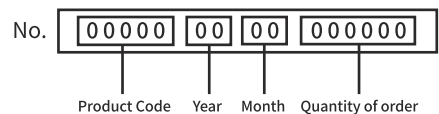
Products can be transported by any type of closed transport in the manufacturer's packaging or without it, while preserving the product from mechanical damage, precipitation. Remove the battery and replacement tool from the tool before transporting.

Dispose of waste

Damaged power tools, batteries, accessories and waste packaging materials must be recycled and reused in an environmentally friendly manner.

Do not throw power tools and accumulators / batteries into general household waste!

Product serial number interpretation



The date of manufacture of the product is encoded in the serial number printed on the body of the tool. The first 2 digits indicate the year of issue, the next 2 digits indicate the month.

TERMS OF WARRANTY SERVICE

To customers (users) of warranty service:

1. This warranty certificate is the only document that confirms your right to free warranty service. If this proof is not presented, no claims will be accepted. Warranty certificates cannot be recovered if lost or damaged.

2. It is required to provide a valid and legal document for purchasing the product. The document must have the name or seal of the sales company; at the same time, state the full model name of the purchased P.I.T. product, the serial number on the nameplate of the fuselage, and the date of purchase, and the required warranty. The whole machine and its accessories.

The warranty period:

1. The warranty period of the product is 12 months from the date of sale. During the warranty period, the service department will eliminate manufacturing defects free of charge and replace the parts that fail due to the manufacturer's fault. In warranty repair, an equivalent operable product is not provided. Replaceable parts become the property of the service provider.

2. The wear degree on the diameter of the motor rotor commutator is less than 0.4 mm (except for brushless motor tools), and the internal damage caused by the quality of the tool belongs to the warranty.

The following situations occur during the warranty period, which is not covered by the warranty:

1. In the absence of any valid legal documents (invoices) such as warranty certificates and warranty cards to prove the date of purchase.

2. Damage caused by natural wear and overload. (For example, motor rotor and stator failure caused by overload, scorching or melting of the primary winding of the welding machine transformer, charging or starting the charging device, melting of internal parts, burning of electronic circuit boards, etc.)

3. The casing and power cord are mechanically damaged, as well as damage caused by corrosive media and high and low temperature, foreign objects entering the ventilation network of the motor, and damage

caused by improper storage (corrosion of metal parts);

4. Damage caused by improper carrying, transportation and storage by users.

5. Products that are opened, repaired, replaced or modified by users themselves.

6. Any damage caused by indiscriminate use, beyond the scope of use of the tool, and not in accordance with the instructions for use and maintenance. (see chapter "Safety Precautions" in the manual);

7. The damage caused by the following situations is not guaranteed due to improper use

and non-quality problems:

(1) When the power tool is running at high speed, use the braking device to forcibly stop the rotation.

(2) Excessive pressure is applied to the tool during the use of the tool.

(3) Use the tool outside the scope of its purpose and capabilities.

(4) Damage caused by the tool working in a dusty environment for a long time without timely maintenance of the tool.

(5) Change the rotation direction of the work head before the tool stops completely.

(6) Shock the battery or charger and replace the plug of the charger without permission, causing damage to the battery or charger.

(7) Damage caused by two-stroke gasoline tools not being fueled in the correct proportions.

The warranty does not include:

1. Replacement of accessories (accessories and components) such as batteries, discs, blades, drills, chucks, chains, sprockets, collet clamps, guide rails, tension and fastening elements, dresser heads, grinders And belt sander base machine, hexagonal head, etc.;

2. Wearing parts, such as: carbon brushes, transmission belts, seals, protective covers, guide rollers, guide rails, rubber seals, bearings, toothed belts and wheels, shanks, brake belts, starter ratchets and ropes, piston rings Wait.

The above accessories are replaced with paid services during the warranty period;

Русский

Указания по технике безопасности
Общие указания по технике безопасно-
сти для электроинструментов



ПРЕДУПРЕЖДЕНИЕ

Прочтите все указания и инструк-
ции по технике безопасности.

Несоблюдение указаний и инструкций по
технике безопасности может стать причи-
ной поражения электрическим током, пожа-
ра и тяжелых травм.

**Сохраняйте эти инструкции и указания
для будущего использования.**

Использованное в настоящих инструкциях
и указаниях понятие «электроинструмент»
распространяется на электроинструмент с
питанием от сети (с сетевым шнуром) и на
аккумуляторный электроинструмент (без
сетевго шнура).

Безопасность рабочего места

- ▶ Содержите рабочее место в чистоте и
хорошо освещенным. Беспорядок или
неосвещенные участки рабочего места
могут привести к несчастным случаям.
- ▶ Не работайте с этим электроинстру-
ментом во взрывоопасном помеще-
нии, в котором находятся горючие
жидкости, воспламеняющиеся газы
или пыль. Электроинструменты искрят,
что может привести к воспламенению
пыли или паров.
- ▶ Во время работы с электроинстру-
ментом не допускайте близко к Ва-
шему рабочему месту детей и посто-
ронних лиц. Отвлечшись, Вы можете
потерять контроль над электроинстру-
ментом.

Электробезопасность

- ▶ Штепсельная вилка электроинстру-
мента должна подходить к штепсель-
ной розетке. Ни в коем случае не
изменяйте штепсельную вилку. Не
применяйте переходные штекеры
для электроинструментов с защит-
ным заземлением. Неизменные
штепсельные вилки и подходящие
штепсельные розетки снижают риск по-
ражения электротоком.
- ▶ Предотвращайте телесный контакт
с заземленными поверхностями, как
то: с трубами, элементами отопления,
кухонными плитами и холодильника-
ми. При заземлении Вашего тела повы-
шается риск поражения электротоком.
- ▶ Защищайте электроинструмент от до-

жда и сырости. Проникновение воды
в электроинструмент повышает риск
поражения электротоком.

- ▶ Не разрешается использовать шнур
не по назначению, например, для
транспортировки или подвески элек-
троинструмента, или для вытягива-
ния вилки из штепсельной розетки.
Защищайте шнур от воздействия
высоких температур, масла, острых
кромок или подвижных частей элек-
троинструмента. Поврежденный или
спутанный шнур повышает риск пораже-
ния электротоком.
- ▶ При работе с электроинструментом
под открытым небом применяйте
пригодные для этого кабели удлин-
нители. Применение пригодного для
работы под открытым небом кабеля
удлинителя снижает риск поражения
электротоком.
- ▶ Если невозможно избежать приме-
нения электроинструмента в сыром
помещении, подключайте электроин-
струмент через устройство защитного
отключения. Применение устройст-
ва защитного отключения снижает риск
электрического поражения.

Безопасность людей

- ▶ Будьте внимательными, следите за
тем, что Вы делаете, и продуманно
начинайте работу с электроинстру-
ментом. Не пользуйтесь электроин-
струментом в усталом состоянии
или если Вы находитесь в состоянии
наркотического или алкогольного
опьянения или под воздействием ле-
карств. Один момент невнимательно-
сти при работе с электроинструментом
может привести к серьезным травмам.
- ▶ Применяйте средства индивидуаль-
ной защиты и всегда защитные очки.
Использование средств индивидуальной
защиты, как то: защитной маски, обуви
на нескользящей подошве, защитного
шлема или средств защиты органов
слуха, – в зависимости от вида работы
с электроинструментом снижает риск
получения травм.
- ▶ Предотвращайте непреднамеренное
включение электроинструмента.
Перед подключением электроин-
струмента к электропитанию и/или к
аккумулятору убедитесь в выключен-
ном состоянии электроинструмента.
Удержание пальца на выключателе при-

транспортировке и подключение к сети питания включенного электроинструмента чревато несчастными случаями.

- ▶ **Убирайте установочный инструмент или гаечные ключи до включения электроинструмента.** Инструмент или ключ, находящийся во вращающейся части электроинструмента, может привести к травмам.
- ▶ **Не принимайте неестественное положение корпуса тела. Всегда занимайте устойчивое положение и сохраняйте равновесие.** Благодаря этому Вы можете лучше контролировать электроинструмент в неожиданных ситуациях.
- ▶ **Носите подходящую рабочую одежду. Не носите широкую одежду и украшения. Держите волосы, одежду и рукавицы вдали от движущихся частей.** Широкая одежда, украшения или длинные волосы могут быть затянuty вращающимися частями.
- ▶ **При наличии возможности установки пылеотсасывающих и пылесборных устройств проверяйте их присоединение и правильное использование.** Применение пылесоса может снизить опасность, создаваемую пылью.
- ▶ **Хорошее знание электроинструментов, полученное в результате частого их использования, не должно приводить к самоуверенности и игнорированию техники безопасности обращения с электроинструментами.** Одно небрежное действие за долю секунды может привести к серьезным травмам.
- ▶ **ВНИМАНИЕ!** В случае возникновения перебоя в работе электроинструмента вследствие полного или частичного прекращения энергоснабжения или повреждения цепи управления энергоснабжением установите выключатель в положение Выкл., убедившись, что он не заблокирован (при его наличии). Отключите сетевую вилку от розетки или отсоедините съёмный аккумулятор. Этим предотвращается неконтролируемый повторный запуск.

Применение электроинструмента и обращение с ним

- ▶ **Не перегружайте электроинструмент. Используйте для Вашей работы предназначенный для этого электроинструмент.** С подходящим электроинструментом Вы работаете лучше и надежнее в указанном диапазоне мощ-

ности.

- ▶ **Не работайте с электроинструментом при неисправном выключателе.** Электроинструмент, который не поддается включению или выключению, опасен и должен быть отремонтирован.
- ▶ **До начала наладки электроинструмента, перед заменой принадлежностей и прекращением работы отключайте штепсельную вилку от розетки сети и/или выньте аккумулятор.** Эта мера предосторожности предотвращает непреднамеренное включение электроинструмента.
- ▶ **Храните электроинструменты в недоступном для детей месте. Не разрешайте пользоваться электроинструментом лицам, которые не знакомы с ним или не читали настоящих инструкций.** Электроинструменты опасны в руках неопытных лиц.
- ▶ **Тщательно ухаживайте за электроинструментом.** Проверяйте безупречную функцию и ход движущихся частей электроинструмента, отсутствие поломок или повреждений, отрицательно влияющих на функцию электроинструмента. Поврежденные части должны быть отремонтированы до использования электроинструмента. Плохое обслуживание электроинструментов является причиной большого числа несчастных случаев.
- ▶ **Держите режущий инструмент в заточенном и чистом состоянии.** Заботливо ухоженные режущие инструменты с острыми режущими кромками реже заклиниваются и их легче вести.
- ▶ **Держите ручки и поверхности захвата сухими и чистыми, следите чтобы на них чтобы на них не было жидкой или консистентной смазки.** Скользкие ручки и поверхности захвата препятствуют безопасному обращению с инструментом и не дают надежно контролировать его в непредвиденных ситуациях.
- ▶ **Инструмент не предназначен для использования лицами (включая детей) с пониженными физическими, чувственными или умственными способностями или при отсутствии у них опыта или знаний, если они не находятся под контролем или не проинструктированы об использовании инструмента лицом, ответственным за их безопасность.**

- ▶ Применяйте электроинструмент, принадлежности, рабочие инструменты и т. п. в соответствии с настоящими инструкциями. Учитывайте при этом рабочие условия и выполняемую работу. Использование электроинструментов для непредусмотренных работ может привести к опасным ситуациям.

Сервис

- ▶ Ремонт Вашего электроинструмента поручайте только квалифицированному персоналу и только с применением оригинальных запасных частей. Этим обеспечивается безопасность электроинструмента.

Указания по технике безопасности для перфораторов

- ▶ Применяйте средства защиты органов слуха. Воздействие шума может привести к потере слуха.
- ▶ Пользуйтесь дополнительными рукоятками, входящими в объем поставки электроинструмента. Потеря контроля может привести к телесным повреждениям.
- ▶ При выполнении работ, при которых рабочий инструмент или шуруп может задеть скрытую электропроводку или собственный шнур питания, держите электроинструмент за изолированные ручки. Контакт с находящейся под напряжением проводкой может заряжать металлические части электроинструмента и приводить к удару электрическим током.
- ▶ Используйте соответствующие металлоискатели для нахождения спрятанных в стене труб или проводки или обращайтесь за справкой в местное коммунальное предприятие. Контакт с электропроводкой может привести к пожару и поражению электротоком. Повреждение газопровода может привести к взрыву. Повреждение водопровода ведет к нанесению материального ущерба или может вызвать поражение электротоком.
- ▶ Всегда держите электроинструмент во время работы обеими руками, заняв предварительно устойчивое положение. Двумя руками Вы работаете более надежно с электроинструментом.
- ▶ Закрепляйте заготовку. Заготовка, установленная в зажимное приспособление или в тиски, удерживается более

надежно, чем в Вашей руке.

- ▶ Выждите полной остановки электроинструмента и только после этого выпускайте его из рук. Рабочий инструмент может заесть, и это может привести к потере контроля над электроинструментом.

Перед включением электроинструмента убедитесь в том, что рабочий инструмент может свободно вращаться. При включении электроинструмента с заклинившим рабочим инструментом возникают большие реакционные моменты.

При заклинивании рабочего инструмента выключите электроинструмент. Устраните причину заклинивания рабочего инструмента.

- ▶ Установка рабочего инструмента SDS-plus: Проверьте фиксацию попыткой вытянуть рабочий инструмент.

Для сверления без удара в древесине, металле, керамике и синтетическом материале, а также для заворачивания применяют инструменты без SDS-plus (например, сверла с цилиндрическим хвостовиком). Для этих инструментов требуется быстрозажимной патрон или патрон с зубчатым венцом.

При повреждении колпачка для защиты от пыли его необходимо немедленно заменить. Колпачок для защиты от пыли предотвращает проникновение образующейся при сверлении пыли в патрон. При установке рабочего инструмента следите за тем, чтобы не повредить колпачок для защиты от пыли.

- ▶ Пыль таких материалов, как, напр., свинцовосодержащие лакокрасочные покрытия, некоторые виды древесины, минералов и металла, может нанести вред Вашему здоровью и вызвать аллергические реакции, заболевания дыхательных путей и/или рак. Поручайте обработку содержащего асбест материала только специалистам.


- По возможности используйте пригодный для материала пылесос.
- Хорошо проветривайте рабочее место.
- Рекомендуется пользоваться респираторной маской с фильтром класса P2. Соблюдайте действующие в Вашей стране предписания для обрабатываемых материалов.

- ▶ Избегайте скопления пыли на рабочем месте. Пыль может легко воспла-

меняться.

- ▶ В целях экономии электроэнергии включайте электроинструмент только тогда, когда Вы собираетесь работать с ним.

Описание продукта и услуг

 Прочтите все указания и инструкции по технике безопасности.

Упущения в отношении указаний и инструкций по технике безопасности могут стать причиной поражения электрическим током, пожара и тяжелых травм.

Пожалуйста, откройте раскладную страницу с иллюстрациями электроинструмента и оставляйте ее открытой, пока Вы изучаете руководство по эксплуатации.

Применение по назначению

Электроинструмент предназначен для ударного сверления отверстий в бетоне, кирпичах и природном камне, а также для долбежных работ.

Изображенные составные части

Нумерация представленных компонентов выполнена по изображению на странице с иллюстрациями.

- 1 Колпачок для защиты от пыли
- 2 Фиксирующая гильза
- 3 Переключатель сверления/долбления
- 4 Выключатель
- 5 Рукоятка (с изолированной поверхностью)
- 6 Дополнительная рукоятка (с изолированной поверхностью)

Технические данные

Модель	PВН40-C2
Номинальные напряжение/частота	220 В / 50 Гц
Номинальная мощность	1600 Вт
Частота вращения	630 об/мин
Частота удара	3800 уд/мин
Сила удара	9 Дж
Макс. диаметр бурения (бетон)	Ø42 мм
Вес	7 кг

Комплект поставки

Перфоратор	1 шт
Пика	1 шт
Буры	1 шт
Ключ	1 шт
Дополнительная рукоятка	1 шт
Смазка для редуктора	1 шт
Угольная щетка	1 пара
Инструкция пользователя	1 шт

Примечание

В тексте и цифровых обозначениях инструкции могут быть допущены технические ошибки и опечатки.

Так как изделие постоянно совершенствуется, P.I.T. оставляет за собой право на внесение изменений в указанные здесь технические характеристики и комплектацию изделия без предварительного уведомления.

Сборка

- ▶ Перед любыми манипуляциями с электроинструментом вытаскивайте штепсель из розетки.

Дополнительная рукоятка

- ▶ Пользуйтесь электроинструментом только с дополнительной рукояткой.

Дополнительную рукоятку можно повернуть в любое положение, чтобы обеспечить возможность безопасной и не утомляющей работы с инструментом.

- Поверните нижнюю часть ручки дополнительной рукоятки против часовой стрелки и поставьте дополнительную рукоятку в желаемое положение. После этого поверните нижнюю часть ручки дополнительной рукоятки в направлении по часовой стрелке.

Замена рабочего инструмента

С помощью патрона SDS-max Вы можете просто и удобно сменить рабочий инструмент без дополнительного инструмента.

Защитный колпачок предотвращает в значительной степени проникновение пыли от сверления в патрон. При замене рабочего инструмента следите за тем, чтобы колпачок 1 не был поврежден.

- ▶ Немедленно замените поврежденный защитный колпачок. Это рекомендуется выполнять силами сервисной мастерской.

Установка рабочего инструмента (см. рис. А)

- Очистите и слегка смажьте вставляемый конец рабочего инструмента.
- Оттяните фиксирующую гильзу назад и, слегка вращая, вставьте рабочий инструмент в патрон. Отпустите фиксирующую гильзу 2, чтобы зафиксировать рабочий инструмент.
- Проверьте фиксацию попыткой вытянуть рабочий инструмент.

Изъятие инструмента из патрона (см. рис. В)

Сдвиньте фиксирующую гильзу назад и

выньте рабочий инструмент из патрона.

Отсос пыли и стружки

Пыль некоторых материалов, как напр., красок с содержанием свинца, некоторых сортов древесины, минералов и металлов, может быть вредной для здоровья. Прикосновение к пыли и попадание пыли в дыхательные пути может вызвать аллергические реакции и/или заболевания дыхательных путей оператора или находящегося вблизи персонала.

Определенные виды пыли, напр., дуба и бука, считаются канцерогенными, особенно совместно с присадками для обработки древесины (хромат, средство для защиты древесины). Материал с содержанием асбеста разрешается обрабатывать только специалистам.

- Хорошо проветривайте рабочее место.
- Рекомендуется пользоваться респираторной маской с фильтром класса P2.
- Соблюдайте действующие в Вашей стране предписания для обрабатываемых материалов.

Работа с инструментом

Включение электроинструмента


- ▶ Учитывайте напряжение сети! Напряжение источника тока должно соответствовать данным на заводской табличке электроинструмента.

Установка режима работы

С помощью переключателя сверления/долбления Вы выбираете режим работы электроинструмента.

Указание: Изменяйте режим работы только при выключенном электроинструменте! В противном случае электроинструмент может быть поврежден.

- Поверните переключатель сверления/долбления в нужное положение.

 Положение **Сверление с ударом**
Если при включении рабочий инструмент не вращается, то включите медленную скорость, пока рабочий инструмент не начнет вращаться.

 Положения для Долбления.

Включение/выключение

- Для **включения** электроинструмента нажмите на выключатель и держите его нажатым.
- Для **выключения** электроинструмента опустите выключатель.

При низких температурах электроинструмент достигает полную мощность удара только через определенное время.

В целях экономии электроэнергии включайте электроинструмент только тогда, когда Вы собираетесь работать с ним.

Предохранительная муфта

- ▶ При заедании или заклинивании рабочего инструмента привод патрона отключается. В целях предосторожности всегда держите электроинструмент из-за возникающих при этом сил крепко и надежно обеими руками и займите устойчивое положение.
- ▶ При блокировке электроинструмента выключите его и выньте рабочий инструмент из обрабатываемого материала. При включении с заклинившим инструментом возникают высокие реактивные моменты.

Указания по применению

- ▶ Перед любыми манипуляциями с электроинструментом вытаскивайте штепсель из розетки.

Техобслуживание и сервис

Техобслуживание и очистка

- ▶ Перед любыми манипуляциями с электроинструментом вытаскивайте штепсель из розетки.
- ▶ Для обеспечения качественной и безопасной работы следует постоянно содержать электроинструмент и вентиляционные щели в чистоте.
- ▶ Немедленно замените поврежденный защитный колпачок. Это рекомендуется выполнять силами сервисной мастерской.
- ▶ Периодичность смазки редуктора. Этот перфоратор не требует почасовой или ежедневной смазки, так как его редуктор заполнен смазкой в необходимом количестве на заводе-изготовителе. Тем не менее, через 200 часов — при интенсивной работе, или один раз в 6 месяцев — при редком использовании необходимо произвести замену смазки в редукторе перфоратора. Рекомендуем эту операцию технического обслуживания произвести в авторизованном сервисном центре компании, так как требуется разборка перфоратора и промывка зубчатого и ударно-компрессионного механизма редуктора. Если требуется поменять шнур, обращайтесь

тесь на фирму P.I.T или в авторизованную сервисную мастерскую для электроинструментов P.I.T.

Сервис

► Ремонт вашего электроинструмента поручайте только квалифицированному персоналу и только с применением оригинальных запасных частей. Этим обеспечивается безопасность электроинструмента.

Список авторизованных сервисных центров можно посмотреть на официальном сайте P.I.T. по ссылке: <https://pittools.ru/servises/>

Хранение и транспортировка

Храните инструмент в закрытых помещениях с естественной вентиляцией в упаковке при температуре воздуха от -10°C до +50°C и влажности воздуха не более 80%.

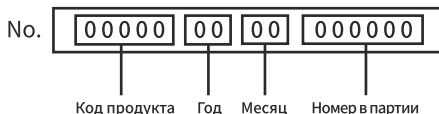
Транспортировать продукцию можно любым видом закрытого транспорта в упаковке производителя или без нее, с сохранением изделия от механических повреждений, атмосферных осадков. Перед транспортировкой извлеките аккумулятор и сменный инструмент из инструмента.

Утилизация



Отслужившие свой срок электроинструменты, принадлежности и упаковку следует сдавать на экологически чистую переработку отходов.

Утилизируйте электроинструмент отдельно



Расшифровка Даты Изготовления Изделия

Дата изготовления изделия зашифрована в серийном номере, напечатанном на корпусе инструмента. Первые 2 цифры обозначают год выпуска, следующие 2 цифры – месяц.

УСЛОВИЯ ГАРАНТИЙНОГО ОБСЛУЖИВАНИЯ

1. Настоящее гарантийное свидетельство является единственным документом, подтверждающим ваше право на бесплатное гарантийное обслуживание. Без предъявления данного свидетельства претензии не принимаются. В случае утери или порчи гарантийное свидетельство не восстанавли-

вается.

2. Гарантийный срок указан в гарантийном сертификате. В течение гарантийного срока сервисная служба бесплатно устраняет производственные дефекты и производит замену деталей, вышедших из строя по вине изготовителя. На период гарантийного ремонта эквивалентный исправный инструмент не предоставляется. Заменяемые детали переходят в собственность службы сервиса.

Компания P.I.T. не несет ответственности за вред, который может быть причинен при работе с электроинструментом.

3. В гарантийный ремонт инструмент принимается в чистом виде, при обязательном наличии надлежащим образом оформленных документов: настоящего гарантийного свидетельства, гарантийного талона, с полностью заполненными полями, штампом торговой организации и подписью покупателя.

4. Гарантийный ремонт не производится в следующих случаях:

- при отсутствии гарантийного свидетельства и гарантийного талона или неправильном их оформлении;
- степень износа диаметра коллектора ротора двигателя превышает 0,4 мм (за исключением инструментов с бесщеточным двигателем);
- при совместном выходе из строя якоря и статора электродвигателя, при обугливание или оплавлении первичной обмотки трансформатора сварочного аппарата, зарядного или пуско-зарядного устройства, при оплавлении внутренних деталей, прожиге электронных плат и других случаях;
- если гарантийное свидетельство или талон не принадлежат данному электроинструменту или не соответствует установленному поставщиком образцу;
- по истечении срока гарантии;
- при попытках самостоятельного вскрытия или ремонта электроинструмента вне гарантийной мастерской;
- внесения конструктивных изменений и смазки инструмента в гарантийный период, о чем свидетельствуют, например, заломы на шлицевых частях крепежа корпусных деталей;
- при использовании электроинструмента в производственных или иных целях, связанных с получением прибыли, а также при возникновении неисправностей связанных с нестабильностью параметров электросе-

ти, превышающих нормы, установленные ГОСТ;

- при неправильной эксплуатации, использованию электроинструмента не по назначению, указанному в инструкции по эксплуатации, установки на электроинструмент не предназначенных заводом-изготовителем насадок, дополнительных приспособлений и т.п.;

- при механических повреждениях корпуса, сетевого шнура и при повреждениях, вызванных воздействиями агрессивных средств и высоких и низких температур, попадании инородных предметов в вентиляционные решетки электроинструмента, а также при повреждениях, наступивших в результате неправильного хранения (коррозия металлических частей);

- при естественном износе деталей электроинструмента, в результате длительной эксплуатации (определяется по признакам полной или частичной выработки ресурса, сильного загрязнения, ржавчины снаружи и внутри электроинструмента, отработанной смазки в редукторе);

- при возникновении повреждений в связи с несоблюдением предусмотренных инструкцией условий эксплуатации (см. главу «Указание по технике безопасности» в инструкции).

- при повреждении изделия вследствие несоблюдения правил хранения и транспортировки;

- при сильном внутреннем загрязнении инструмента;

- при работе с перегрузкой бензоинструмента, изменении цвета чашки и муфты сцепления в результате перегрева;

- при обрыве шнура стартера при условии исправности остальных деталей пускового устройства;

- на все виды работ, выполняемые при периодическом техническом обслуживании (регулировки, чистке, замене расходных материалов и др.);

- на неисправности, возникшие в результате нарушения требований и правил эксплуатации, установленным паспортом изделия. Например, перегрев изделия, несоблюдение требований к составу и качеству топливной смеси, повлекших выход из строя поршневой группы (безусловным признаком этого является залегание поршневого кольца и/или наличие царапин и потертостей на внутренней поверхности цилиндра и поверхности поршня, разруше-

ние или оплавление опорных подшипников шатуна и поршневого пальца);

- на внешние и внутренние загрязнения, царапины, трещины, повреждения, возникшие в процессе эксплуатации или транспортировки.

- при работе электроинструментом с перегрузкой и заклиниванием оснастки, о чем свидетельствуют задиры, изменение цвета от температуры упорных и прижимных шайб, зажимного патрона, выхода из строя редуктора.

Профилактическое обслуживание электроинструмента (чистка, промывка, смазка, замена пыльников, поршневых и уплотнительных колец) в гарантийный период является платной услугой.

Срок службы изделия составляет 3 года.

Срок хранения – 2 года. Не рекомендуется к эксплуатации по истечении 2 лет хранения с даты изготовления, которая указана в серийном номере на этикетке инструмента, без предварительной проверки (определение даты выпуска смотрите ранее в Руководстве пользователя).

О возможных нарушениях, изложенных выше условий гарантийного обслуживания, владельцу сообщается после проведения диагностики в сервисном центре. Владелец инструмента доверяет проведение диагностики в сервисном центре в свое отсутствие.

Запрещается эксплуатация электроинструмента при проявлении признаков повышенного нагрева, искрения, а также шума в редукторной части. Для выяснения причин неисправности покупателю следует обратиться в гарантийную мастерскую.

Неисправности, вызванные несвоевременной заменой угольных щеток двигателя, устраняются за счет покупателя.

5.Гарантия не распространяется на:

- сменные принадлежности (аксессуары и оснастка), например: аккумуляторы, диски, ножи, сверла, буры, патроны, цепи, звездочки, цанговые зажимы, шины, элементы натяжения и крепления, головки триммеров, подошвы шлифовальных и ленточных машин, фильтры, головки шестигранные сменные насадки и т.п.

- быстроизнашивающиеся детали, например: угольные щетки, приводные ремни, сальники, защитные кожухи, направляющие ролики, направляющие, резиновые уплотнения, подшипники, зубчатые ремни и колеса, стволы, ленты тормоза, храпови-

ки и тросы стартеров, поршневые кольца и т.п.

Замена их в течение гарантийного срока является платной услугой.

- шнуры питания, в случае повреждения изоляции. В данном случае потребитель должен быть уведомлен и ремонт (услуга платная) должен быть выполнен после согласия потребителя. Если потребитель не согласен на замену, то в любом ремонте этого инструмента будет отказано. Факт отказа должен быть зафиксирован в гарантийном талоне или квитанции сервисного центра и подписан владельцем.

P.I.T. WARRANTY CERTIFICATE

Product Name _____
Product Serial Number □□□□□□□□□□
Charger Serial Number □□□□□□□□□□□□
Sale Date _____
Trade Organization Name _____



Dear customer!
Thank you for purchasing the P.I.T. tool, and we hope that you will be satisfied with your choice. In the process of manufacturing the P.I.T. tools pass multilevel quality control, if nevertheless your product will need maintenance, please contact the authorized P.I.T. service centers.
Attention!

When buying, ask a seller to check the completeness and operability of the tool, to fill out the Warranty Certificate, the Warranty Card (the boxes shall be filled out by a seller) and to affix the seal of the trade organization in the Guarantee Certificate and the Warranty Card.

Warranty
By this Warranty Certificate, P.I.T. company guarantees the absence of defects of the production nature.

In the event any of the above defects are detected during the warranty period, the specialized P.I.T. service centers shall repair the product and replace the defective spare parts free of charge.

The warranty period for P.I.T. electric machines is 12 months from the date of sale.

“The warranty maintenance terms acknowledged and accepted. The operability and completeness of the product are checked in my presence. No claims on quality and appearance.”

Buyer’s Signature _____ Surname (legibly) _____

Phone _____

ГАРАНТИЙНОЕ СВИДЕТЕЛЬСТВО НА ИНСТРУМЕНТ P.I.T.

Наименование изделия _____

Серийный номер изделия □□□□□□□□□□

Серийный номер зарядного устройства □□□□□□□□□□

Дата продажи « ____ » _____

Наименование торговой организации _____

Уважаемый покупатель!

М.П.

Благодарим Вас за покупку инструмента P.I.T. и надеемся, что Вы останетесь довольны своим выбором.

При необходимости обслуживания Вашего изделия обращайтесь в авторизованные сервисные центры P.I.T. Все сервисные центры представлены на сайте www.pittools.ru

Внимание!

При покупке требуйте у продавца проверки работоспособности инструмента и его комплектности, а также заполнения гарантийного свидетельства, гарантийного талона (графы «Заполняются продавцом») и простановки печати торговой организации в гарантийном свидетельстве и гарантийных талонах.

Гарантия

На основании данного гарантийного свидетельства компания P.I.T. гарантирует отсутствие дефектов производственного характера.

Если в течение гарантийного срока в Вашем изделии обнаружатся указанные дефекты, то специализированные сервисные центры P.I.T. бесплатно отремонтируют изделие и заменят дефектные запасные части.

Гарантийный срок на электроинструменты P.I.T. составляет 12 месяцев со дня продажи.

«С условиями гарантийного обслуживания ознакомлен(а). Работоспособность и комплектность изделия проверены в моем присутствии. Претензий к качеству и внешнему виду не имею».

Подпись покупателя _____ Фамилия (разборчиво)

Телефон _____

P.I.T. WARRANTY CARD

Name _____ Serial Number _____ Sale Date _____ 20__ Date of Receipt from Repair _____ 20__	P.I.T.		№ 1
	Name _____		
	Serial Number _____		
	Sale Date _____ 20__		Place of Seal
	(Filled out by a Seller)		
	WARRANTY REPAIR CARD		
	Date of Acceptance for Repair _____ 20__		
	Application for Repair _____		
	Customer _____		
	Phone (Address) _____		
Cause of Application _____			
Date of Receipt from Repair _____ 20__			
The Tool is checked in my presence _____			
(The Order shall be performed in a Service Center) (Signature)			

Name _____ Serial Number _____ Sale Date _____ 20__ Date of Receipt from Repair _____ 20__	P.I.T.		№ 2
	Name _____		
	Serial Number _____		
	Sale Date _____ 20__		Place of Seal
	(Filled out by a Seller)		
	WARRANTY REPAIR CARD		
	Date of Acceptance for Repair _____ 20__		
	Application for Repair _____		
	Customer _____		
	Phone (Address) _____		
Cause of Application _____			
Date of Receipt from Repair _____ 20__			
The Tool is checked in my presence _____			
(The Order shall be performed in a Service Center) (Signature)			

Name _____ Serial Number _____ Sale Date _____ 20__ Date of Receipt from Repair _____ 20__	P.I.T.		№ 3
	Name _____		
	Serial Number _____		
	Sale Date _____ 20__		Place of Seal
	(Filled out by a Seller)		
	WARRANTY REPAIR CARD		
	Date of Acceptance for Repair _____ 20__		
	Application for Repair _____		
	Customer _____		
	Phone (Address) _____		
Cause of Application _____			
Date of Receipt from Repair _____ 20__			
The Tool is checked in my presence _____			
(The Order shall be performed in a Service Center) (Signature)			

ГАРАНТИЙНЫЙ ТАЛОН P.I.T.

P.I.T.

Талон № 1

Наименование _____

Серийный номер _____

Дата продажи «____» _____ 20__

(Заполняется продавцом)

КАРТА ГАРАНТИЙНОГО РЕМОНА

Дата приема ремонт _____ 20__

Заявка на ремонт _____

Заказчик _____

Телефон (адрес) _____

Причина обращения _____

Дата получения от ремонта _____ 20__

Инструмент проверен в моем присутствии _____

(Заказ заполняется в Сервисном Центре) (Подпись)

Место печати
или штампа

Наименование _____
 Серийный номер _____ 20__
 Дата продажи _____ 20__
 Дата получения от ремонта _____ 20__

P.I.T.

Талон № 2

Наименование _____

Серийный номер _____

Дата продажи «____» _____ 20__

(Заполняется продавцом)

КАРТА ГАРАНТИЙНОГО РЕМОНА

Дата приема ремонт _____ 20__

Заявка на ремонт _____

Заказчик _____

Телефон (адрес) _____

Причина обращения _____

Дата получения от ремонта _____ 20__

Инструмент проверен в моем присутствии _____

(Заказ заполняется в Сервисном Центре) (Подпись)

Место печати
или штампа

Наименование _____
 Серийный номер _____ 20__
 Дата продажи _____ 20__
 Дата получения от ремонта _____ 20__

P.I.T.

Талон № 3

Наименование _____

Серийный номер _____

Дата продажи «____» _____ 20__

(Заполняется продавцом)

КАРТА ГАРАНТИЙНОГО РЕМОНА

Дата приема ремонт _____ 20__

Заявка на ремонт _____

Заказчик _____

Телефон (адрес) _____

Причина обращения _____

Дата получения от ремонта _____ 20__

Инструмент проверен в моем присутствии _____

(Заказ заполняется в Сервисном Центре) (Подпись)

Место печати
или штампа

Наименование _____
 Серийный номер _____ 20__
 Дата продажи _____ 20__
 Дата получения от ремонта _____ 20__



P.I.T.

Media account

 [pit_global](#)  [PIT Global](#)  [YouTube PIT Global](#)

 +7 7073005064 +86 15305798923  bod@pit-tools.com  www.pit-tools.com/