



P.I.T.[®]
Progressive Innovative Technology

EN PRODUCT PASSPORT
USER'S MANUAL

RU ПАСПОРТ ИЗДЕЛИЯ ИНСТРУКЦИЯ
ПОЛЬЗОВАТЕЛЯ

PLASTIC WELDING MACHINE
АППАРАТ ДЛЯ СВАРКИ ПЛАСТИКОВЫХ ТРУБ



EAC

PWM32-D

PROGRESSIVE INNOVATIONAL TECHNOLOGY
ПРОГРЕССИВНЫЕ ИННОВАЦИОННЫЕ ТЕХНОЛОГИИ



GENERAL SAFETY PRECAUTIONS

1. Do not use the plastic pipe welder for any other purpose than those specified in this manual.
2. Do not allow using of the plastic pipe welder by the unqualified persons, non-adult or persons with insufficient physical abilities for operate the power tool. If you are transferring the plastic pipe welder to another person, please provide details on how to use it and read this manual. In case of transfer of the power tool to other persons in detail explain about rules of its use and give to study this manual.
3. Do not use the plastic pipe welder if there is a risk of fire or explosion, for example, near flammable liquids or gases.
4. Carry the plastic pipe welder by holding only the handle.
5. Make sure that the parameters on the mains match those on the plastic pipe welder and in this manual.
6. Use personal protective equipment when working with the plastic pipe welder. If necessary, use special gloves, etc.
8. When working with the plastic pipe welder, it is recommended to wear suitable clothing so that parts of the clothing do not come into contact with the welder. Also, make sure that there is nothing on you that could interfere with the work or cause unwanted consequences.
9. For your safety, we strongly recommend that you do not install the plastic pipe welder on an unstable or unsteady surface.
10. Always securely fix the head pieces (sleeve, drawbars).
11. Nothing but welded pipes / fittings shall come into contact with the heating surface of the plastic pipe welder when it is connected to the mains.
12. Do not leave the plastic pipe welder running unattended.
13. Avoid getting the mains cable on the heating surface of the plastic pipe welder.
14. Keep the power cord away from heat, oil, and sharp objects.
15. Do not allow children, animals or strangers to enter the work area.
16. When disconnecting the plastic pipe welder from the mains, hold on to the mains cable.
17. Always unplug the plastic pipe welder when not in use.
18. Disconnect the plastic pipe welder from the mains:
 - In case of any problems;
 - Before fitting or removing accessories or cleaning;
 - After the end of operation.
19. Do not use the plastic pipe welder after it has been dropped or if it shows any signs of damage, or if it has a damaged power cord or plug. Contact an authorized technical service center to diagnose or repair the mains cable.
20. If the mains cable is damaged, it must be replaced by the manufacturer or its agent or a similarly qualified person in order to avoid danger. Replacement of the mains cable is carried out in the authorized technical service center according to the current rate.
21. Operation and maintenance must be carried out strictly in accordance with this manual.
22. Do not use cleaning agents that may cause tool erosion (gasoline and other aggressive agents).
23. The plastic pipe welder is `a source of increased danger. If precautions are not followed, contact with the heating surface may result in burns, fires and other undesirable consequences.

EXPLANATION OF P.I.T. TRADEMARK

P.I.T. Progressive Innovational Technology

Currently, 10 kinds of mechanical and electrical equipment are produced under the P.I.T. trademark.

In terms of sales, plastic pipe welders occupy one of the leading positions.

Each letter and number in the designation of the model of P.I.T plastic pipe welder the meaning.

For example, PWM32-D

INTENDED USE

The plastic pipe welder is intended for raster (socket) welding of plastic pipes and fittings (including polypropylene, etc.). Please note that this tool is not designed for heavy and professional work. Use of the tool for other purposes is the basis for refusal of warranty repair.

PRODUCT SPECIFICATIONS

PWM32-D

Rated voltage	220 V
Rated output capacity	800 W
Operational temperature	0-300 °C
Head pieces diameter	20, 25, 32 mm
Heat time	2.5 minutes
Weight	1.9 kg

STANDARD SET

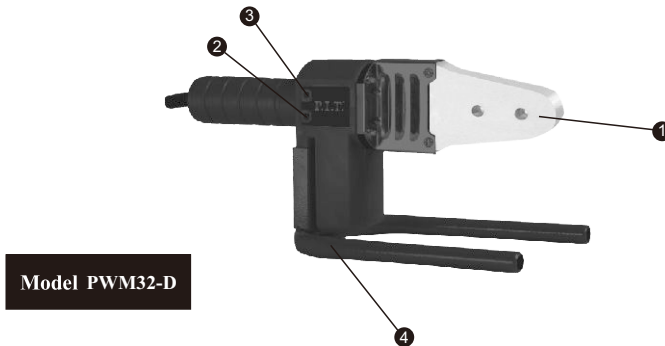
- Operation manual
- Screwdriver
- Hex wrench
- Support
- Head pieces (3 psc.)
- Plastic pipe welder
- Metal case

FEATURES

Features:

- Power indicator, heating indicator
- Smooth temperature adjustment

COMPONENT PARTS



Model PWM32-D

1. Heating element
2. Power indicator
3. Heating indicator
4. Support

RULES OF OPERATION

Head piece installation

The welding head piece must be clean. They must be checked before installation. If necessary, the heating head piece should be cleaned with a non-fibrous rough paper cloth soaked in alcohol. Welding head pieces must always be installed so that their surface does not go beyond the edge of the heating element.

Place the plastic pipe welder on the support. Install the head piece of the required diameter on both sides of the heating element. Insert the bolt into the heating element opening and secure the head piece with a hex wrench. We should pay attention to the head piece throughout its entire surface against the heating element. It is not allowed to use mites or other unsuitable tools, so as not to damage the head piece coating. Larger diameter head pieces are usually placed in a mounting seat closer to the handle.

Pre-operation

Connect the power cord to the mains, and the individual mains indicators for each heating element will light up. Use the temperature controller to select the optimum temperature for operation. The temperature required for welding plastic pipes is not less than 260°C. When the red indicator goes out – the tool has reached the desired operating temperature.

Please note that if the indicators are unchanged for a long time, it means that the plastic pipe welder is not working properly. Stop the operating cycle and unplug the cord immediately.

ATTENTION! The first welding must be carried out at least 5 minutes after the welding temperature is reached! Cut the pipe to the desired length. Using a graphite rod to indicate the welding depth on the pipe end. If necessary, remove the fins and chips formed during cutting.

Welding

The end of the plastic pipe, without rotating, insert into the heating head piece to the marked welding depth and at the same time, without rotating, plant the fitting until it stops. It is essential to observe the warming up time (see example table below).

Attention! The heating time starts only when the required welding depth is reached on the heating sleeve and the mandrel.

At the end of the prescribed heating time, quickly remove the plastic pipe and the fitting from the head piece, and immediately, without turning them, move with each other so that the marked welding depth is covered by the resulting beading.

ATTENTION! Do not push the plastic pipe into the fitting too deeply, the beading should not go further than the fitting edge; otherwise it can lead to constriction or even the pipe blockage.

Next, you should hold the connected elements for a while, after which there will be pairing and natural cooling of the welded parts. During processing, the connected elements must be fixed. At this time, the connection can be adjusted.

This adjustment is limited to the alignment of the pipe and fitting. Rotating elements is not allowed. Once the cooling time has elapsed, the connection can no longer be levelled. After the cooling time has elapsed, the connected elements can be fully loaded.

As a result of a plastic pipe flash-off and a fitting monolithic connection of material of system elements is formed.

When changing the head piece on the heated device after heating, the operating temperature of the plastic pipe welder must be re-controlled.

At the end of welding works it is necessary to turn the tool off and allow cooling. It is strictly forbidden to cool the tool with water; it will lead to thermal resistance failure. Do not contaminate the plastic pipe welder or the head pieces. Burnt particles can cause poor welding. The operating temperature of the plastic pipe welder should be checked regularly with the appropriate measuring instruments, or specialists should be assigned to carry out such checks.

SAMPLE TABLE OF THE OPERATIONAL CYCLE

head piece diameter (mm)	pipe / fitting heating time (sec)	pipe heating depth (mm)	cooling time (min)
20	5	14	3
25	7	18	3
32	8	20	4
40	12	21	4
50	18	22.5	5
63	24	150	6

MAINTENANCE

1. After work it is necessary to clean the plastic pipe welder from dust and other foreign substances.
2. To clean the case, do not use cleaning agents that may cause rust on the metal parts of the tool or damage the plastic surface.
3. As a result of working with time head pieces may become unusable. Carefully monitor their condition and replace them in a timely manner, as the quality of their coating affects the quality of welding.

ATTENTION! The included head pieces are not subject to warranty, as they are consumable.

TERMS OF WARRANTY SERVICE

1. This Warranty Certificate is the only document that confirms your right to free warranty service. Without presenting this certificate, no claims are accepted. In case of loss or damage, the warranty certificate is not restored.

2. The warranty period for the electric machine is 12 months from the date of sale, during the warranty period the service department eliminates manufacturing defects and replaces parts that have failed due to the fault of the manufacturer free of charge. In the warranty repair, an equivalent operable product is not provided. Replaceable parts become property of service providers.

P.I.T is not liable for any damage that may be caused by operation of the electric machine.

3. Only clean tool accompanied with the following duly executed documents: this Warranty Certificate, Warranty Card, with all fields filled out, bearing the stamp of the trade organization and the signature of the buyer, shall be accepted for warranty repair.

4. Warranty repair is not performed in the following cases:

- in the absence of a Warranty Certificate and a Warranty Card or their incorrect execution;
- with failure of both a rotor and a stator of the electric engine, charring or melting of primary winding of the welding machine transformer, charging or starting-charging device, with internal parts melting, burn down of electronic circuit boards;
- if a Warranty Certificate or a Warranty Card does not correspond to this electric machine or to the form established by the supplier;
- upon expiration of the warranty period;
- at attempts of opening or repair of the electric machine outside the warranty workshop; making constructive changes and lubrication of the tool during the warranty period, as evidenced, for example, by the creases on the spline parts of the fasteners of non-rotational parts.
- when using electric tools for production or other purposes connected with making a profit, as well as in case of malfunctions related to instability of the power network parameters exceeding the norms established by GOST;
- in the events of improper operation (use the electric machine for other than intended purposes, attachments to the electric machine of attachments, accessories, etc. not provided by the manufacturer);
- with mechanical damage to the case, power cord and in case of damages caused by aggressive agents and high and low temperatures, ingress of foreign objects in the ventilation grids of the electric machine, as well as in case of damage resulting from improper storage (corrosion of metal parts);
- natural wear and tear on the parts of the electric machine, as a result of long-term operation (determined on the basis of the signs of full or partial depletion of the specified mean life, great contamination, presence of rust outside and inside the electric machine, waste lubricant in the gearbox);
- use of the tool the purposes for other than specified in the operating instructions.
- mechanical damages to the tool;
- in the event of damages due to non-observance of the operating conditions specified in the instruction (see chapter "Safety Precautions" of the Manual).
- damage to the product due to non-observance of the rules of storage and transportation.

Preventive maintenance of electric machines (cleaning, washing, lubrication, replacement of anthers, piston and sealing rings) during the warranty period is a paid service.

The service life of the product is determined by the manufacturer and is 2 years from the date of manufacture.

The owner is notified of any possible violations of the above terms of warranty service upon completion of diagnostics in the service center.

The owner of the tool entrusts the diagnostic procedure to be conducted in the service center in his absence.

Do not operate the electric machine when there are signs of excessive heat, sparking, or noise in the gearbox. To determine the cause of the malfunction, the buyer should contact the warranty service center.

Malfunctions caused by late replacement of carbon brushes of the engine are eliminated at the expense of the buyer.

5. The warranty does not cover:

- replacement accessories (accessories and components), for example: batteries, discs, blades, drill bits, borers, chucks, chains, sprockets, collet clamps, guide rails, tension and fastening elements, trimming device heads, base of grinding and belt sander machines, filters, etc.,
- fast wearing parts, for example: carbon brushes, drive belts, seals, protective covers, guiding rollers, guides, rubber seals, bearings, toothed belts and wheels, shanks, brake belts, starter ratchets and ropes, piston rings, etc. Their replacement during the warranty period is a paid service;
- power cords, in case of damage to the insulation, power cords are subject to mandatory replacement without the consent of the owner (paid service);
- tool case.
- head pieces for the plastic pipe welder

P.I.T. WARRANTY CERTIFICATE

Product Name _____

Product Number □□□□□□□□□□

Place of Seal

Serial Number □□□□□□□□□□□□

Sale Date _____

Trade Organization Name _____

Dear customer!

Thank you for purchasing the P.I.T tool, and we hope that you will be satisfied with your choice. In the process of manufacturing the P.I.T tools pass multilevel quality control, if nevertheless your product will need maintenance, please contact the authorized P.I.T service centers.

Attention!

When buying, ask a seller to check the completeness and operability of the tool, to fill out the Warranty Certificate, the Warranty Card (the boxes shall be filled out by a seller) and to affix the seal of the trade organization in the Guarantee Certificate and the Warranty Card.

Warranty

By this Warranty Certificate, P.I.T. company guarantees the absence of defects of the production nature.

In the event any of the above defects are detected during the warranty period, the specialized P.I.T. service centers shall repair the product and replace the defective spare parts free of charge.

The warranty period for P.I.T. electric machines is 12 months from the date of sale.

“The warranty maintenance terms acknowledged and accepted. The operability and completeness of the product are checked in my presence. No claims on quality and appearance.”

Buyer's Signature _____ Surname (legibly) _____

Phone _____

ОБЩИЕ МЕРЫ БЕЗОПАСНОСТИ

1. Не используйте сварочный аппарат для любых иных целей, кроме указанных в настоящем руководстве.
2. Не допускайте использования сварочного аппарата неквалифицированными, несовершеннолетними лицами или людьми с недостаточными для использования электроинструмента физическими данными. В случае передачи сварочного аппарата другим лицам подробно расскажите о правилах его использования и дайте ознакомиться с настоящим руководством.
3. Не погружайте сварочный аппарат или отдельные его части в воду или другие жидкости.
4. Не используйте сварочный аппарат, если есть риск возгорания или взрыва, например, вблизи легковоспламеняющихся жидкостей или газов.
5. Переносите сварочный аппарат, держа его только за рукоятку.
6. Убедитесь в том, что параметры в сети соответствуют параметрам, указанным на сварочном аппарате и в настоящем руководстве.
7. При работе со сварочным аппаратом пользуйтесь средствами индивидуальной защиты. В случае необходимости воспользуйтесь специальными перчатками и пр.
8. При работе со сварочным аппаратом рекомендуется надевать подходящую одежду, чтобы части одежды не контактировали с аппаратом. Также убедитесь, что на Вас нет ничего, что могло бы помешать работе или вызвать нежелательные последствия.
9. В целях Вашей безопасности настоятельно не рекомендуется устанавливать аппарат на нестабильную или неустойчивую поверхность.
10. Всегда надежно фиксируйте насадку (гильзы, дорны).
11. Ничего, кроме свариваемых труб/фитингов, не должно соприкасаться с нагревательной поверхностью сварочного аппарата, когда он подключен к сети.
12. Не оставляйте включенный сварочный аппарат без внимания.
13. Избегайте попадания сетевого кабеля на нагревательную поверхность сварочного аппарата.
14. Держите сетевой кабель вдали от источника нагрева, масла и острых предметов.
15. Не допускайте присутствия детей, животных или посторонних в рабочей зоне.
16. При отключении сварочного аппарата от сети держитесь за сетевой кабель.
17. Всегда отключайте сварочный аппарат от электросети, когда Вы его не используете.
18. Отключайте сварочный аппарат от электрической сети:
 - в случае любых неполадок;
 - перед сменой насадок или чисткой;
 - после окончания эксплуатации.
19. Не пользуйтесь сварочным аппаратом после его падения или если на нем видны какие-либо следы повреждения, а также с поврежденным сетевым кабелем или штекером. Обратитесь в авторизованный сервисный центр для диагностики или ремонта сетевого кабеля.
20. При повреждении сетевого кабеля во избежание опасности его должен заменить изготовитель или его агент, или аналогичное квалифицированное лицо. Замена сетевого кабеля осуществляется в авторизованном сервисном центре согласно действующему тарифу.
21. Работа и техобслуживание должны осуществляться строго в соответствии с данным руководством.
22. Не используйте чистящие средства, которые могут вызвать эрозию инструмента (бензин и прочие агрессивные средства).
23. Сварочный аппарат является источником повышенной опасности. При несоблюдении мер предосторожности контакт с нагревательной поверхностью может привести к ожогам, возгораниям и прочим нежелательным последствиям.

РАСШИФРОВКА ТОРГОВОЙ МАРКИ P.I.T.

P.I.T.[®] Progressive Innovational Technology (Прогрессивные Инновационные Технологии)

В настоящее время под маркой P.I.T. выпускается механическое и электрическое оборудование 10 видов. По объему продаж аппараты занимают одно из лидирующих мест. Каждая буква и цифра в обозначении модели аппарата для сварки P.I.T. имеет значение.

Например, PWM32-D

НАЗНАЧЕНИЕ

Аппарат для сварки пластиковых труб предназначен для растровой (муфтовой) сварки пластиковых труб и фитингов (в том числе полипропиленовых и пр). Обращаем Ваше внимание на то, что данный аппарат не предназначен для тяжелых и профессиональных работ. Его использование не по назначению является основанием для отказа в гарантийном ремонте.

ТЕХНИЧЕСКИЕ ХАРАКТЕРИСТИКИ

	PWM32-D
Номинальное напряжение	220 В
Номинальная выходная мощность	800 Вт
Рабочая температура	0-300°C
Диаметр насадок	20, 25, 32 мм
Время нагрева	2,5 мин
Вес	1,9 кг

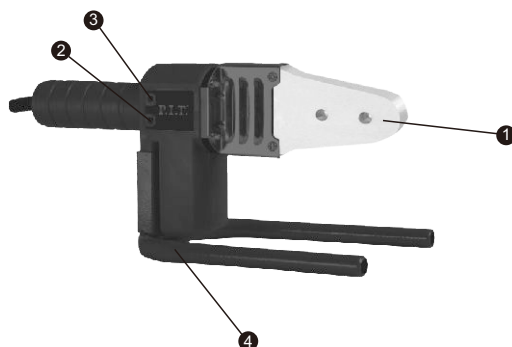
КОМПЛЕКТ ПОСТАВКИ

- Инструкция по эксплуатации
- Отвертка
- Ключ шестигранный
- Подставка
- Насадки (3шт)
- Аппарат для сварки
- Металлический кейс

ОСОБЕННОСТИ

- индикатор сети, индикатор нагрева
- плавная регулировка температуры

СОСТАВНЫЕ ЧАСТИ



МОДЕЛЬ PVM32-D

1. Нагревательный элемент
2. Индикатор сети
3. Индикатор нагрева
4. Подставка

ПРАВИЛА ЭКСПЛУАТАЦИИ

Установка насадок

Сварочные насадки должны быть чистыми. Перед установкой надлежит осуществлять их проверку. В случае необходимости нагревательную следует очистить неволокнистой грубой бумажной салфеткой, смоченной в спирте.

Сварочные насадки всегда необходимо устанавливать так, чтобы их поверхность не выходила за край нагревательного элемента.

Поместите аппарат на подставку. Установите насадку необходимого диаметра с обеих сторон нагревательного элемента. Вставьте болт в отверстие нагревательного элемента и скрепите насадку при помощи шестигранного ключа. При этом следует обратить внимание на то, чтобы насадки всей своей поверхностью прилегали к нагревательному элементу. Не разрешается применять клещи или другие непригодные инструменты, чтобы не повредить покрытие насадок. Насадки с большим диаметром обычно размещаются в посадочное место ближе к ручке.

Подготовка

Подключите сетевую кабель к электросети, после чего загорятся отдельные индикаторы сети для каждого нагревательного элемента. При помощи регулятора температуры выберите оптимальную для работы. Температура, необходимая для сварки пластиковых труб, составляет не менее 260°C. Когда красный индикатор погаснет, – аппарат набрал нужную рабочую температуру.

Обращаем ваше внимание, если индикаторы находятся без изменения в течение долгого времени, это означает, что сварочный аппарат работает некорректно. Прекратите рабочий цикл и немедленно отключите кабель от электросети.

ВНИМАНИЕ! Первая сварка должна производиться не менее, чем через 5 минут после достижения сварочной температуры! Отрежьте трубу необходимой длины. При помощи графитового стержня обозначить глубину сварки на конце трубы. При необходимости удалить заусенцы и образовавшуюся при резке стружку.

Сварка

Конец пластиковой трубы, не вращая, вставить в нагревательную насадку до отмеченной глубины сварки и одновременно, не вращая, насадить фитинг до упора. Необходимо обязательно соблюдать время нагревания (см. примерную таблицу ниже).

ВНИМАНИЕ! Отсчет времени нагрева начинается лишь тогда, когда на нагревательной гильзе и на дорне достигается необходимая глубина сварки.

По окончании предписанного времени нагревания, быстро снять пластиковую трубу и фитинг с насадок, и, сразу, не поворачивая их, сдвинуть друг с другом так, чтобы отмеченная глубина сварки была покрыта образующимся наплывом.

ВНИМАНИЕ! Не следует вдвигать пластиковую трубу в фитинг слишком глубоко, наплыв не должен уходить дальше края фитинга, иначе это может привести к сужению или даже к закупорке трубы.

Далее следует поддержать соединенные элементы некоторое время, после чего произойдет сопряжение и естественное охлаждение сваренных деталей. Во время обработки соединенные элементы должны быть зафиксированы. В это время соединение можно откорректировать.

Эта корректировка ограничивается лишь выравниванием трубы и фитинга. Поворачивание элементов недопустимо. По истечении времени остывания соединение уже нельзя подвергать выравниванию. По истечении времени охлаждения соединенные в единое целое элементы можно подвергать полной нагрузке.

В результате сплавления пластиковой трубы и фитинга образуется монолитное соединение материала системных элементов.

При смене насадки на нагретом приборе после нагревания необходимо повторно проконтролировать рабочую температуру сварочного инструмента.

По окончании сварочных работ надо выключить прибор и дать ему остыть. Категорически запрещается охлаждать прибор водой, это приведет к выходу термосопротивления из строя. Не допускайте загрязнения сварочного аппарата и насадок. Пригоревшие частицы могут стать причиной некачественной сварки. Необходимо регулярно проверять рабочую температуру сварочного аппарата при помощи соответствующих измерительных приборов, или поручать проведение таких проверок специалистам.

ПРИМЕРНАЯ ТАБЛИЦА РАБОЧЕГО ЦИКЛА

Диаметр насадки (мм)	Время нагрева трубы/фитинга (сек)	Глубина нагрева трубы (мм)	Время охлаждения (мин)
20	5	14	3
25	7	16	3
32	8	20	4
40	12	21	4
50	18	22,5	5
63	24	150	6

ТЕХНИЧЕСКОЕ ОБСЛУЖИВАНИЕ

1. После работы необходимо провести очистку сварочного аппарата от пыли и других инородных веществ.
 2. Для чистки корпуса не следует использовать чистящие средства, которые могут привести к образованию ржавчины на металлических частях изделия или повредить пластиковую поверхность.
 3. В результате работы со временем насадки могут прийти в негодность. Внимательно следите за их состоянием и своевременно заменяйте, так как качество их покрытия отражается на качестве сварки.
- ВНИМАНИЕ!** Входящие в комплект насадки не подлежат гарантии, так как являются расходным материалом.

УСЛОВИЯ ГАРАНТИЙНОГО ОБСЛУЖИВАНИЯ

1. Настоящее гарантийное свидетельство является единственным документом, подтверждающим Ваше право на бесплатное гарантийное обслуживание. Без предъявления данного свидетельства претензии не принимаются. В случае утери или порчи гарантийное свидетельство не восстанавливается.
2. Гарантийный срок на электроинструмент составляет 12 месяцев со дня продажи, в течение гарантийного срока сервисная служба бесплатно устраняет производственные дефекты и производит замену деталей, вышедших из строя по вине изготовителя. На период гарантийного ремонта эквивалентный исправный инструмент не предоставляется. Заменяемые детали переходят в собственность служб сервиса. Компания P.I.T. не несет ответственности за вред, который может быть причинен при работе с электроинструментом.
3. В гарантийный ремонт инструмент принимается в чистом виде, при обязательном наличии надлежащим образом оформленных документов: настоящего гарантийного свидетельства, гарантийного талона, с полностью заполненными полями, штампом торговой организации и подписью покупателя.
4. Гарантийный ремонт не производится в следующих случаях:
 - при отсутствии гарантийного свидетельства и гарантийного талона или неправильном их оформлении;
 - при совместном выходе из строя якоря и статора электродвигателя, при обугливания или оплавлении первичной обмотки трансформатора сварочного аппарата, зарядного или пуско-зарядного устройства, при оплавлении внутренних деталей, прожиге электронных плат;
 - если гарантийное свидетельство или талон не принадлежат данному электроинструменту или не соответствует установленному поставщиком образцу;
 - по истечении срока гарантии;
 - при попытках самостоятельного вскрытия или ремонта электроинструмента вне гарантийной мастерской; внесения конструктивных изменений и смазки инструмента в гарантийный период, о чем свидетельствуют, например, заломы на шлицевых частях крепежа корпусных деталей.
 - при использовании электроинструмента в производственных или иных целях, связанных с получением прибыли, а также – при возникновении неисправностей связанных с нестабильностью параметров электросети, превышающих нормы, установленные ГОСТ;
 - при неправильной эксплуатации (использование электроинструмента не по назначению, установки на электроинструмент не предназначенных заводом-изготовителем насадок, дополнительных приспособлений и т.п.;
 - при механических повреждениях корпуса, сетевого шнура и при повреждениях, вызванных воздействиями агрессивных средств и высоких и низких температур, попадании инородных предметов в вентиляционные решетки электроинструмента, а также при повреждениях, наступивших в результате неправильного хранения(коррозия металлических частей);
 - при естественном износе деталей электроинструмента, в результате длительной эксплуатации(определяется по признакам полной или частичной выработки ресурса, сильного загрязнения, ржавчины снаружи и внутри электроинструмента, отработанной смазки в редукторе);
 - использование инструмента не по назначению, указанному в инструкции по эксплуатации.
 - при механических повреждениях инструмента;
 - при возникновении повреждений в связи с несоблюдением предусмотренных инструкцией условий эксплуатации(см. главу Указание по технике безопасности в инструкции).
 - повреждение изделия вследствие несоблюдения правил хранения и транспортировки.
5. Профилактическое обслуживание электроинструмента (чистка, промывка, смазка, замена пыльников, поршневых и уплотнительных колец) в гарантийный период является платной услугой.
Срок службы изделия установлен производителем и составляет 2 года со дня изготовления.
О возможных нарушениях, изложенных выше условий гарантийного обслуживания, владельцу сообщается после проведения диагностики в сервисном центре.
Владелец инструмента доверяет проведение диагностики в сервисном центре в свое отсутствие.
Запрещается эксплуатация электроинструмента при проявлении признаков повышенного нагрева, искрения, а также шума в редукторной части. Для выяснения причин неисправности покупателю следует обратиться в гарантийную мастерскую.
Неисправности, вызванные несвоевременной заменой угольных щеток двигателя, устраняются за счет покупателя.
5. Гарантия не распространяется на:
 - сменные принадлежности (аксессуары и оснастка), например: аккумуляторы, диски, ножи, сверла, буры, патроны, цепи, звездочки, канговые зажимы, шины, элементы натяжения и крепления, головки триммеров, подошвы шлифовальных и ленточных машин, фильтры и т.п.
 - быстроизнашивающиеся детали, например: угольные щетки, приводные ремни, сальники, защитные кожухи, направляющие ролики, направляющие, резиновые уплотнения, подшипники, зубчатые ремни и колеса, стволы, ленты тормоза, храповики и тросы стартеров, поршневые кольца и т.п. Замена их в течении гарантийного срока является платной услугой.
 - шнуры питания, в случае повреждения изоляции, шнуры питания подлежат обязательной замене без согласия владельца (услуга платная).
 - корпуса инструмента.
 - насадки для сварочных аппаратов пластиковых труб.

ГАРАНТИЙНОЕ СВИДЕТЕЛЬСТВО НА ИНСТРУМЕНТ P.I.T.

Наименование изделия _____

Артикул изделия Серийный номер

Дата продажи «__» _____

Наименование торговой организации _____

М.П.

Уважаемый покупатель!

Благодарим Вас за покупку инструмента P.I.T. и надеемся, что Вы останетесь довольны своим выбором. В процессе производства инструменты P.I.T. проходят многоуровневый контроль качества, если тем не менее Ваше изделие будет нуждаться в обслуживании, просим Вас обращаться в авторизированные сервисные центры P.I.T.

Внимание!

При покупке требуйте у продавца проверки комплектности и работоспособности инструмента, заполнение гарантийного свидетельства, гарантийного талона(графы заполняются продавцом) и простановки печати торговой организации в гарантийном свидетельстве и гарантийном талоне.

Гарантия

На основании данного гарантийного свидетельства компания P.I.T. гарантирует отсутствие дефектов производственного характера.

Если в течении гарантийного срока в Вашем изделии тем не менее обнаружатся указанные дефекты, специализированные сервисные центры P.I.T. бесплатно отремонтируют изделие и заменят дефектные запасные части.

Гарантийный срок на электроинструменты P.I.T. составляет 12 месяцев со дня продажи.

«С условиями гарантийного обслуживания ознакомлен(а). Работоспособность и комплектность изделия проверены в моем присутствии. Претензий к качеству и внешнему виду не имею».

Подпись покупателя _____ Фамилия(разборчиво) _____

Телефон _____

P.I.T. WARRANTY CARD

Name _____
Serial number _____
The date of sale 20____
The date of receipt of the repair 20____



Name _____
Serial number _____
Date of sale "" _____
(Filled by seller)

Seal is here

WARRANTY REPAIR CARD

date of acceptance for repair ____20_____
Application for repair _____
Customer _____
Telephone (address) _____
The reason for petition _____
Tool checked in my presence _____
(The order is filled in the service center) (signature)

Seal is here

Name _____
Serial number _____
The date of sale 20____
The date of receipt of the repair 20____



Name _____
Serial number _____
Date of sale "" _____
(Filled by seller)

Seal is here

WARRANTY REPAIR CARD

date of acceptance for repair ____20_____
Application for repair _____
Customer _____
Telephone (address) _____
The reason for petition _____
Tool checked in my presence _____
(The order is filled in the service center) (signature)

Seal is here

Name _____
Serial number _____
The date of sale 20____
The date of receipt of the repair 20____



Name _____
Serial number _____
Date of sale "" _____
(Filled by seller)

Seal is here

WARRANTY REPAIR CARD

date of acceptance for repair ____20_____
Application for repair _____
Customer _____
Telephone (address) _____
The reason for petition _____
Tool checked in my presence _____
(The order is filled in the service center) (signature)

Seal is here

ГАРАНТИЙНЫЙ ТАЛОН P.I.T.


Наименование _____
 Серийный номер _____
 Дата продажи «__» _____ 20__ г.
 (Заполняется продавцом)

М.П.

КАРТА ГАРАНТИЙНОГО РЕМОНТА __
 Дата приема в ремонт __ _____ 20__ г.
 Заявка на ремонт _____
 Заказчик _____
 Телефон(адрес) _____
 Причина обращения _____
 Дата получения из ремонта __ _____ 20__ г.
 Инструмент проверен в моем присутствии _____
 (Заказ заполняется в сервисном центре) (подпись)

М.П.



Наименование _____
 Серийный номер _____
 Дата продажи «__» _____ 20__ г.
 (Заполняется продавцом)

М.П.

КАРТА ГАРАНТИЙНОГО РЕМОНТА __
 Дата приема в ремонт __ _____ 20__ г.
 Заявка на ремонт _____
 Заказчик _____
 Телефон(адрес) _____
 Причина обращения _____
 Дата получения из ремонта __ _____ 20__ г.
 Инструмент проверен в моем присутствии _____
 (Заказ заполняется в сервисном центре) (подпись)

М.П.



Наименование _____
 Серийный номер _____
 Дата продажи «__» _____ 20__ г.
 (Заполняется продавцом)

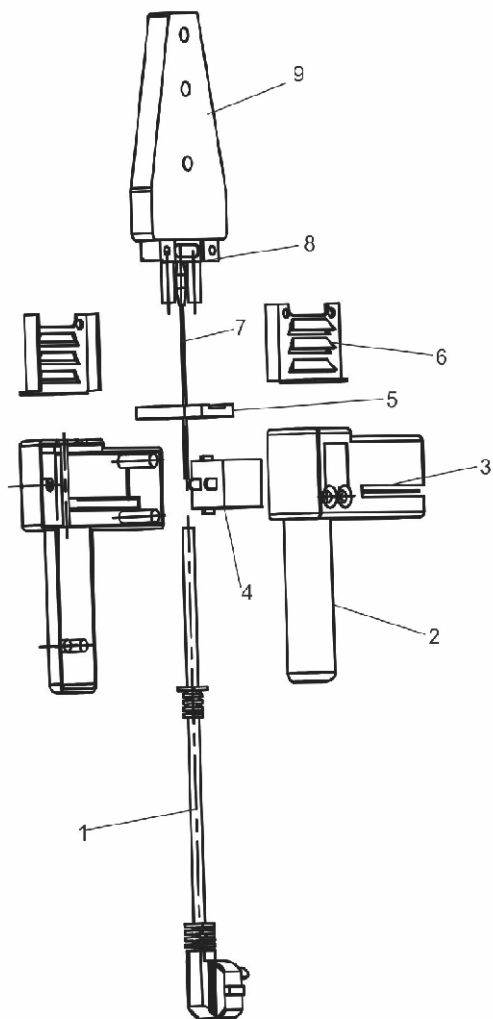
М.П.

КАРТА ГАРАНТИЙНОГО РЕМОНТА __
 Дата приема в ремонт __ _____ 20__ г.
 Заявка на ремонт _____
 Заказчик _____
 Телефон(адрес) _____
 Причина обращения _____
 Дата получения из ремонта __ _____ 20__ г.
 Инструмент проверен в моем присутствии _____
 (Заказ заполняется в сервисном центре) (подпись)

М.П.

P.I.T. WARRANTY SHEET / ГАРАНТИЙНЫЙ ТАЛОН P.I.T.

PWM32-D





Поставщик: Китай Xinjiang Longbo Industrial Co., Ltd.
Адрес производства: Rm. 602, 6th Floor, No. 531, Weixing Road, Economic And Technological Development Zone, Urumqi, Xinjiang, China
Уполномоченный представитель: ООО "Турбо-Тулс"
Юридический адрес: 614012, Пермский КРАЙ, г. Пермь, ул. Норильская, д. 8

Сделано в КНР/Made in China

