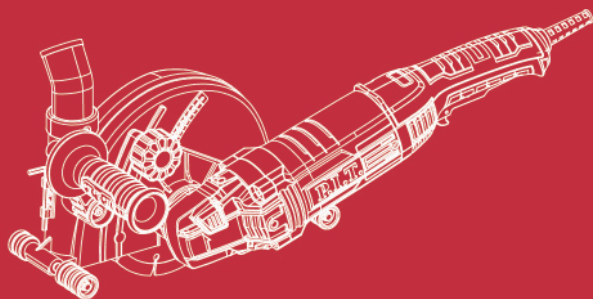


P.I.T.

PWC150-C



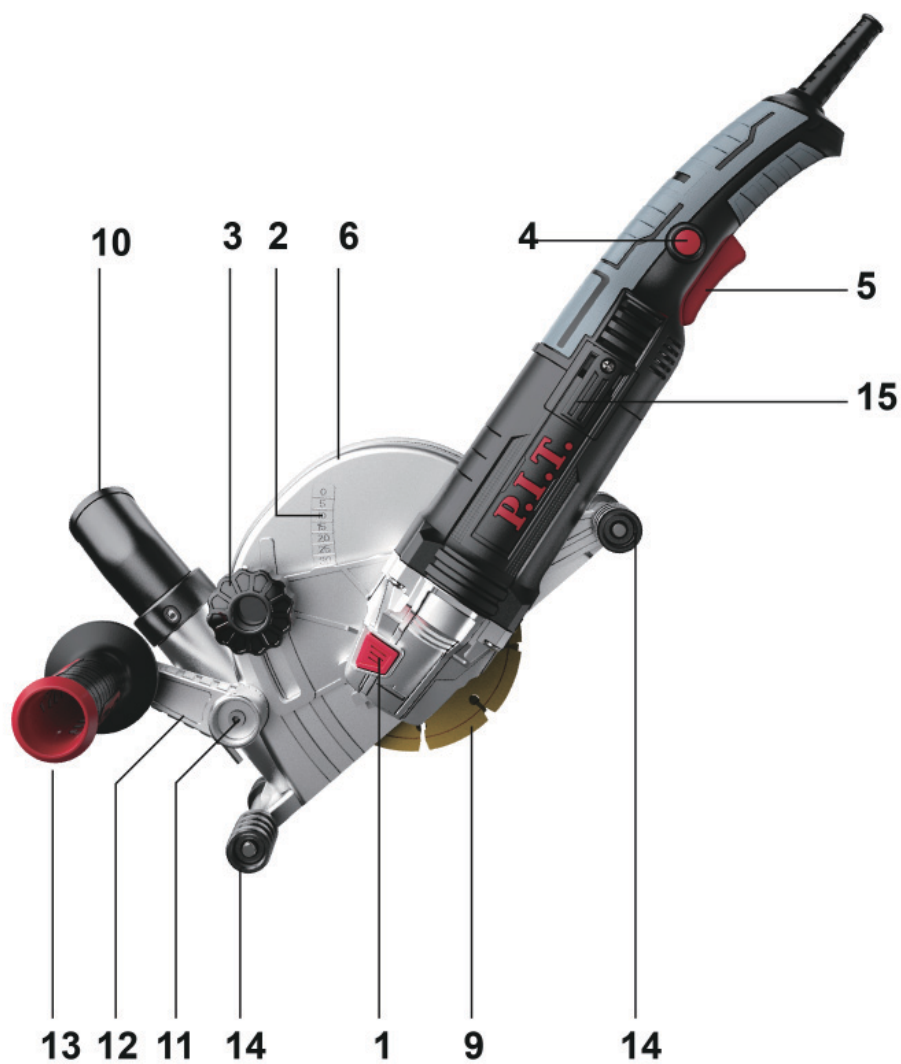
WALL CHASER

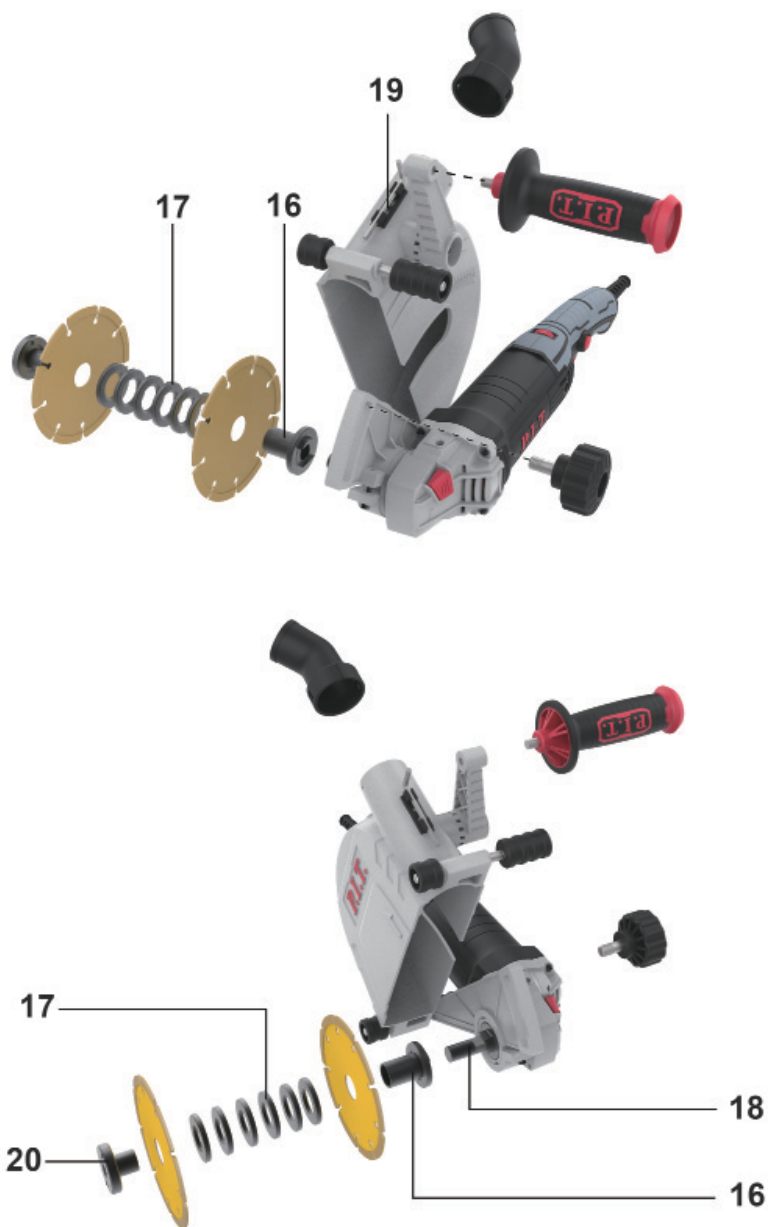
1700W

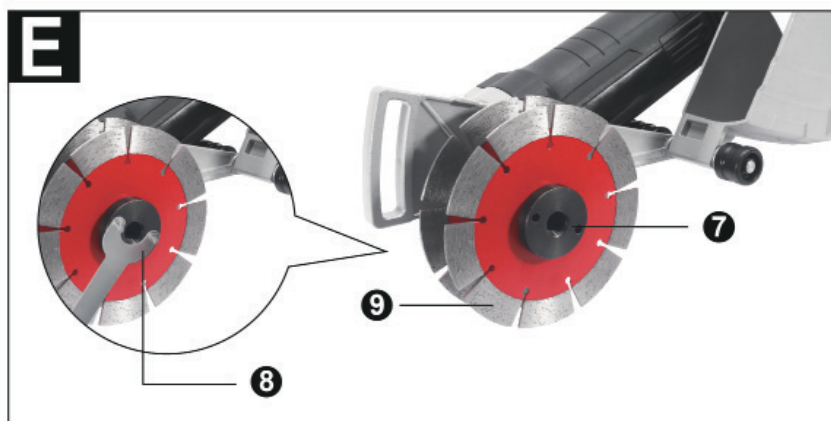
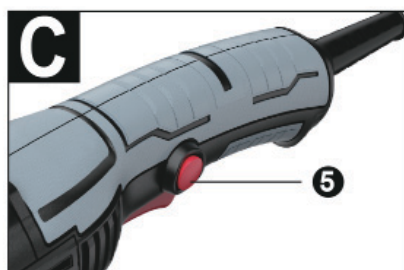
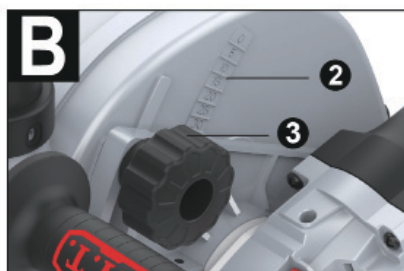
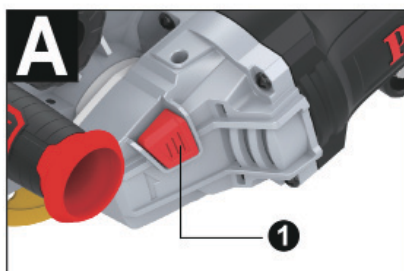
**Powerful
Efficient**

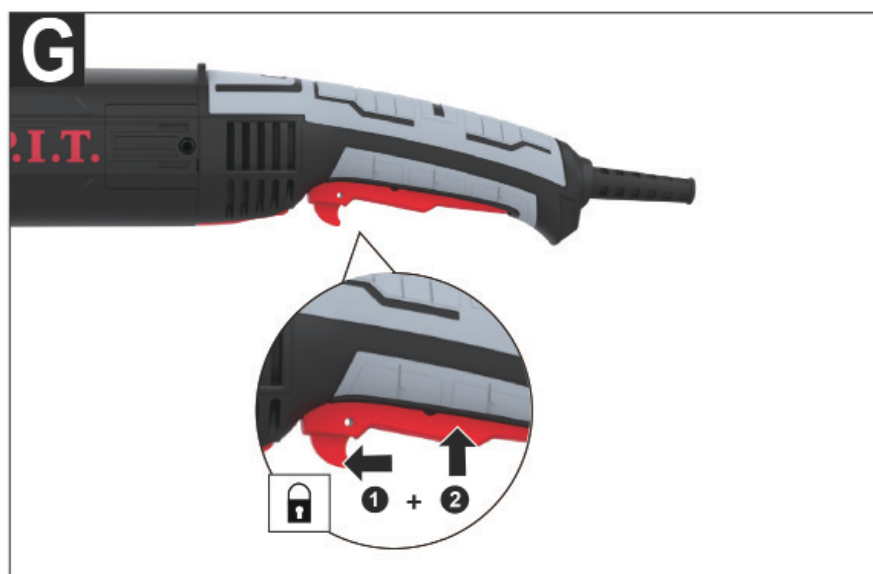
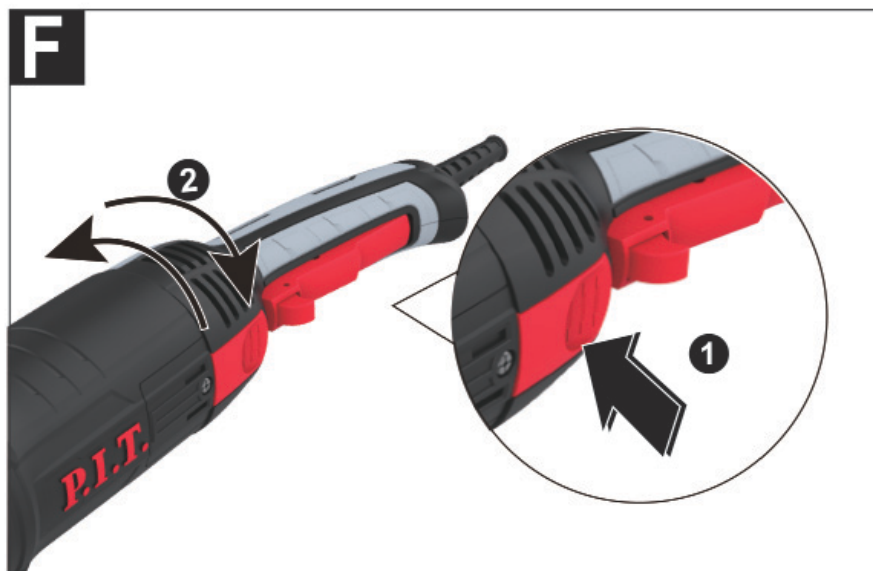
Please read the instruction manual carefully before use!











English

Safety instructions

General Power Tool Safety Warnings



WARNING Read all safety warnings and all instructions.

Failure to follow the warnings and instructions may result in electric shock, fire and/or serious injury.

Save all warnings and instructions for future reference. The term "power tool" in the warnings refers to your mains-operated (corded) power tool or battery-operated (cord-less) power tool.

Work area safety

- ▶ **Keep work area clean and well-lit.** Cluttered or dark areas invite accidents.
- ▶ **Do not operate power tools in explosive atmospheres, such as in the presence of flammable liquids, gases or dust.** Power tools create sparks which may ignite the dust or fumes.
- ▶ **Keep children and bystanders away while operating a power tool.** Distractions can cause you to lose control.

Electrical safety

- ▶ **Power tool plugs must match the outlet. Never modify the plug in any way. Do not use any adapter plugs with earthed (grounded) power tools.** Unmodified plugs and matching outlets will reduce risk of electric shock.
- ▶ **Avoid body contact with earthed or grounded surfaces, such as pipes, radiators, ranges and refrigerators.** There is an increased risk of electric shock if your body is earthed or grounded.
- ▶ **Do not expose power tools to rain or wet conditions.** Water entering a power tool will increase the risk of electric shock.
- ▶ **Do not abuse the cord. Never use the cord for carrying, pulling or unplugging the power tool. Keep cord away from heat, oil, sharp edges or moving parts.** Damaged or entangled cords increase the risk of electric shock.
- ▶ **When operating a power tool outdoors, use an extension cord suitable for outdoor use.** Use of a cord suitable for outdoor use reduces the risk of electric shock..
- ▶ **If operating a power tool in a damp location is unavoidable, use a residual current device (RCD) protected supply.** Use of an RCD reduces the risk of electric shock.

Personal safety

- ▶ **Stay alert, watch what you are doing and use common sense when operating a power tool. Do not use a power tool while you are tired or under the influence of drugs, alcohol or medication.** A moment of inattention while operating power tools may result in serious personal injury.
 - ▶ **Use personal protective equipment. Always wear eye protection.** Protective equipment such as dust mask, non-skid safety shoes, hard hat, or hearing protection used for appropriate conditions will reduce personal in- juries.
 - ▶ **Prevent unintentional starting. Ensure the switch is in the off-position before connecting to power source and/or battery pack, picking up or carrying the tool.** Carrying power tools with your finger on the switch or energising power tools that have the switch on invites accidents.
 - ▶ **Remove any adjusting key or wrench before turning the power tool on.** A wrench or a key left attached to a rotating part of the power tool may result in personal injury.
 - ▶ **Do not overreach. Keep proper footing and balance at all times.** This enables better control of the power tool in unexpected situations.
 - ▶ **Dress properly. Do not wear loose clothing or jewellery. Keep your hair, clothing and gloves away from moving parts.** Loose clothes, jewellery or long hair can be caught in moving parts.
 - ▶ **If devices are provided for the connection of dust extraction and collection facilities, ensure these are connected and properly used.** Use of dust collection can re- duce dust related hazards.
- #### Power tool use and care
- ▶ **Do not force the power tool. Use the correct power tool for your application.** The correct power tool will do the job better and safer at the rate for which it was designed.
 - ▶ **Do not use the power tool if the switch does not turn it on and off.** Any power tool that cannot be controlled with the switch is dangerous and must be repaired.
 - ▶ **Disconnect the plug from the power source and/or the battery pack from the power tool before making any adjustments, changing accessories, or storing power tools.** Such preventive safety

measures reduce the risk of starting the power tool accidentally.

- ▶ **Store idle power tools out of the reach of children and do not allow persons unfamiliar with the power tool or these instructions to operate the power tool.** Power tools are dangerous in the hands of untrained users.
- ▶ **Maintain power tools. Check for misalignment or binding of moving parts, breakage of parts and any other condition that may affect the power tool's operation. If damaged, have the power tool repaired before use.** Many accidents are caused by poorly maintained power tools.
- ▶ **Keep cutting tools sharp and clean.** Properly maintained cutting tools with sharp cutting edges are less likely to bind and are easier to control.
- ▶ **Use the power tool, accessories and tool bits etc. in accordance with these instructions, taking into account the working conditions and the work to be performed.** Use of the power tool for operations different from those intended could result in a hazardous situation.

Service

- ▶ **Have your power tool serviced by a qualified repair person using only identical replacement parts.** This will ensure that the safety of the power tool is maintained.

Cut-off machine safety warnings

- ▶ **The guard provided with the tool must be securely attached to the power tool and positioned for maximum safety, so the least amount of wheel is exposed towards the operator. Position yourself and bystanders away from the plane of the rotating wheel.** The guard helps to protect operator from broken wheel fragments and accidental contact with wheel.
- ▶ **Use only bonded reinforced or diamond cut-off wheels for your power tool.** Just because an accessory can be attached to your power tool, it does not assure safe operation.
- ▶ **The rated speed of the accessory must be at least equal to the maximum speed marked on the power tool.** Accessories running faster than their rated speed can break and fly apart.
- ▶ **Wheels must be used only for recommended applications. For example: do**

not grind with the side of cut-off wheel.

Abrasive cut-off wheels are intended for peripheral grinding, side forces applied to these wheels may cause them to shatter.

- ▶ **Always use undamaged wheel flanges that are of correct diameter for your selected wheel.** Proper wheel flanges support the wheel thus reducing the possibility of wheel breakage.
- ▶ **The outside diameter and the thickness of your accessory must be within the capacity rating of your power tool.** Incorrectly sized accessories cannot be adequately guarded or controlled.
- ▶ **The arbour size of wheels and flanges must properly fit the spindle of the power tool.** Wheels and flanges with arbour holes that do not match the mounting hardware of the power tool will run out of balance, vibrate excessively and may cause loss of control.
- ▶ **Do not use damaged wheels. Before each use, inspect the wheels for chips and cracks. If power tool or wheel is dropped, inspect for damage or install an undamaged wheel. After inspecting and installing the wheel, position yourself and bystanders away from the plane of the rotating wheel and run the power tool at maximum no load speed for one minute.** Damaged wheels will normally break apart during this test time.
- ▶ **Wear personal protective equipment.** Depending on application, use face shield, safety goggles or safety glasses. As appropriate, wear dust mask, hearing protectors, gloves and shop apron capable of stopping small abrasive or workpiece fragments. The eye protection must be capable of stopping flying debris generated by various operations. The dust mask or respirator must be capable of filtering particles generated by your operation. Prolonged exposure to high intensity noise may cause hearing loss.
- ▶ **Keep bystanders a safe distance away from work area. Anyone entering the work area must wear personal protective equipment.** Fragments of workpiece or of a broken accessory may fly away and cause injury beyond immediate area of operation.
- ▶ **Hold the power tool by insulated gripping surfaces only, when performing an operation where the cutting accessory may contact hidden wiring or its own**

cord. Cutting accessory contacting a “live” wire may make exposed metal parts of the power tool “live” and could give the operator an electric shock.

- ▶ **Position the cord clear of the spinning accessory.** If you lose control, the cord may be cut or snagged and your hand or arm may be pulled into the spinning wheel.
- ▶ **Never lay the power tool down until the accessory has come to a complete stop.** The spinning wheel may grab the surface and pull the power tool out of your control.
- ▶ **Do not run the power tool while carrying it at your side.** Accidental contact with the spinning accessory could snag your clothing, pulling the accessory into your body.
- ▶ **Regularly clean the power tool’s air vents.** The motor’s fan will draw the dust inside the housing and excessive accumulation of powdered metal may cause electrical hazards.
- ▶ **Do not operate the power tool near flammable materials.** Sparks could ignite these materials.
- ▶ **Do not use accessories that require liquid coolants.** Using water or other liquid coolants may result in electrocution or shock.

Kickback and Related Warnings

- ▶ Kickback is a sudden reaction to a pinched or snagged rotating wheel. Pinching or snagging causes rapid stalling of the rotating wheel which in turn causes the uncontrolled power tool to be forced in the direction opposite of the wheel’s rotation at the point of the binding. For example, if an abrasive wheel is snagged or pinched by the workpiece, the edge of the wheel that is entering into the pinch point can dig into the surface of the material causing the wheel to climb out or kick out. The wheel may either jump toward or away from the operator, depending on direction of the wheel’s movement at the point of pinching. Abrasive wheels may also break under these conditions. Kickback is the result of power tool misuse and/or incorrect operating procedures or conditions and can be avoided by taking proper precautions as given below.
- ▶ **Maintain a firm grip on the power tool and position your body and arm to allow you to resist kickback forces. Always use auxiliary handle, if provided,**

for maximum control over kickback or torque reaction during start-up. The operator can control torque reactions or kickback forces, if proper precautions are taken.

- ▶ **Never place your hand near the rotating accessory.** Accessory may kickback over your hand.
- ▶ **Do not position your body in line with the rotating wheel.** Kickback will propel the tool in direction opposite to the wheel’s movement at the point of snagging.
- ▶ **Use special care when working corners, sharp edges, etc. Avoid bouncing and snagging the accessory.** Corners, sharp edges or bouncing have a tendency to snag the rotating accessory and cause loss of control or kickback.
- ▶ **Do not attach a saw chain, woodcarving blade, segmented diamond wheel with a peripheral gap greater than 10mm or toothed saw blade.** Such blades create frequent kickback and loss of control.
- ▶ **Do not “jam” the wheel or apply excessive pressure. Do not attempt to make an excessive depth of cut.** Overstressing the wheel increases the loading and susceptibility to twisting or binding of the wheel in the cut and the possibility of kickback or wheel breakage.
- ▶ **When wheel is binding or when interrupting a cut for any reason, switch off the power tool and hold the power tool motionless until the wheel comes to a complete stop. Never attempt to remove the wheel from the cut while the wheel is in motion otherwise kickback may occur.** Investigate and take corrective action to eliminate the cause of wheel binding.
- ▶ **Do not restart the cutting operation in the workpiece. Let the wheel reach full speed and carefully re-enter the cut.** The wheel may bind, walk up or kickback if the power tool is restarted in the workpiece.
- ▶ **Support panels or any oversized workpiece to minimize the risk of wheel pinching and kickback.** Large workpieces tend to sag under their own weight. Supports must be placed under the workpiece near the line of cut and near the edge of the workpiece on both sides of the wheel.
- ▶ **Use extra caution when making a “pocket cut” into existing walls or other blind areas.** The protruding wheel may

cut gas or water pipes, electrical wiring or objects that can cause kickback.

Additional safety warnings



Wear safety goggles.

- ▶ **Use clamps or another practical way to secure and support the workpiece to a stable platform.** Holding the work by your hand or against the body leaves it unstable and may lead to loss of control.
- ▶ **Wear hearing protection, safety goggles, dust mask and gloves. As dust mask, use at least a particle filtering half mask of filter class FFP2.**
- ▶ **Use suitable detectors to determine if utility lines are hidden in the work area or call the local utility company for assistance.** Contact with electric lines can lead to fire and electric shock. Damaging a gas line can lead to explosion. Penetrating a water line causes property damage or may cause an electric shock.
- ▶ **Do not touch the cutting disc after working before it has cooled.** The cutting disc becomes very hot while working.
- ▶ **When working with the machine, always hold it firmly with both hands and provide for a secure stance.** The power tool is guided more secure with both hands.

Product Description and Specifications



Read all the safety and general instructions.

Failure to follow the warnings and instructions may result in electric shock, fire and/or serious injury.

While reading the operating instructions, unfold the graphics page for the machine and leave it open.

Intended use

In conjunction with a dust-categoryM vacuum cleaner and with firm support of the cutting guide, the machine is intended to cut or slot mainly mineral materials such as reinforced concrete, brickwork and road surfaces without the use of water.

Product Features

The numbering of the product features refers to the diagram of the power tool on the graphics page.

- (1) Spindle lock button
- (2) Cutting-depth scale

- (3) Clamping lever for depth stop adjustment
- (4) Anti-lock button
- (5) On/Off switch
- (6) Protection guard with cutting guide
- (7) Clamping nut
- (8) Two-pin spanner for clamping nut
- (9) Diamond cutting disc
- (10) Vacuum connection
- (11) Locking screw for auxiliary-handle holder
- (12) Auxiliary-handle holder
- (13) Auxiliary handle
- (14) Chaser rollers
- (15) Carbone brush cover
- (16) Mounting flange
- (17) Spacer discs
- (18) Grinder spindle
- (19) Allen wrench
- (20) Clamping nut

Technical Data

Model	PWC150-C
Rated voltage	220 V~/50 Hz
Power	1700 W
Rated speed	8000 r/min
Spindle thread	M14
Weight	4 kg
Disc diameter	150 mm
Slitting depth	0-35 mm
Slitting width	3-30 mm

Contents of delivery

Wall chaser	1 pc
Protective cover	1 pc
Additional handle	1 pc
Clamping lever	1 pc
Suction pipe	1 pc
Clamping wrench	1 pc
Hex key	1 pc
Nozzle fixing ring	1 pc

Note

Since the product is constantly being improved, P.I.T. reserves the right to make changes to the specifications and product specifications specified here without prior notice.

Assembly

- ▶ **Before any work on the machine itself, pull the mains plug.**

Dust Extraction

- ▶ Dusts from materials such as lead-containing coatings, some wood types, minerals and metal can be harmful to one's health. Touching or breathing-in the dusts can cause allergic reactions and/or lead to respiratory infections of the user or bystand-

ers. Certain dusts, such as oak or beech dust, are considered as carcinogenic, especially in connection with wood-treatment additives (chromate, wood preservative). Materials containing asbestos may only be worked by specialists.

- As far as possible, use a dust extraction system suitable for the material.
- Provide for good ventilation of the working place.
- It is recommended to wear a P2 filter-class respirator. Observe the relevant regulations in your country for the materials to be worked.

The vacuum cleaner must be approved for the extraction of masonry dust. P.I.T. provides suitable vacuum cleaners.

► **Prevent dust accumulation at the workplace.** Dusts can easily ignite.

The machine can be plugged directly into the receptacle of a P.I.T. all-purpose vacuum cleaner with remote starting control. The vacuum cleaner starts automatically when the machine is switched on.

Mount the elbow onto the vacuum connection and connect a vacuum hose (accessory). Connect the vacuum hose with a vacuum cleaner (accessory). An overview for the connection of various vacuum cleaners can be found at the end of these instructions.

Information for the Use of Wall Chasers
Please observe the following notes in order to reduce the dust emissions occurring while working.

- Use only the combinations of wall chaser and dustcategoryM vacuum cleaner recommended by P.I.T.. Other combinations can lead to insufficient dust collection and separation.
- Observe the operating instructions of the vacuum cleaner for maintenance and cleaning of the vacuum cleaner, including the filter. Empty dust collection containers immediately once full. Clean the filters of the vacuum cleaner regularly and always insert the filters completely into the vacuum cleaner.
- Only use vacuum hoses as intended for by P.I.T.. Do not manipulate the vacuum hose. When rocks or chunks of stone/masonry are drawn into the vacuum hose, cease work and clean the vacuum hose immediately. Prevent the vacuum hose from being bent or creased.
- Use the wall chaser only according to its intended use.

- Only use tools that are in perfect condition. Decrease in work progress is noticeable whilst using worn tools.
- Observe the general requirements for construction sites.
- Provide for good ventilation.
- Ensure that the working range/area is free of obstructions. For longer slots, the vacuum cleaner must be guided along in time, without obstructions in the path.
- Wear hearing protection, protective goggles, dust mask and gloves as required. As dust mask, use at least a particle-filtering class FFP2 half-mask.
- Use a suitable vacuum cleaner for cleaning the workplace. Prevent settled dust from being swirled up by sweeping.

Adjusting the Protection Guard

The protection guard can be adjusted within limits.

Loosen clamping nut and turn the protection guard according to the working conditions.

Afterwards, tighten the protection guard with clamping nut again.

Mounting the Auxiliary Handle

Depending on the working manner, screw the auxiliary handle to the right or left on the auxiliary-handle holder.

After loosening locking screw, the auxiliary-handle holder can be adapted to the respective working position in 30° steps.

When tightening locking screw, take care that the four positioning pins on the auxiliary-handle holder are seated in the holes of the protection guard.

Mounting Diamond Cutting Discs

- **Before any work on the machine itself, pull the mains plug.**
- **When mounting and replacing diamond cutting discs, it is recommended to wear protective gloves.**
- **Diamond cutting discs become very hot during operation; do not touch them until they have cooled down.**
- **Use only diamond-tipped cutting discs. Segmented diamond wheels may only have negative cutting angles and slots between the segments to a maximum of 10mm.**

Place the power tool on its side so that the cutting-depth scale can be seen.

Loosen clamping lever and adjust the least cutting depth.

Dismounting the Clamping Assembly (see figure A)

Press the spindle lock button to lock the grinding spindle.

► **Actuate the spindle lock button only when the grinder spindle is at a standstill.** Otherwise, the machine may become damaged.

Loosen the clamping nut with the two-pin spanner and unscrew the clamping nut. Remove the spacer discs and the mounting flange.

Clean the grinder spindle and all parts to be mounted.

Determining the Slot Width

The slot width results from the amount of spacer discs between the two diamond cutting discs and the cutting width of the diamond cutting discs.

The slot width is calculated as follows:

Slot width= Thickness of the spacer discs+ width of the diamond cutting discs.

The machine can be operated with one or two diamond cutting discs.

Mounting the Clamping Assembly (see figure A)

Set the mounting flange onto the grinder spindle. The mounting flange with its driving feature must be properly seated on the grinding spindle.

Place the diamond cutting disc and the spacer discs on the mounting flange.

► **Regardless of the requested slot width, all spacer discs provided must always be mounted.** Otherwise, the diamond cutting disc can become loose during operation and lead to injuries.

At least one spacer disc must be mounted between two diamond cutting discs.

When mounting the diamond cutting discs, ensure that the direction-of-rotation arrows on the diamond cutting discs match with the rotation direction of the machine (see direction-of-rotation arrow on the gear case).

Press the spindle lock button to lock the grinding spindle. Screw on the clamping nut and tighten it with the two-pin spanner.

When working with 2 diamond cutting discs, always replace them in pairs. See graphics page for the mounting sequence.

Note: The mounted diamond cutting discs protrude out of the protection guard, even at the least preselected cutting depth. Therefore, never set down the machine on the chaser rollers, but always aside.

Operation

Preselecting the Cutting Depth

► **The cutting depth may only be pre-**

lected when the machine is switched off.

Loosen clamping lever and adjust the desired cutting depth according to the cutting-depth scale. Afterwards, tighten clamping lever again.

Starting Operation

► **Observe correct mains voltage! The voltage of the power source must agree with the voltage specified on the nameplate of the machine. Power tools marked with 230V can also be operated with 220V.**

Switching On and Off

► **Before starting the machine, place the power tool in such a manner on both rear chaser rollers 3 that the diamond cutting discs do not touch the workpiece.** Otherwise, the diamond cutting discs can touch the workpiece, resulting in possible loss of control over the power tool when switching on.

To start the power tool, press the anti-lock button first and press on/off switch.

To turn off the power tool, release the power switch.

► **Never set down a coasting machine on the chaser rollers 3, but always aside, so that the diamond cutting discs can rotate freely and do not face toward your body.**

► **Check the diamond cutting discs before use. The diamond cutting disc(s) must be mounted properly and be able to rotate freely. Carry out a test run for at least one minute without any load. Do not use diamond cutting discs that are damaged, out-of-balance, or vibrate.** Damaged diamond cutting discs can rupture and lead to injuries.

Switch handle mounting positions (Fig. F)

The switch handle can be rotated to either 90° left or right to fit your work needs. First, unplug the tool.

Press the lock button and rotate the switch handle until the lock button automatically lock again. The switch handle will be locked in that position.

Switching on/off (Fig.G)

CAUTION:

Before plugging in the tool, always check to see that the switch trigger actuates properly and returns to the "OFF" position when released.

To prevent the trigger from being accidentally actuated, a lock lever is provided. To start the

tool, push the lock lever in and then pull the trigger. Release the trigger to stop.

Reduced starting current

The electronic reduced starting current limits the power consumption when switching the tool on and enables operation from a 13 ampere fuse.

Overload Protection

When overloaded, the motor comes to a stop. Relieve the load on the machine immediately and allow to cool down for approx. 30 seconds at the highest no-load speed.

Restarting Protection

The restarting protection feature prevents uncontrolled restarting of the machine after an interruption in the power supply.

To **restart the operation**, switch the On/Off switch to the Off position and start the machine again.

Note: Check the function of the restarting protection feature regularly by having the mains plug pulled during operation and plugged in again afterwards.

Working Advice

- ▶ **Exercise caution when cutting slots in structural walls; see Section “Information on Structures”.**
- ▶ **Do not strain the machine so heavily that it comes to a standstill.**
- ▶ **Clamp the workpiece if it does not remain stationary due to its own weight.**
- ▶ **The machine may only be used for dry cutting.**
- ▶ **Always guide the machine with both handles. Do not guide or carry the machine by the elbow.**
- Adjust the cutting depth, see section “Pre-selecting the Cutting Depth”. To compensate inaccuracies that occur when breaking away the fin, the cutting depth must be set approx. 3mm deeper than the requested slot depth.
- Place the power tool in such a manner on both rear chaser rollers, that the diamond cutting discs do not touch the workpiece.
- Switch the machine on and slowly plunge into the material.
- Guide the machine with both handles, applying moderate feed, suited to the material being worked.
- The machine must always work in an up-grinding motion. Otherwise, the danger exists of it being pushed **uncontrolled** out of the cut.
- The machine can be both pushed or pulled in the cutting direction. Vertical slots can

easily be cut by pulling the machine from top to bottom.

- After finishing the working procedure, swivel the diamond cutting discs out of the slot with the machine still running.
- Switch the power tool off.

Do not brake coasting diamond cutting discs by applying sideward pressure.

▶ **Never set down a coasting machine on the chaser rollers, but always aside, so that the diamond cutting discs can rotate freely and do not face toward your body.**

▶ **Diamond cutting discs become very hot during operation; do not touch them until they have cooled down.**

Remove the remaining fin of the material with the break-out tool.

Curved cuts are not possible, as the diamond cutting discs could jam in the material.

When cutting through plate materials, ensure that the materials are firmly backed on a surface or supported.

When breaking through walls, e.g. with a rotary hammer, most of the chipping-off of the surface material can be avoided by first cutting in a slot with maximum cutting depth.

For cutting especially hard material, e.g., concrete with high pebble content, the diamond cutting disc can overheat and become damaged as a result. This is clearly indicated by circular sparking, rotating with the diamond cutting disc. In this case, interrupt the cutting process and allow the diamond cutting disc to cool by running the machine for a short time at maximum speed with no load.

Noticeably decreasing work progress and circular sparking are indications of a diamond cutting disc that has become dull. Briefly cutting into abrasive material (e.g. lime-sand brick) can sharpen the disc again.

Maintenance and Cleaning

- ▶ **Before any work on the machine itself (e. g. maintenance, tool change, etc.) as well as during transport and storage, remove the battery from the power tool.** There is danger of injury when unintentionally actuating the On / Off switch.
- ▶ **For safe and proper working, always keep the machine and ventilation slots clean.**

When the battery is no longer operative, please refer to an authorised after-sales service agent for P.I.T. power tools.

Storage

- ▶ The specified storage period for the machine is 2 years.
- ▶ During the specified period, store the machine at an ambient temperature of 0 ° C to + 40 ° C and a relative humidity of no more than 80%.

Transportation

To transport the product, use the original or other packaging to prevent damage to the instrument and its components during transportation.

Dispose of waste

Damaged power tools, batteries, accessories and waste packaging materials must be recycled and reused in an environmentally friendly manner.



Do not throw power tools and accu-

mulators / batteries into general household waste!

Product serial number interpretation

No.

17	07	30	0395
----	----	----	------

Year month day

The first and second digits of the product serial number from left to right

indicate the year of production, the third and fourth digits indicate the month of production, the fifth and sixth digits indicate the production day.

TERMS OF WARRANTY SERVICE

1. This Warranty Certificate is the only document that confirms your right to free warranty service. Without presenting this certificate, no claims are accepted. In case of loss or damage, the warranty certificate is not restored.

2. The warranty period for the electric machine is 12 months from the date of sale, during the warranty period the service department eliminates manufacturing defects and replaces parts that have failed due to the fault of the manufacturer free of charge. In the warranty repair, an equivalent operable product is not provided. Replaceable parts become property of service providers.

P.I.T. is not liable for any damage that may be caused by operation of the electric machine.

3. Only clean tool accompanied with the following duly executed documents: this War-

ranty Certificate, Warranty Card, with all fields filled out, bearing the stamp of the trade organization and the signature of the buyer, shall be accepted for warranty repair.

4. Warranty repair is not performed in the following cases:

- in the absence of a Warranty Certificate and a Warranty Card or their incorrect execution;
- with failure of both a rotor and a stator of the electric engine, charring or melting of primary winding of the welding machine transformer, charging or starting-charging device, with internal parts melting, burn down of electronic circuit boards;

- if a Warranty Certificate or a Warranty Card does not correspond to this electric machine or to the form established by the supplier;

- upon expiration of the warranty period;
- at attempts of opening or repair of the electric machine outside the warranty workshop; making constructive changes and lubrication of the tool during the warranty period, as evidenced, for example, by the creases on the spline parts of the fasteners of non-rotational parts.

- when using electric tools for production or other purposes connected with making a profit, as well as in case of malfunctions related to instability of the power network parameters exceeding the norms established by GOST;

- in the events of improper operation (use the electric machine for other than intended purposes, attachments to the electric machine of attachments, accessories, etc. not provided by the manufacturer);

- with mechanical damage to the case, power cord and in case of damages caused by aggressive agents and high and low temperatures, ingress of foreign objects in the ventilation grids of the electric machine, as well as in case of damage resulting from improper storage (corrosion of metal parts);

- natural wear and tear on the parts of the electric machine, as a result of long-term operation (determined on the basis of the signs of full or partial depletion of the specified mean life, great contamination, presence of rust outside and inside the electric machine, waste lubricant in the gearbox);

- use of the tool the purposes for other than specified in the operating instructions.

- mechanical damages to the tool;

- in the event of damages due to non-observance of the operating conditions specified in the instruction (see chapter "Safety Precautions" of the Manual).

- damage to the product due to non-observance of the rules of storage and transportation.

Preventive maintenance of electric machines (cleaning, washing, lubrication, replacement of anthers, piston and sealing rings) during the warranty period is a paid service.

The service life of the product is 3 years. Shelf life is 2 years. It is not recommended for operation after 2 years of storage from the date of manufacture, which is indicated in the serial number on the label of the instrument, without preliminary verification (for the definition of the date of manufacture, see the User's Manual earlier).

The owner is notified of any possible violations of the above terms of warranty service upon completion of diagnostics in the service center.

The owner of the tool entrusts the diagnostic procedure to be conducted in the service center in his absence.

Do not operate the electric machine when there are signs of excessive heat, sparking, or noise in the gearbox. To determine the cause of the malfunction, the buyer should contact the warranty service center.

Malfunctions caused by late replacement of carbon brushes of the engine are eliminated at the expense of the buyer.

5. The warranty does not cover:

- replacement accessories (accessories and components), for example: batteries, discs, blades, drill bits, borers, chucks, chains, sprockets, collet clamps, guide rails, tension and fastening elements, trimming device heads, base of grinding and belt sander machines, hexagonal heads, etc.,
- fast wearing parts, for example: carbon brushes, drive belts, seals, protective covers, guiding rollers, guides, rubber seals, bearings, toothed belts and wheels, shanks, brake belts, starter ratchets and ropes, piston rings, etc. Their replacement during the warranty period is a paid service;
- power cords, in case of damage to the insulation, power cords are subject to mandatory replacement without the consent of the owner (paid service);
- tool case.

Русский

Указания по безопасности

Общие указания по технике безопасности для электроинструментов

**ПРЕДУПРЕЖДЕНИЕ**

Прочтите все указания и инструкции по технике безопасности.

Несоблюдение указаний и инструкций по технике безопасности может стать причиной поражения электрическим током, пожара и тяжелых травм.

Сохраняйте эти инструкции и указания для будущего использования.

Использованное в настоящих инструкциях и указаниях понятие «электроинструмент» распространяется на электроинструмент с питанием от сети (с сетевым шнуром) и на аккумуляторный электроинструмент (без сетевого шнура).

Безопасность рабочего места

- ▶ **Содержите рабочее место в чистоте и хорошо освещенным.** Беспорядок или неосвещенные участки рабочего места могут привести к несчастным случаям.
- ▶ **Не работайте с этим электроинструментом во взрывоопасном помещении, в котором находятся горючие жидкости, воспламеняющиеся газы или пыль.** Электроинструменты искрят, что может привести к воспламенению пыли или паров.
- ▶ **Во время работы с электроинструментом не допускайте близко к Вашему рабочему месту детей и посторонних лиц.** Отвлечшись, Вы можете потерять контроль над электроинструментом.

Электробезопасность

- ▶ **Штепсельная вилка электроинструмента должна подходить к штепсельной розетке.** Ни в коем случае не изменяйте штепсельную вилку. **Не применяйте переходные штекеры для электроинструментов с защитным заземлением.** Неизмененные штепсельные вилки и подходящие штепсельные розетки снижают риск поражения электротоком.
- ▶ **Предотвращайте телесный контакт с заземленными поверхностями, как то: с трубами, элементами отопления, кухонными плитами и холодильниками.** При заземлении Вашего тела повышается риск поражения электротоком.
- ▶ **Защищайте электроинструмент от до-**

жда и сырости. Проникновение воды в электроинструмент повышает риск поражения электротоком.

- ▶ **Не разрешается использовать шнур не по назначению, например, для транспортировки или подвески электроинструмента, или для вытягивания вилки из штепсельной розетки.** Защищайте шнур от воздействия высоких температур, масла, острых кромок или подвижных частей электроинструмента. Поврежденный или спутанный шнур повышает риск поражения электротоком.
- ▶ **При работе с электроинструментом под открытым небом применяйте пригодные для этого кабели удлинители.** Применение пригодного для работы под открытым небом кабеля удлинителя снижает риск поражения электротоком.
- ▶ **Если невозможно избежать применения электроинструмента в сыром помещении, подключайте электроинструмент через устройство защитного отключения.** Применение устройства защитного отключения снижает риск электрического поражения.

Безопасность людей

- ▶ **Будьте внимательными, следите за тем, что Вы делаете, и продуманно начинайте работу с электроинструментом.** Не пользуйтесь электроинструментом в усталом состоянии или если Вы находитесь в состоянии наркотического или алкогольного опьянения или под воздействием лекарств. Один момент невнимательности при работе с электроинструментом может привести к серьезным травмам.
- ▶ **Применяйте средства индивидуальной защиты и всегда защитные очки.** Использование средств индивидуальной защиты, как то: защитной маски, обуви на нескользящей подошве, защитного шлема или средств защиты органов слуха, – в зависимости от вида работы с электроинструментом снижает риск получения травм.
- ▶ **Предотвращайте непреднамеренное включение электроинструмента.** Перед подключением электроинструмента к электропитанию и/или к аккумулятору убедитесь в выключенном состоянии электроинструмента. Удержание пальца на выключателе при

транспортировке и подключение к сети питания включенного электроинструмента чревато несчастными случаями.

- ▶ **Убирайте установочный инструмент или гаечные ключи до включения электроинструмента.** Инструмент или ключ, находящийся во вращающейся части электроинструмента, может привести к травмам.
- ▶ **Не принимайте неестественное положение корпуса тела. Всегда занимайте устойчивое положение и сохраняйте равновесие.** Благодаря этому Вы можете лучше контролировать электроинструмент в неожиданных ситуациях.
- ▶ **Носите подходящую рабочую одежду. Не носите широкую одежду и украшения. Держите волосы, одежду и рукавицы вдали от движущихся частей.** Широкая одежда, украшения или длинные волосы могут быть затянuty вращающимися частями.
- ▶ **При наличии возможности установки пылеотсасывающих и пылесборных устройств проверяйте их присоединение и правильное использование.** Применение пылесоса может снизить опасность, создаваемую пылью.

Применение электроинструмента и обращение с ним

- ▶ **Не перегружайте электроинструмент. Используйте для Вашей работы предназначенный для этого электроинструмент.** С подходящим электроинструментом Вы работаете лучше и надежнее в указанном диапазоне мощности.
- ▶ **Не работайте с электроинструментом при неисправном выключателе.** Электроинструмент, который не поддается включению или выключению, опасен и должен быть отремонтирован.
- ▶ **До начала наладки электроинструмента, перед заменой принадлежностей и прекращением работы отключайте штепсельную вилку от розетки сети и/или выньте аккумулятор.** Эта мера предосторожности предотвращает непреднамеренное включение электроинструмента.
- ▶ **Храните электроинструменты в недоступном для детей месте. Не разрешайте пользоваться электроинструментом лицам, которые не знакомы с ним или не читали настоящих инструкций.** Электроинструменты опасны

в руках неопытных лиц.

- ▶ **Тщательно ухаживайте за электроинструментом.** Проверяйте безупречную функцию и ход движущихся частей электроинструмента, отсутствие поломок или поврежденных, отрицательно влияющих на функцию электроинструмента. Поврежденные части должны быть отремонтированы до использования электроинструмента. Плохое обслуживание электроинструментов является причиной большого числа несчастных случаев.
- ▶ **Держите режущий инструмент в заточенном и чистом состоянии.** Заботливо ухоженные режущие инструменты с острыми режущими кромками режут заклиниваются и их легче вести.
- ▶ **Применяйте электроинструмент, принадлежности, рабочие инструменты и т. п. в соответствии с настоящими инструкциями.** Учитывайте при этом рабочие условия и выполняемую работу. Использование электроинструментов для непредусмотренных работ может привести к опасным ситуациям.

Сервис

- ▶ **Ремонт Вашего электроинструмента поручайте только квалифицированному персоналу и только с применением оригинальных запасных частей.** Этим обеспечивается безопасность электроинструмента.

Указания по технике безопасности для абразивно-отрезных машин

- ▶ **Входящий в комплект поставки защитный кожух должен быть надежно закреплен на электроинструменте и установлен так, чтобы обеспечить наибольшую безопасность, т.е. так, чтобы в сторону оператора смотрела как можно меньшая часть неприкрытого абразивного инструмента. Не заходите сами и не допускайте находящегося вблизи Вас лиц в зону вращения шлифовального круга. Защитный кожух должен защищать оператора от обломков и случайного контакта с абразивным инструментом.**
- ▶ **Используйте на Вашем электроинструменте только усиленные ровные отрезные круги или алмазные отрезные круги. Одна лишь возможность закрепления принадлежности на Вашем**

электроинструменте не гарантирует безопасной работы.

- ▶ **Допустимое число оборотов рабочего инструмента должно быть не менее указанного на электроинструменте максимального числа оборотов.** Оснастка, вращающаяся с большей, чем допустимо скоростью, может разорваться и разлететься в пространстве.
- ▶ **Абразивные инструменты можно использовать только для рекомендованных видов работ.** Напр.: Никогда не шлифуйте боковой поверхностью отрезного круга. Отрезные круги предназначены для снятия материала кромкой круга. Приложение боковой силы может привести к разлому этого типа абразивного инструмента.
- ▶ **Всегда используйте для выбранного Вами шлифовального круга только неповрежденный зажимной фланец соответствующего размера.** Подходящий фланец поддерживает шлифовальный круг и уменьшает, таким образом, опасность разлома шлифовального круга.
- ▶ **Наружный диаметр и толщина рабочего инструмента должны соответствовать размерам Вашего электроинструмента.** Неправильно соразмеренные рабочие инструменты не могут быть в достаточной степени защищены и могут выйти из-под контроля.
- ▶ **Шлифовальные круги и фланцы должны точно подходить к шлифовальному шпинделю Вашего электроинструмента.** Рабочие инструменты, которые не точно подходят к шлифовальному шпинделю электроинструмента, вращаются неравномерно, очень сильно вибрируют и могут выйти из-под контроля.
- ▶ **Не используйте поврежденные шлифовальные круги.** Перед каждым применением проверяйте шлифовальные круги на предмет сколов и трещин. При падении электроинструмента или шлифовального круга проверьте, не повредился ли он, или используйте неповрежденный шлифовальный круг. После проверки и установки шлифовального круга не заходите и не допускайте находящихся вблизи Вас лиц в зону вращения шлифовального круга. Электроинструмент должен прора-

ботать на протяжении одной минуты с максимальным числом оборотов. Поврежденные шлифовальные круги ломаются, как правило, в течение этого пробного отрезка времени.

- ▶ **Применяйте средства индивидуальной защиты.** В зависимости от выполняемой работы применяйте защитный щиток для лица, защитные очки. Насколько уместно, применяйте противопылевой респиратор, средства защиты органов слуха, защитные перчатки или специальный фартук, которые защищают Вас от абразивных частиц и частиц материала. Глаза должны быть защищены от летающих в воздухе посторонних частиц, которые могут образовываться при выполнении различных работ. Противопылевой респиратор или защитная маска органов дыхания должны задерживать образующуюся при работе пыль. Продолжительное воздействие сильного шума может привести к потере слуха.
- ▶ **Следите за тем, чтобы все лица находились на безопасном расстоянии от рабочего участка.** Каждое лицо в пределах рабочего участка должно иметь средства индивидуальной защиты. Осколки детали или разорванных рабочих инструментов могут отлететь в сторону и стать причиной травм также и за пределами непосредственного рабочего участка.
- ▶ **Держите электроинструмент только за изолированные поверхности рукояток, если Вы выполняете работы, при которых рабочий инструмент может попасть на скрытую электропроводку или на собственный сетевой шнур.** Контакт с проводкой под напряжением может зарядить металлические части электроинструмента и привести к поражению электротоком.
- ▶ **Держите шнур питания на расстоянии от вращающихся рабочих инструментов.** При потере контроля над электроинструментом шнур питания может быть перерезан или затянута в инструмент, а Ваша рука может попасть во вращающийся рабочий инструмент.
- ▶ **Прежде чем отложить электроинструмент, подождите, пока рабочий инструмент полностью не остановится.** Вращающийся рабочий инструмент

может прикоснуться к поверхности, на которую Вы его кладете, вследствие чего Вы можете потерять контроль над электроинструментом.

- ▶ **Выключайте электроинструмент при транспортировке.** Ваша одежда может быть случайно захвачена вращающимся рабочим инструментом, и рабочий инструмент может нанести Вам травму.
- ▶ **Регулярно очищайте вентиляционные прорези Вашего электроинструмента.** Вентилятор двигателя затягивает пыль в корпус, и большое скопление металлической пыли может привести к электрической опасности.
- ▶ **Не пользуйтесь электроинструментом вблизи горючих материалов.** Искры могут воспламенить эти материалы.
- ▶ **Не применяйте рабочие инструменты, требующие применение охлаждающих жидкостей.** Применение воды или других охлаждающих жидкостей может привести к поражению электротоком.

Обратный удар и соответствующие предупреждающие указания

- ▶ Рикошет – это внезапная реакция электроинструмента на заклинивание или блокировку вращающегося шлифовального круга. Заклинивание или блокировка приводят к внезапной остановке вращающегося рабочего инструмента. Вследствие этого электроинструмент выходит из-под контроля и ускоряется против направления вращения отрезного круга в месте блокировки. Если, напр., шлифовальный круг застрянет в заготовке, погруженный в заготовку край шлифовального круга может заклинить в заготовке, вследствие чего шлифовальный круг может отскочить или стать причиной рикошета. В результате шлифовальный круг перемещается в сторону пользователя или в направлении от него, в зависимости от направления вращения круга в месте блокировки. Вследствие этого шлифовальные круги могут также разламываться. Рикошет возникает вследствие неправильного использования электроинструмента. Его можно избежать подходящими мерами предосторожности, описанными далее.
- ▶ **Крепко держите электроинструмент, Ваше тело и руки должны занять по-**

ложение, в котором Вы можете противодействовать обратным силам. При наличии, всегда применяйте дополнительную рукоятку, чтобы как можно лучше противодействовать обратным силам или реакционным моментам при наборе оборотов. Оператор может подходящими мерами предосторожности противодействовать силам обратного удара и реакционным силам.

- ▶ **Ваша рука никогда не должна быть вблизи вращающегося рабочего инструмента.** При обратном ударе рабочий инструмент может отскочить Вам на руку.
- ▶ **Избегайте зоны спереди и сзади вращающегося отрезного круга.** Вследствие рикошета электроинструмент отскакивает в противоположном к вращению шлифовального круга направлении в месте блокировки.
- ▶ **Особенно осторожно работайте на углах, острых кромках и т.д. Предотвращайте отскок рабочего инструмента от заготовки и его заклинивание.** Вращающийся рабочий инструмент склонен к заклиниванию на углах, острых кромках и при отскоке. Это вызывает потерю контроля или обратный удар.
- ▶ **Не используйте цепные пильные диски или пильные диски с зубьями, а также сегментированные алмазные круги со шлицами, ширина которых превышает 10мм.** Такие рабочие инструменты часто приводят к рикошету или потере контроля над электроинструментом.
- ▶ **Старайтесь избегать заклинивания отрезного круга или слишком сильного нажатия на инструмент. Не делайте слишком глубокие надрезы.** Перегрузка отрезного круга повышает нагрузку на него, отрезной круг может перекоситься или застрять в заготовке, что может привести к рикошету или разлому абразивного инструмента.
- ▶ **Если отрезной круг заклинило или Вы хотите сделать перерыв, выключите электроинструмент и спокойно держите его, пока круг не остановится. Никогда не пытайтесь вытащить из прорези еще вращающийся отрезной круг, иначе это может привести к рикошету.** Выясните и устраните причину заклинивания.

- ▶ Не включайте повторно электроинструмент, пока абразивный инструмент находится в заготовке. Дайте отрезному кругу развить полное число оборотов, перед тем как Вы осторожно продолжите резание. В противном случае круг может заесть, он может выскочить из обрабатываемой заготовки и привести к обратному удару.
- ▶ Плиты или большие заготовки должны быть надежно подперты, чтобы снизить опасность обратного удара при заклинивании отрезного круга. Большие заготовки могут прогибаться под собственным весом. Заготовка должна опираться с обеих сторон, как вблизи разреза, так и по краям.
- ▶ Будьте особенно осторожны при выполнении разрезов в стенах или других местах, куда нельзя заглянуть. Погружающийся отрезной круг может при попадании на газопровод или водопровод, электрическую проводку или другие объекты привести к обратному удару.

Дополнительные предупредительные указания



Используйте защитные очки.

- ▶ Закрепляйте и фиксируйте заготовку на стабильном основании с помощью струбцины или другим способом. Если Вы будете удерживать заготовку рукой или прижимать ее к себе, ее положение будет недостаточно стабильно, в результате чего возможна утрата контроля.
 - ▶ Надевайте средства защиты органов слуха, защитные очки, пылезаститную маску и рукавицы. В качестве пылезаститной маски используйте как минимум полумаску класса FFP2.
 - ▶ Используйте соответствующие металлоискатели для нахождения спрятанных в стене труб или проводки или обращайтесь за справкой в местное коммунальное предприятие. Контакт с электропроводкой может привести к пожару и поражению электротоком. Повреждение газопровода может привести к взрыву. Повреждение водопровода ведет к нанесению материального ущерба или может вызвать поражение электротоком.
- ▶ После работы не прикасайтесь к отрезному кругу, пока он не остынет. Отрезной круг очень нагревается во время работы.
 - ▶ Всегда держите электроинструмент во время работы обеими руками, зная предварительно устойчивое положение. Двумя руками Вы работаете более надежно с электроинструментом.

Описание продукта и усуг



Прочтите все указания и инструкции по технике безопасности.

Упущения в отношении указаний и инструкций по технике безопасности могут стать причиной поражения электрическим током, пожара и тяжелых травм. Пожалуйста, откройте раскладную страницу с иллюстрациями электроинструмента и оставляйте ее открытой, пока Вы изучаете руководство по эксплуатации.

Применение по назначению

Настоящий электроинструмент предназначен для отрезания или проделывания пазов преимущественно в минеральных материалах, как то, железобетоне, каменной кладке и в дорожных покрытиях, с применением пылесоса для класса пыли M, прочно опираясь на направляющие салазки, без применения воды.

Изображенные составные части

Нумерация представленных компонентов выполнена по изображению на странице с иллюстрациями.

- (1) Кнопка фиксации шпинделя
- (2) Шкала глубины пропила
- (3) Зажимный рычаг для настройки ограничителя глубины
- (4) Кнопка блокировки выключателя
- (5) Выключатель
- (6) Защитный кожух с направляющими салазками
- (7) Зажимная гайка
- (8) Двусторонний гаечный ключ для зажимных гаек
- (9) Алмазный отрезной круг
- (10) Патрубок отсоса
- (11) Зажимной винт для крепления дополнительной рукоятки
- (12) Крепление дополнительной рукоятки
- (13) Дополнительная рукоятка
- (14) Ходовые ролики
- (15) Крышка угольных щеток
- (16) Опорный фланец
- (17) Распорные шайбы
- (18) Шлифовальный шпиндель

(19) Шестигранный ключ

(20) Зажимная гайка

Технические данные

Модель	PWC150-C
Номинальные напряжение/частота	220 В / 50 Гц
Номинальная мощность	1700 Вт
Номинальное число оборотов	8000 об/мин
Резьба шпинделя	M14
Вес	4 кг
Диаметр диска	150 мм
Глубина штробления	0-35 мм
Ширина штробления	3-30 мм

Комплект поставки

Штроборез	1 шт
Защитный кожух	1 шт
Дополнительная рукоятка	1 шт
Зажимной рычаг	1 шт
Патрубок отсоса	1 шт
Зажимной ключ	1 шт
Шестигранный ключ	1 шт
Кольцо фиксации патрубка	1 шт

Примечание

Так как изделие постоянно совершенствуется, P.I.T. оставляет за собой право внесение изменений в указанные здесь технические характеристики и комплектацию изделия без предварительного уведомления.

Сборка

► **Перед любыми манипуляциями с электроинструментом вытаскивайте штепсель из розетки.**

Пылеотсос

► Пыль некоторых материалов, как напр., красок с содержанием свинца, некоторых сортов древесины, минералов и металлов, может быть вредной для здоровья. Прикосновение к пыли и попадание пыли в дыхательные пути может вызвать аллергические реакции и/или заболевания дыхательных путей оператора или находящегося вблизи персонала. Определенные виды пыли, напр., дуба и бука, считаются канцерогенными, особенно совместно с присадками для обработки древесины (хромат, средство для защиты древесины). Материал с содержанием асбеста разрешается обрабатывать только специалистам.

– По возможности используйте пригод-

ный для материала пылеотсос.

- Хорошо проветривайте рабочее место.
 - Реко мендуется пользоваться респираторной маской с фильтром класса P2.
- Соблюдайте действующие в Вашей стране предписания для обрабатываемых материалов.

Пылесос должен иметь допуск на отсасывание каменной пыли. Фирма P.I.T. предлагает соответствующие пылесосы.

► **Избегайте скопления пыли на рабочем месте.** Пыль может легко воспламеняться.

Электроинструмент может быть подключен прямо к штепсельной розетке универсального пылесоса фирмы P.I.T. с устройством дистанционного пуска. Пылесос автоматически запускается при включении электроинструмента.

Наденьте отсасывающее колено на патрубок отсоса и подключите шланг отсасывания(принадлежности). Соедините шланг отсасывания с пылесосом (принадлежности). Обзор различных пылесосов, с которыми можно использовать электроинструмент, Вы найдете в конце данного руководства.

Указания для применения бороздодела

Для снижения пылеобразования при работе учитывайте следующие указания.

- При меняйте только рекомендуемые фирмой P.I.T. комбинации бороздодела и пылесоса для пыли класса M. Другие комбинации могут привести к худшему сбору и выделению пыли.
- Соблюдайте руководство по эксплуатации пылесоса при техобслуживании и очистке пылесоса, включая фильтры. Опорожняйте сборный контейнер пыли сразу, как только он будет заполнен. Регулярно очищайте фильтры пылесоса и всегда устанавливайте все фильтры в пылесос.
- При меняйте только предусмотренные фирмой P.I.T. отсасывающие шланги. Не переделывайте отсасывающий шланг. При попадании кусков камня в шланг отсасывания следует немедленно прервать работу и очистить шланг. Избегайте перегибов шланга отсасывания.
- Используйте бороздодел только в соответствии с назначением.
- При меняйте только безупречные и острые рабочие инструменты. Заметное падение производительности указывает

на износ рабочих инструментов.

- Учитывайте общие требования к рабочим местам на стройплощадках.
- Обеспечивайте хорошую вентиляцию.
- Рабочая зона должна всегда быть свободной. При длинных пазах пылесос должен быть в состоянии свободно подъезжать или его нужно своевременно подтягивать.
- Пользуйтесь средствами защиты органов слуха, респиратором и при необходимости перчатками. В качестве маски используйте как минимум полумаску с фильтром класса FFP2.
- Для очистки рабочего места применяйте пригодный пылесос. Не поднимайте пыль метлой.

Настройка защитного кожуха

Защитный кожух можно отрегулировать в определенных пределах.

Ослабьте зажимную гайку и поверните защитный кожух в соответствии с условиями работы.

Затем снова затяните защитный кожух с помощью зажимной гайки.

Установка дополнительной рукоятки

Прикрутите дополнительную рукоятку в зависимости от способа работы справа и слева на креплении для дополнительной рукоятки.

После того, как будет отпущен зажимной винт, крепление дополнительной рукоятки можно переставлять с интервалом в 30° в зависимости от рабочего положения.

При затягивании зажимного винта следите за тем, чтобы стопорных штифта на креплении дополнительной рукоятки вошли в отверстие на защитном кожухе.

Установка алмазного отрезного круга

- ▶ **Перед любыми манипуляциями с электроинструментом вытаскивайте штепсель из розетки.**
- ▶ **Для установки и смены алмазного отрезного круга рекомендуется пользоваться защитными перчатками.**
- ▶ **При работе алмазные отрезные круги сильно нагреваются, не прикасайтесь к ним, пока они не остынут.**
- ▶ **Используйте только алмазные отрезные круги. Сегментированные алмазные круги должны иметь только отрицательные углы резания, а максимальная ширина шлицов между**

сегментами должна составлять 10мм.

Положите электроинструмент набок, чтобы была видна шкала глубины пропила.

Отпустите зажимный рычаг и установите минимальную глубину пропила.

Демонтаж крепежных устройств (см.рис. А)

Нажмите на кнопку блокировки шпинделя для его фиксирования.

▶ **Нажимайте на кнопку фиксации шпинделя только при остановленном шпинделе!** В противном случае электроинструмент может быть поврежден.

Отпустите зажимную гайку ключом и полностью открутите зажимную гайку. Снимите распорные шайбы и опорный фланец.

Очищайте шлифовальный шпиндель и все монтируемые части.

Определение ширины паза

Ширина паза определяется числом распорных шайб между двумя алмазными отрезными кругами и шириной разреза алмазных отрезных кругов.

Ширина паза рассчитывается следующим образом: ширина паза = толщина распорных шайб + ширина алмазных отрезных кругов.

Вы можете использовать электроинструмент с одним или двумя алмазными отрезными кругами.

Зажимные устройства (см.рис.А)

Установите опорный фланец на шпиндель. Опорный фланец должен точно сесть своим поводком на шпиндель.

Установите алмазный отрезной круг и распорные шайбы на опорный фланец.

▶ **Независимо от желаемой ширины паза всегда должны устанавливаться все поставленные распорные шайбы.** Иначе алмазный отрезной круг может во время работы соскочить со шпинделя и причинить травмы.

Между двумя алмазными отрезными кругами должна быть установлена, по крайней мере, одна распорная шайба.

При применении алмазных отрезных кругов следите за тем, чтобы стрелка направления вращения на алмазном отрезном круге соответствовала направлению вращения электроинструмента (см. стрелку на редукторной головке).

Нажмите на кнопку блокировки шпинделя для его фиксирования.

Навинтите зажимную гайку и затяните ее двухсторонним гаечным ключом.

При работе с двумя алмазными отрезными

кругами меняйте их всегда парами.

Последовательность монтажа показана на странице с иллюстрациями.

Указание: Монтированные алмазные отрезные круги выглядят из-под защитного кожуха даже при минимально установленной глубине резания. Поэтому никогда не устанавливайте электроинструмент на ходовые ролики, а всегда кладите его набок.

Работа с инструментом

Предварительный выбор глубины пропила

► Установку глубины пропила разрешается выполнять только при выключенном электроинструменте.

Отпустите зажимный рычаг и установите необходимую глубину пропила по шкале глубины пропила. Потом снова затяните зажимный рычаг.

Включение электроинструмента

► **Учитывайте напряжение сети!** Напряжение источника тока должно соответствовать данным на заводской табличке электроинструмента. Электроинструменты на 230В могут работать также и при напряжении 220В.

Включение/выключение

► **Перед включением электроинструмента поставьте его на оба задних ходовых ролика 3 таким образом, чтобы алмазные отрезные круги не соприкасались с заготовкой.** Иначе алмазные отрезные круги могут соприкоснуться с заготовкой и Вы можете потерять контроль над электроинструментом при его включении.

Монтажные положения рукоятки переключателя (рис. F)

Рукоятку переключателя можно поворачивать на 90 ° влево или вправо в зависимости от ваших рабочих потребностей. Сначала отключите инструмент от сети.

Нажмите кнопку блокировки и поверните ручку переключателя, пока кнопка блокировки снова не заблокируется автоматически. Ручка переключателя будет заблокирована в этом положении.

Предупреждение: (рис. G)

Перед подключением инструмента всегда проверяйте, что триггерный переключатель срабатывает правильно и возвращается в положение «ВЫКЛ» при отпускании.

Для предотвращения случайного срабатывания спускового крючка предусмотрен рычаг блокировки. Чтобы запустить ин-

струмент, нажмите на рычаг блокировки, а затем нажмите на спусковой крючок. Отпустите курок, чтобы остановиться.

Для **включения** электроинструмента передвиньте выключатель вперед и затем нажмите на него.

Чтобы запустить электроинструмент, сначала нажмите кнопку антиблокировки и нажмите выключатель.

Чтобы выключить электроинструмент, отпустите выключатель питания.

В целях экономии электроэнергии включайте электроинструмент только тогда, когда Вы собираетесь работать с ним.

► **Перед работой проверяйте алмазный отрезной круг. Алмазный отрезной круг должен быть безупречно установлен и свободно вращаться. Выполните пробное включение в течение не менее 1 минуты без нагрузки. Не применяйте поврежденные и вибрирующие алмазные отрезные круги или круги с отклонениями от круглости. Поврежденные алмазные отрезные круги могут разорваться и нанести травмы.**

Указания по применению

- **Осторожно при продельвании пазов в капитальных стенах, см. раздел «Указания по статике».**
- **Не нагружайте электроинструмент до его остановки.**
- **Закрепляйте заготовку, если ее собственный вес не обеспечивает надежное положение.**
- **Данный электроинструмент разрешается применять только для сухого резания.**
- **Всегда держите электроинструмент за обе ручки. Не держите и не переносите электроинструмент за отсасывающее колено.**
- Установите глубину пропила, см. раздел «Предварительный выбор глубины пропила». Для выравнивания неточностей, возникающих при выламывании перемычки, глубину пропила нужно задавать прилб. на 3мм больше желаемой глубины паза.
- Поставьте электроинструмент на оба задних ходовых ролика таким образом, чтобы алмазные отрезные круги не соприкасались с заготовкой.
- Включите электроинструмент и медленно утопите его в материале.
- Ведите электроинструмент за обе ручки

с умеренной, соответствующей обрабатываемому материалу подачей.

- Всегда ведите электроинструмент против направления вращения. В противном случае возникает опасность **неконтролируемого** выхода из прорези.
- В направлении резания электроинструмент можно как толкать, так и тянуть. Вертикальные пазы легче выполнять, подтягивая электроинструмент сверху вниз.
- По завершении рабочей операции при включенном двигателе выгашите алмазные отрезные круги из паза.
- Выключите электроинструмент.

Не затормаживайте алмазный отрезной круг на выбеге боковым давлением.

- ▶ **Не ставьте электроинструмент, детали которого еще продолжают вращаться по инерции, на ходовые ролики 3, а положите его набор так, чтобы алмазные отрезные круги могли свободно вращаться и не смотрели на Вас.**

- ▶ **При работе алмазные отрезные круги сильно нагреваются, не прикасайтесь к ним, пока они не остынут.**

Оставшуюся перемычку в материале выломать с помощью инструмента для выламывания.

Криволинейные пазы невозможны, так как алмазные отрезные круги перекашиваются в материале.

При разрезании плит плиты должны лежать или опираться на прочное основание. При выполнении проломов в стенах, например, с помощью перфоратора, Вы можете в значительной степени предотвратить скалывание материала на поверхности, выполнив предварительно бороздоделом паз с максимальной глубиной.

При обработке особо твердых материалов, например, бетона с высоким содержанием гравия, алмазный отрезной круг может перегреться и быть поврежден. Вращающийся с алмазным отрезным кругом снап искр однозначно указывает на это.

В таком случае прервите процесс и дайте алмазному отрезному кругу остыть на холостом ходу при максимальной скорости в течение короткого времени.

Значительное снижение производительности и вращающийся снап искр говорят о том, что алмазный отрезной круг притупился. Алмазный отрезной круг Вы можете заточить короткими резами в абразивном

материале (например, в силикатном кирпиче).

Хранение

- ▶ Установленный срок хранения машины составляет 2 года.
- ▶ Во время установленного срока хранения машину при температуре окружающей среды от 0°C до плюс 40°C и относительной влажности воздуха не более 80%.

Транспортировка

Для транспортировки изделия используйте заводскую или иную упаковку, исключая повреждение инструмента и его компонентов в процессе транспортировки.

Утилизация

Отслужившие свой срок электроинструменты, принадлежности и упаковку следует сдавать на экологически чистую переработку отходов.



Утилизируйте электроинструмент отдельно от бытового мусора!

РАСШИФРОВКА ДАТЫ ИЗГОТОВЛЕНИЯ ИЗДЕЛИЯ

№.

1	7	0	7	3	0	0	3	9	5
---	---	---	---	---	---	---	---	---	---

год месяц день

Дата изготовления изделия зашифрована в серийном номере, напечатанном на корпусе инструмента. Первые 2 цифры обозначают год выпуска, следующие 2 цифры – месяц и следующие 2 цифры – день.

УСЛОВИЯ ГАРАНТИЙНОГО ОБСЛУЖИВАНИЯ

1. Настоящее гарантийное свидетельство является единственным документом, подтверждающим ваше право на бесплатное гарантийное обслуживание. Без предъявления данного свидетельства претензии не принимаются. В случае утери или порчи гарантийное свидетельство не восстанавливается.

2. Гарантийный срок на электроинструмент, а также зарядные устройства и аккумуляторные батареи серии OnePower составляет 12 месяцев со дня продажи, в течение гарантийного срока сервисная служба бесплатно устраняет производственные

дефекты и производит замену деталей, вышедших из строя по вине изготовителя. На период гарантийного ремонта эквивалентный исправный инструмент не предоставляется. Заменяемые детали переходят в собственность служб сервиса.

Компания P.I.T. не несет ответственности за вред, который может быть причинен при работе с электроинструментом.

3.В гарантийный ремонт инструмент принимается в чистом виде, при обязательном наличии надлежащим образом оформленных документов: настоящего гарантийного свидетельства, гарантийного талона, с полностью заполненными полями, штампом торговой организации и подписью покупателя.

4.Гарантийный ремонт не производится в следующих случаях:

- при отсутствии гарантийного свидетельства и гарантийного талона или неправильном их оформлении;
- при совместном выходе из строя якоря и статора электродвигателя, при обугливание или оплавлении первичной обмотки трансформатора сварочного аппарата, зарядного или пуско-зарядного устройства, при оплавлении внутренних деталей, прожиге электронных плат;
- если гарантийное свидетельство или талон не принадлежат данному электроинструменту или не соответствует установленному поставщиком образцу;
- по истечении срока гарантии;
- при попытках самостоятельного вскрытия или ремонта электроинструмента вне гарантийной мастерской;
- внесения конструктивных изменений и смазки инструмента в гарантийный период, о чем свидетельствуют, например, заломы на шлицевых частях крепежа корпусных деталей.
- при использовании электроинструмента в производственных или иных целях, связанных с получением прибыли, а также при возникновении неисправностей связанных с нестабильностью параметров электросети, превышающих нормы, установленные ГОСТ;
- при неправильной эксплуатации (использование электроинструмента не по назначению, установки на электроинструмент не предназначенных заводом-изготовителем насадок, дополнительных приспособлений и т.п.;
- при механических повреждениях корпу-

са, сетевого шнура и при повреждениях, вызванных воздействиями агрессивных средств и высоких и низких температур, попадании инородных предметов в вентиляционные решетки электроинструмента, а также при повреждениях, наступивших в результате неправильного хранения (коррозия металлических частей);

- при естественном износе деталей электроинструмента, в результате длительной эксплуатации (определяется по признакам полной или частичной выработки ресурса, сильного загрязнения, ржавчины снаружи и внутри электроинструмента, отработанной смазки в редукторе);

- использование инструмента не по назначению, указанному в инструкции по эксплуатации.

- при механических повреждениях инструмента;

- при возникновении повреждений в связи с несоблюдением предусмотренных инструкцией условий эксплуатации (см. главу «Указание по технике безопасности» в инструкции).

- повреждение изделия вследствие несоблюдения правил хранения и транспортировки.

Профилактическое обслуживание электроинструмента (чистка, промывка, смазка, замена пыльников, поршневых и уплотнительных колец) в гарантийный период является платной услугой.

Срок службы изделия составляет 3 года. Срок хранения – 2 года. Не рекомендуется к эксплуатации по истечении 2 лет хранения с даты изготовления, которая указана в серийном номере на этикетке инструмента, без предварительной проверки (определение даты выпуска смотрите ранее в Руководстве пользователя).

О возможных нарушениях, изложенных выше условий гарантийного обслуживания, владельцу сообщается после проведения диагностики в сервисном центре.

Владелец инструмента доверяет проведение диагностики в сервисном центре в свое отсутствие.

Запрещается эксплуатация электроинструмента при проявлении признаков повышенного нагрева, искрения, а также шума в редукторной части. Для выяснения причин неисправности покупателю следует обратиться в гарантийную мастерскую.

Неисправности, вызванные несвоевременной заменой угольных щеток двигателя,

устраняются за счет покупателя.

5.Гарантия не распространяется на:

- сменные принадлежности (аксессуары и оснастка), например: аккумуляторы, диски, ножи, сверла, буры, патроны, цепи, звездочки, цанговые зажимы, шины, элементы натяжения и крепления, головки триммеров, подошвы шлифовальных и ленточных машин, фильтры, головки шестигранные сменные насадки и т.п.

- быстроизнашивающиеся детали, например: угольные щетки, приводные ремни, сальники, защитные кожухи, направляющие ролики, направляющие, резиновые уплотнения, подшипники, зубчатые ремни и колеса, стволы, ленты тормоза, храповики и тросы стартеров, поршневые кольца и т.п.

Замена их в течение гарантийного срока является платной услугой.

-шнуры питания, в случае повреждения изоляции, шнуры питания подлежат обязательной замене без согласия владельца (услуга платная), в т.ч. корпуса инструмента.

ГАРАНТИЙНОЕ СВИДЕТЕЛЬСТВО НА ИНСТРУМЕНТ P.I.T.

Наименование изделия _____

Серийный номер изделия □□□□□□□□□□

Серийный номер зарядного устройства □□□□□□□□□□

Дата продажи « ____ » _____

Наименование торговой организации _____

Уважаемый покупатель!

М.П.

Благодарим Вас за покупку инструмента P.I.T. и надеемся, что Вы останетесь довольны своим выбором.

При необходимости обслуживания Вашего изделия обращайтесь в авторизованные сервисные центры P.I.T. Все сервисные центры представлены на сайте www.pittools.ru

Внимание!

При покупке требуйте у продавца проверки работоспособности инструмента и его комплектности, а также заполнения гарантийного свидетельства, гарантийного талона (графы «Заполняются продавцом») и простановки печати торговой организации в гарантийном свидетельстве и гарантийных талонах.

Гарантия

На основании данного гарантийного свидетельства компания P.I.T. гарантирует отсутствие дефектов производственного характера.

Если в течение гарантийного срока в Вашем изделии обнаружатся указанные дефекты, то специализированные сервисные центры P.I.T. бесплатно отремонтируют изделие и заменят дефектные запасные части.

Гарантийный срок на электроинструменты P.I.T. составляет 12 месяцев со дня продажи.

«С условиями гарантийного обслуживания ознакомлен(а). Работоспособность и комплектность изделия проверены в моем присутствии. Претензий к качеству и внешнему виду не имею».

Подпись покупателя _____ Фамилия (разборчиво)

Телефон _____

P.I.T. WARRANTY CARD

Name _____ Serial Number _____ Sale Date _____ 20__ Date of Receipt from Repair _____ 20__	P.I.T.		№ 1
	Name _____		Place of Seal
	Serial Number _____		
	Sale Date _____ 20__		
	(Filled out by a Seller)		
	WARRANTY REPAIR CARD		
	Date of Acceptance for Repair _____ 20__		
	Application for Repair _____		
	Customer _____		
	Phone (Address) _____		
Cause of Application _____			
Date of Receipt from Repair _____ 20__			
The Tool is checked in my presence _____			
(The Order shall be performed in a Service Center) (Signature)			

Name _____ Serial Number _____ Sale Date _____ 20__ Date of Receipt from Repair _____ 20__	P.I.T.		№ 2
	Name _____		Place of Seal
	Serial Number _____		
	Sale Date _____ 20__		
	(Filled out by a Seller)		
	WARRANTY REPAIR CARD		
	Date of Acceptance for Repair _____ 20__		
	Application for Repair _____		
	Customer _____		
	Phone (Address) _____		
Cause of Application _____			
Date of Receipt from Repair _____ 20__			
The Tool is checked in my presence _____			
(The Order shall be performed in a Service Center) (Signature)			

Name _____ Serial Number _____ Sale Date _____ 20__ Date of Receipt from Repair _____ 20__	P.I.T.		№ 3
	Name _____		Place of Seal
	Serial Number _____		
	Sale Date _____ 20__		
	(Filled out by a Seller)		
	WARRANTY REPAIR CARD		
	Date of Acceptance for Repair _____ 20__		
	Application for Repair _____		
	Customer _____		
	Phone (Address) _____		
Cause of Application _____			
Date of Receipt from Repair _____ 20__			
The Tool is checked in my presence _____			
(The Order shall be performed in a Service Center) (Signature)			

ГАРАНТИЙНЫЙ ТАЛОН P.I.T.

P.I.T.

Талон № 1

Наименование _____
 Серийный номер _____
 Дата продажи « ____ » _____ 20__ Place of Seal
 (Заполняется продавцом)
 КАРТА ГАРАНТИЙНОГО РЕМОНА
 Дата приема ремонт _____ 20__
 Заявка на ремонт _____
 Заказчик _____
 Телефон (адрес) _____
 Причина обращения _____
 Дата получения от ремонта _____ 20__
 Инструмент проверен в моем присутствии _____
 (Заказ заполняется в Сервисном Центре) (Подпись)

Наименование _____
 Серийный номер _____
 Дата продажи _____ 20__
 Дата получения от ремонта _____ 20__

P.I.T.

Талон № 2

Наименование _____
 Серийный номер _____
 Дата продажи « ____ » _____ 20__ Place of Seal
 (Заполняется продавцом)
 КАРТА ГАРАНТИЙНОГО РЕМОНА
 Дата приема ремонт _____ 20__
 Заявка на ремонт _____
 Заказчик _____
 Телефон (адрес) _____
 Причина обращения _____
 Дата получения от ремонта _____ 20__
 Инструмент проверен в моем присутствии _____
 (Заказ заполняется в Сервисном Центре) (Подпись)

Наименование _____
 Серийный номер _____
 Дата продажи _____ 20__
 Дата получения от ремонта _____ 20__

P.I.T.

Талон № 3

Наименование _____
 Серийный номер _____
 Дата продажи « ____ » _____ 20__ Place of Seal
 (Заполняется продавцом)
 КАРТА ГАРАНТИЙНОГО РЕМОНА
 Дата приема ремонт _____ 20__
 Заявка на ремонт _____
 Заказчик _____
 Телефон (адрес) _____
 Причина обращения _____
 Дата получения от ремонта _____ 20__
 Инструмент проверен в моем присутствии _____
 (Заказ заполняется в Сервисном Центре) (Подпись)

Наименование _____
 Серийный номер _____
 Дата продажи _____ 20__
 Дата получения от ремонта _____ 20__



www.pit-tools.com

P.I.T.

Поставщик / производитель: Xinjiang Longbo Industrial Co., Ltd./Синьцзян Лонгбо Индастриал Ко., Лтд.

Адрес производства: Rm. 602, 6th Floor, No. 531, Weixing Road, Economic And Technological Development Zone, Urumqi, Xinjiang, China / Оф.602, 6 этаж, №531, Вейшинг Род, Экономик Энд Технолоджикал Девелопмент Зон, Урумчи, Синьцзян, Китай

Импортер/ организация, уполномоченная принимать претензии: ООО «Турбо-Тулс»

Юридический адрес: 117246, г. Москва, ул. Херсонская, 43 - 670

Вопросы и предложения направляйте по адресу: 614058, г. Пермь, ул. Фоминская, 36
info@pittools.ru

Сделано в КНР / Made in China

ЕАС СЕ