

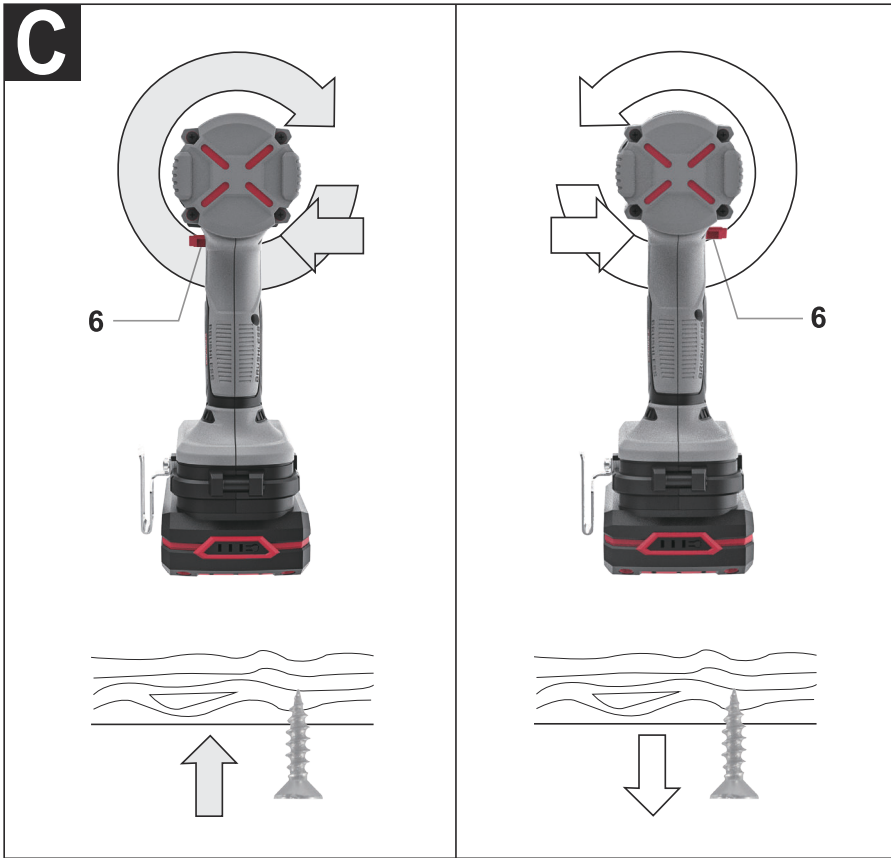
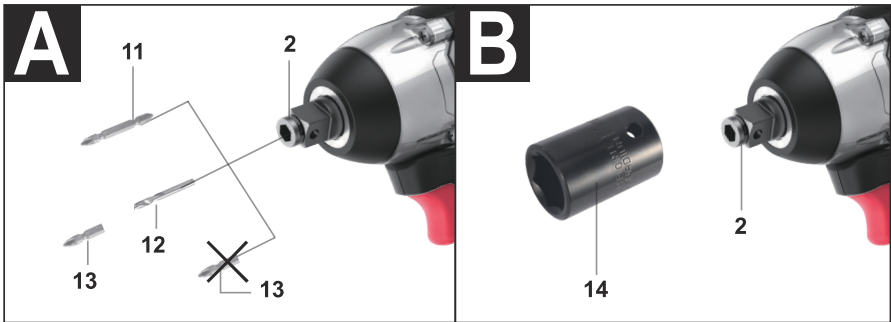
CORDLESS IMPACT WRENCH



Please read the instruction manual carefully before use!
Пожалуйста, внимательно прочтите инструкцию перед использованием!







English

Safety Notes

General Power Tool Safety Warnings



WARNING Read all safety warnings and all instructions.

Failure to follow the warnings and instructions may result in electric shock, fire and/or serious injury.

Save all warnings and instructions for future reference. The term “power tool” in the warnings refers to your mainsoperated (corded) power tool or battery-operated (cordless) power tool.

Work area safety

- ▶ **Keep work area clean and well lit.** Cluttered or dark areas invite accidents.
- ▶ **Do not operate power tools in explosive atmospheres, such as in the presence of flammable liquids, gases or dust.** Power tools create sparks which may ignite the dust or fumes.
- ▶ **Keep children and bystanders away while operating a power tool.** Distractions can cause you to lose control.

Electrical safety

- ▶ **Power tool plugs must match the outlet. Never modify the plug in any way. Do not use any adapter plugs with earthed (grounded) power tools.** Unmodified plugs and matching outlets will reduce risk of electric shock.
- ▶ **Avoid physical contact with earthed or grounded surfaces, such as pipes, cookers and refrigerators.** There is an increased risk of electric shock if your body is earthed or grounded.
- ▶ **Do not expose power tools to rain or wet conditions.** Water entering a power tool will increase the risk of electric shock.
- ▶ **Do not abuse the cord. Never use the cord for carrying, pulling or unplugging the power tool. Keep cord away from heat, oil, sharp edges and moving parts.** Damaged or entangled cords increase the risk of electric shock.
- ▶ **When operating a power tool outdoors, use an extension cord suitable for outdoor use.** Use of a cord suitable for outdoor use reduces the risk of electric shock.
- ▶ **If operating a power tool in a damp location is unavoidable, use a residual current device (RCD) protected supply.** Use of an RCD reduces the risk of electric shock.

Personal safety

- ▶ **Stay alert, watch what you are doing and use common sense when operating a power tool. Do not use a power tool while you are tired or under the influence of drugs, alcohol or medication.** A moment of inattention while operating power tools may result in serious personal injury.
- ▶ **Use personal protective equipment. Always wear eye protection.** Protective equipment such as dust mask, nonskid safety shoes, hard hat, or hearing protection used for appropriate conditions will reduce personal injuries.
- ▶ **Prevent unintentional starting. Ensure the switch is in the off-position before connecting to power source and/or battery pack, picking up or carrying the tool.** Carrying power tools with your finger on the switch or energising power tools that have the switch on invites accidents.
- ▶ **Remove any adjusting key or wrench before turning the power tool on.** A wrench or a key left attached to a rotating part of the power tool may result in personal injury.
- ▶ **Do not overreach. Keep proper footing and balance at all times.** This enables better control of the power tool in unexpected situations.
- ▶ **Dress properly. Do not wear loose clothing or jewellery. Keep your hair, clothing and gloves away from moving parts.** Loose clothes, jewellery or long hair can be caught in moving parts.
- ▶ **If devices are provided for the connection of dust extraction and collection facilities, ensure these are connected and properly used.** Use of dust collection can reduce dust-related hazards.

Power tool use and care

- ▶ **Do not force the power tool. Use the correct power tool for your application.** The correct power tool will do the job better and safer at the rate for which it was designed.
- ▶ **Do not use the power tool if the switch does not turn it on and off.** Any power tool that cannot be controlled with the switch is dangerous and must be repaired.
- ▶ **Disconnect the plug from the power source and/or the battery pack from the power tool before making any adjustments, changing accessories, or stor-**

ing power tools. Such preventive safety measures reduce the risk of starting the power tool accidentally.

- ▶ **Store idle power tools out of the reach of children and do not allow persons unfamiliar with the power tool or these instructions to operate the power tool.** Power tools are dangerous in the hands of untrained users.
- ▶ **The appliance is not intended for use by persons (including children) with reduced physical, sensory or mental capabilities, or lack of experience or knowledge, unless they have been supervised or instructed in the use of the appliance by a person responsible for their safety.**
- ▶ **Maintain power tools.** Check for misalignment or binding of moving parts, breakage of parts and any other condition that may affect the power tool's operation. If damaged, have the power tool repaired before use. Many accidents are caused by poorly maintained power tools.
- ▶ **Keep cutting tools sharp and clean.** Properly maintained cutting tools with sharp cutting edges are less likely to bind and are easier to control.
- ▶ **Use the power tool, accessories and tool bits etc. in accordance with these instructions, taking into account the working conditions and the work to be performed.** Use of the power tool for operations different from those intended could result in a hazardous situation.
- ▶ **A good knowledge of power tools, gained as a result of their frequent use, should not lead to self-confidence and disregard for safe handling of power tools.** One careless action in a fraction of a second can result in serious injury.
- ▶ **Keep handles and gripping surfaces dry and clean and free from oil or grease.** The slippery handles of the gripping surface impede the safe handling of the tool and prevent it from being reliably controlled in unforeseen situations.

Battery tool use and care

- ▶ **Make sure the tool is turned off before inserting the battery.** Inserting a rechargeable battery into a powered tool may result in an accident. Check the battery for tight fit. It has two levels of fixation.
- ▶ **Recharge only with the charger speci-**

fied by the manufacturer. A charger that is suitable for one type of battery pack may create a risk of fire when used with another battery pack.

- ▶ **Use power tools only with specifically designated battery packs.** Use of any other battery packs may create a risk of injury and fire.
- ▶ **Make sure the tool is turned off before inserting the battery.** Inserting a rechargeable battery into a powered tool may result in an accident.
- ▶ **Check the battery for firm seating.** It has two levels of fixation.

Important safety instructions for working with the battery pack.

WARNING: Use only original P.I.T. batteries battery use batteries not manufactured by P.I.T. or batteries that have been modified may lead to battery explosion, fire, injury and damage property. It will also automatically void the warranty. P.I.T. on the P.I.T. tool and charger.

- ▶ **Before using the battery pack. Read all instructions and warning labels on the charger, battery pack, and battery powered tool.**
- ▶ **Do not disassemble the battery pack.**
- ▶ **Do not drop or hit the battery pack.**
- ▶ **Do not use a damaged battery pack**
- ▶ **If the operating time of the battery pack decreased significantly, stop work immediately. Otherwise, the unit may overheat, resulting in burns and even an explosion.**
- ▶ **If electrolyte gets into your eyes wash them with plenty of clean water and seek medical attention immediately.** It may lead to loss of vision.
- ▶ **Do not short the contacts of the battery block to each other:**
 - (1) **Do not touch the contacts with any conductive objects.**
 - (2) **Do not store the battery pack in a container with other metal objects such as nails, coins, etc.**
 - (3) **Do not expose the battery pack to water or rain. Shorting the contacts of the battery pack together can cause high current, overheating, possible burns, and even breakage of the pack.**
- ▶ **Do not store the tool and battery unit in places where the temperature may reach or exceed 50°C (122°F).**
- ▶ **Do not throw the battery pack into fire,**

even if it is severely damaged or completely out of order. The battery pack may explode if exposed to fire.

- ▶ Gas may be released if the battery is damaged or misused. Provide fresh air and if you have any complaints, consult a doctor. Gases can cause respiratory irritation.
- ▶ Clean the battery ventilation slots from time to time with a soft, dry and clean brush.
- ▶ Charge the battery pack at room temperature. Allow a hot battery pack to cool before charging.
- ▶ Charge the lithium-ion battery pack if you will not use the tool for a long time (more than six months).
- ▶ Do not open the battery, otherwise there is a danger of a short circuit.
- ▶ Protect the battery from high temperatures, such as prolonged exposure to the sun, fire, water and moisture. There is a risk of explosion.
- ▶ Store the battery between 0 and 45°C. Do not leave the battery in the car in summer.
- ▶ Included lithium-ion batteries must be operated in accordance with the requirements of the legislation on dangerous goods. For commercial shipments, such as by a third party or freight forwarder, special warnings and labels must be applied to the packaging. Be sure to consult with a Hazardous Materials Specialist when preparing your device for shipping. Also observe local requirements and regulations. They may be stricter. Cover or secure open contacts and pack the battery so that it does not move around in the package.
- ▶ Follow local regulations regarding the disposal of the battery pack.

Safety Warnings for Impact Wrenche

- ▶ Check that your mains voltage matches the rated voltage of the product's charger.
- ▶ Before starting work, inspect and visually check the product for visible mechanical damage.
- ▶ Do not block or block the air intake openings of the product.
- ▶ Provide good lighting for the work area.
- ▶ During operation, the gearbox housing and tool change can become very hot. If you need to remove it, wait until it cools down or use protective gloves.
- ▶ To prevent overheating, take breaks in the operation of the product. Intensive use and increased loads reduce the life of the prod-

uct.

- ▶ During operation, the product may transmit vibration to the operator. Take breaks from work and limit the total time you use the product to avoid personal injury.
- ▶ Use only suitable sockets (suitable for percussive operation).
- ▶ If during work there is a risk of the tool coming into contact with hidden electrical wiring, hold the power tool by the specially designed insulated surfaces. Contact with a live wire will also make metal parts of the tool live, resulting in an electric shock to the operator. Be sure to wear hearing protection.
- ▶ When attaching the snap, pay attention to its correct and safe installation in the chuck. Improper fastening of accessories can lead to loose fasteners and loss of control over the power tool during operation.
- ▶ Before use, carefully inspect the impact head for cracks or damage.
- ▶ When tightening and loosening the screws, hold the electrical machine firmly, as short-term reaction torques may occur.
- ▶ Keep hands clear of rotating parts.
- ▶ Always take a stable position when working. When using the tool at a height, make sure there are no people below.
- ▶ Required tightening torque may vary depending on bolt type and size. Check tightening torque with a torque wrench.



▶ It is forbidden to change the direction of rotation of the spindle of an electric machine during its operation. This may damage the wrench.

- ▶ Clean the power tool with a dry cloth. Do not use any detergent or alcohol.

Product Description and Specifications



Read all safety warnings and all instructions. Failure to follow the warnings and instructions may result in electric shock, fire and/or serious injury.

Intended Use

The tool is designed for tightening and unscrewing bolts, nuts and various threaded fasteners.

Product Features

The numbering of the product features refers to the illustration of the machine on the graphics page.

- (1) Square drive 1/2"
- (2) Internal hexagon 1/4"

- (3) metal brace
- (4) Battery pack
- (5) Battery unlocking button
- (6) Rotational direction switch
- (7) On/Off switch
- (8) Worklight
- (9) Handle (insulated gripping surface)
- (10) Speed/torque preset button
- (11) Screwdriver bit with ball catch
- (12) Universal bit holder
- (13) Screwdriver bit
- (14) Application tool (impact socket)

Technical Data

Model	PIW20H-300B
Voltage	DC 20V
No-load speed	0-1200/1900/2400 r/min
Metric thread	M6-M20
Torque,max.	300N·m (2655 in·lbf)
Impact Rate	3600ipm
Chuck size	1/2"
Weight	2 Kg
Compatible battery (availability varies by package)	PH20-2.0 (2 Ah) PH20-3.0 (3 Ah) PH20-4.0 (4 Ah) PH20-5.0 (5 Ah) PH20-6.0 (6 Ah)
Compatible charger (availability varies by package)	PH20-2.4 A

Contents of delivery

Impact wrench	1 pc
Metal bracket	1 pc
Socket	3 pcs
Instruction manual	1 pc

Model	Recharge-able Battery	Battery Charger
PIW20H-300B	/	/
PIW20H-300B/1	PH20-2.0×1	PH20-2.4A×1
PIW20H-300B/4	PH20-4.0×1	PH20-2.4A×1

Note

Technical errors and typographical errors may be made in the text and numerical designations of the instructions.

Since the product is constantly being improved, P.I.T. reserves the right to make changes to the specifications and product specifications specified here without prior notice.

Assembly

Battery Charging

► **Use only the battery chargers listed on the accessories page.** Only these battery chargers are matched to the lithium ion battery of your power tool.

Note: The battery is supplied partially charged. To ensure full capacity of the battery, completely charge the battery in the battery charger before using your power tool for the first time.

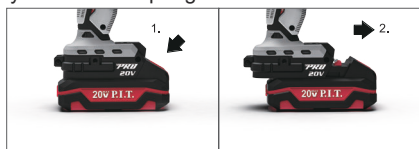
The Lithium-Ion battery can be charged at any time without reducing its service life. Interrupting the charging procedure does not damage the battery.

The Lithium-Ion battery is protected against deep discharging by the "Electronic Cell Protection". When the battery is empty, the machine is switched off by means of a protective circuit: The inserted tool no longer rotates.

► **Do not continue to press the On/Off switch after the machine has been automatically switched off.** The battery can be damaged.

Removing the battery

The battery is equipped with two locking levels that should prevent the battery from falling out when pushing the battery unlocking button unintentionally. As long as the battery is inserted in the power tool, it is held in position by means of a spring.



To remove the battery, press the unlocking button and pull out the battery toward the front. Do not exert any force.

Battery charge indicator

The green LEDs on the battery charge indicator show the charge level of the battery. For safety reasons, the charge indicator is only active when the power tool is at rest.

Press the battery indicator button to display the battery charge status. This is also possible with the battery removed.

If no LED lights up after pressing the battery charge indicator button, the battery is defective and must be replaced.

Operation and meaning of charger indicator elements

1. Connect the charger to the network (without battery) - the green indicator will light up.
2. Insert the battery into the charger socket - the red indicator will light up, the green one

will go out.

3. When the battery is fully charged, the red indicator will turn off, the green indicator will start flashing.

4. Alternate flashing of green and red indicators indicates a malfunction of the charger or battery.

Changing the Tool

► **Before any work on the machine itself (e. g. maintenance, tool change, etc.) as well as during transport and storage, remove the battery from the power tool.**

There is danger of injury when unintentionally actuating the On/Off switch.

► **Regularly clean the power tool's air vents.** The motor's fan will draw the dust inside the housing and excessive accumulation of powdered metal may cause electrical hazards.

Operation

Method of Operation

The tool holder with the tool is driven by electric motor by an electric motor via a gear and impact mechanism.

The working procedure is divided into two phases: **Screwing** in and tightening (impact mechanism in action). The impact mechanism is activated as soon as the screwed connection runs tight and thus load is put on the motor. In this instance, the impact mechanism converts the power of the motor to steady rotary impacts. When loosening screws or nuts, the process is reversed.

Starting Operation

Inserting the battery

► **Use only original P.I.T. lithium ion batteries with the voltage listed on the nameplate of your power tool.** Using other batteries can lead to injuries and pose a fire hazard.

Set the rotational direction switch to the centre position to protect the power tool against accidental starting.

Insert the charged battery from the front into the base of the power tool until the battery is securely locked.

Reversing the rotational direction (see figure C)

Rotation direction switch is used to reverse the rotational direction of the machine. However, this is not possible with the On/Off switch actuated.

Right rotation: For driving in screws and tightening nuts, move the rotational direction switch through to the left stop.

Left Rotation: For loosening and unscrewing screws and nuts, move the rotational direction switch through to the right stop.

Switching On and Off

To **start** the machine, press the On/Off switch and keep it pressed.

The power light lights up when the On/Off switch is slightly or completely pressed, and allows the work area to be illuminated when lighting conditions are insufficient.

To **switch off** the machine, release the On/Off switch .

Adjusting the Speed

The speed of the switched on power tool can be variably adjusted, depending on how far the On/Off switch is pressed. Light pressure on the On/Off switch results in a low rotational speed. Further pressure on the switch results in an increase in speed.

The speed and torque can be adjusted by the speed/torque preselection button.

Working Advice

► **Apply the power tool to the screw only when it is switched off.** Rotating tool inserts can slip off.

The torque depends on the impact duration. The maximum achieved torque results from the sum of all individual torques achieved through impact. The maximum torque is achieved after an impact duration of 6–10 seconds. After this duration, the tightening torque is increased only minimally.

The impact duration is to be determined for each required tightening torque. The actually achieved tightening torque is always to be checked with a torque wrench.

Screw Applications with Hard, Spring-loaded or Soft Seat

When in a test, the achieved torques in an impact series are measured and transferred into a diagram, resulting in the curve of a torque characteristic. The height of the curve corresponds with the maximum reachable torque, and the steepness indicates the duration in which this is achieved.

A torque gradient depends on the following factors:

- Strength properties of the screws/nuts
- Type of backing (washer, disc spring, seal)
- Strength properties of the material being screwed/bolted together
- Lubrication conditions at the screw/bolt connection

The following application cases result accordingly:

- A **hard seat** is given for metal-to-metal screw applications with the use of washers. After a relatively short impact duration, the maximum torque is reached (steep characteristic curve). Unnecessary long impact duration only causes damage to the machine.
- A **spring-loaded seat** is given for metal-to-metal screw applications, however with the use of spring washers, disc springs, studs or screws/nuts with conical seat as well as when using extensions.
- A **soft seat** is given for screw applications, e. g., metal on wood or when using lead washers or fibre washers as backing.

For a spring-loaded seat as well as for a soft seat, the maximum tightening torque is lower than for a hard seat. Also, a clearly longer impact duration is required.

Metal Brace

With the belt clip, the machine can hang onto a belt. The user has both hands free and the machine is always at hand.

Recommendations for Optimal Handling of the Battery

A significantly reduced working period after charging indicates that the battery is used and must be replaced.

Observe the notes for disposal.

Maintenance and Service

Maintenance and Cleaning

► **Before any work on the machine itself (e. g. maintenance, tool change, etc.) as well as during transport and storage, remove the battery from the power tool.**

There is danger of injury when unintentionally actuating the On/Off switch.

► **For safe and proper working, always keep the machine and ventilation slots clean.**

When the battery is no longer operative, please refer to an authorized after-sales service agent for P.I.T. power tools.

Service

► Have your power tool repaired only by qualified personnel using original spare parts. This ensures the safety of the power tool.

A list of authorized service centers can be found on the official website of P.I.T. link: <https://pittools.ru/services/>

Storage and transportation

Store the tool in closed rooms with natural ventilation in the package at air temperature from 10°C to +50°C and air humidity not more than 80%.

Products can be transported by any type of closed transport in the manufacturer's packaging or without it, while preserving the product from mechanical damage, precipitation. Remove the battery and replacement tool from the tool before transporting.

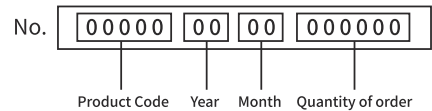
Dispose of waste



Damaged power tools, batteries, accessories and waste packaging materials must be recycled and reused in an environmentally friendly manner.

Do not throw power tools and accumulators / batteries into general household waste!

Product serial number interpretation serial number



The date of manufacture of the product is encoded in the serial number printed on the body of the tool. The first 2 digits indicate the year of issue, the next 2 digits indicate the month.

TERMS OF WARRANTY SERVICE

To customers (users) of warranty service:

1. This warranty certificate is the only document that confirms your right to free warranty service. If this proof is not presented, no claims will be accepted. Warranty certificates cannot be recovered if lost or damaged.
2. It is required to provide a valid and legal document for purchasing the product. The document must have the name or seal of the sales company; at the same time, state the full model name of the purchased P.I.T. product, the serial number on the nameplate of the fuselage, and the date of purchase, and the required warranty. The whole machine and its accessories.

The warranty period:

1. The warranty period of the product is 12 months from the date of sale. During the warranty period, the service department will eliminate manufacturing defects free of charge and replace the parts that fail due to the manufacturer's fault. In warranty repair, an equivalent operable product is not provided. Replaceable parts become the property of the service provider.
2. The wear degree on the diameter of the motor rotor commutator is less than 0.4 mm (except for brushless motor tools), and the

internal damage caused by the quality of the tool belongs to the warranty.

The following situations occur during the warranty period, which is not covered by the warranty:

1. In the absence of any valid legal documents (invoices) such as warranty certificates and warranty cards to prove the date of purchase.
2. Damage caused by natural wear and overload. (For example, motor rotor and stator failure caused by overload, scorching or melting of the primary winding of the welding machine transformer, charging or starting the charging device, melting of internal parts, burning of electronic circuit boards, etc.)
3. The casing and power cord are mechanically damaged, as well as damage caused by corrosive media and high and low temperature, foreign objects entering the ventilation network of the motor, and damage caused by improper storage (corrosion of metal parts);
4. Damage caused by improper carrying, transportation and storage by users.
5. Products that are opened, repaired, replaced or modified by users themselves.
6. Any damage caused by indiscriminate use, beyond the scope of use of the tool, and not in accordance with the instructions for use and maintenance. (see chapter "Safety Precautions" in the manual);
7. The damage caused by the following situations is not guaranteed due to improper use and non-quality problems:
 - (1) When the power tool is running at high speed, use the braking device to forcibly stop the rotation.
 - (2) Excessive pressure is applied to the tool during the use of the tool.
 - (3) Use the tool outside the scope of its purpose and capabilities.
 - (4) Damage caused by the tool working in a dusty environment for a long time without timely maintenance of the tool.
 - (5) Change the rotation direction of the work head before the tool stops completely.
 - (6) Shock the battery or charger and replace the plug of the charger without permission, causing damage to the battery or charger.
 - (7) Damage caused by two-stroke gasoline tools not being fueled in the correct proportions.

The warranty does not include:

1. Replacement of accessories (accessories and components) such as batteries, discs, blades, drills, chucks, chains, sprockets,

collet clamps, guide rails, tension and fastening elements, dresser heads, grinders And belt sander base machine, hexagonal head, etc.;

2. Wearing parts, such as: carbon brushes, transmission belts, seals, protective covers, guide rollers, guide rails, rubber seals, bearings, toothed belts and wheels, shanks, brake belts, starter ratchets and ropes, piston rings Wait.

The above accessories are replaced with paid services during the warranty period;

Русский

Общие указания по технике безопасности для электроинструментов



ПРЕДУПРЕЖДЕНИЕ Прочтите все указания и инструкции по технике.

безопасности. Несоблюдение указаний и инструкций по технике безопасности может стать причиной поражения электрическим током, пожара и тяжелых травм.

Сохраняйте эти инструкции и указания для будущего использования.

Использованное в настоящих инструкциях и указаниях понятие «электроинструмент» распространяется на электроинструмент с питанием от сети (с сетевым шнуром) и на аккумуляторный электроинструмент (без сетевого шнура).

Безопасность рабочего места

- ▶ **Содержите рабочее место в чистоте и хорошо освещенным.** Беспорядок или неосвещенные участки рабочего места могут привести к несчастным случаям.
- ▶ **Не работайте с этим электроинструментом во взрывоопасном помещении, в котором находятся горючие жидкости, воспламеняющиеся газы или пыль.** Электроинструменты искрят, что может привести к воспламенению пыли или паров.
- ▶ **Во время работы с электроинструментом не допускайте близко к Вашему рабочему месту детей и посторонних лиц.** Отвлечшись, Вы можете потерять контроль над электроинструментом.

Электробезопасность

- ▶ **Штепсельная вилка электроинструмента должна подходить к штепсельной розетке.** Ни в коем случае не изменяйте штепсельную вилку. Не применяйте переходные штекеры для электроинструментов с защитным заземлением. Неизмененные штепсельные вилки и подходящие штепсельные розетки снижают риск поражения электротоком.
- ▶ **Предотвращайте телесный контакт с заземленными поверхностями, как то: с трубами, элементами отопления, кухонными плитами и холодильниками.** При заземлении Вашего тела повышается риск поражения электротоком.
- ▶ **Защищайте электроинструмент от дождя и сырости.** Проникновение воды

в электроинструмент повышает риск поражения электротоком.

- ▶ **Не разрешается использовать шнур не по назначению, например, для транспортировки или подвески электроинструмента, или для вытягивания вилки из штепсельной розетки.** Защищайте шнур от воздействия высоких температур, масла, острых кромок или подвижных частей электроинструмента. Поврежденный или спутанный шнур повышает риск поражения электротоком.
- ▶ **При работе с электроинструментом под открытым небом применяйте пригодные для этого кабели удлинители.** Применение пригодного для работы под открытым небом кабеля удлинителя снижает риск поражения электротоком.
- ▶ **Если невозможно избежать применения электроинструмента в сыром помещении, подключайте электроинструмент через устройство защитного отключения.** Применение устройства защитного отключения снижает риск электрического поражения.

Безопасность людей

- ▶ **Будьте внимательными, следите за тем, что Вы делаете, и продуманно начинайте работу с электроинструментом.** Не пользуйтесь электроинструментом в усталом состоянии или если Вы находитесь в состоянии наркотического или алкогольного опьянения или под воздействием лекарств. Один момент невнимательности при работе с электроинструментом может привести к серьезным травмам.
- ▶ **Применяйте средства индивидуальной защиты и всегда защитные очки.** Использование средств индивидуальной защиты, как то: защитной маски, обуви на нескользящей подошве, защитного шлема или средств защиты органов слуха, в зависимости от вида работы с электроинструментом снижает риск получения травм.
- ▶ **Предотвращайте непреднамеренное включение электроинструмента.** Перед подключением электроинструмента к электропитанию и/или к аккумулятору убедитесь в выключенном состоянии электроинструмента. Удержание пальца на выключателе при

транспортировке электроинструмента и подключение к сети питания включенного электроинструмента чревато несчастными случаями.

- ▶ **Убирайте установочный инструмент или гаечные ключи до включения электроинструмента.** Инструмент или ключ, находящийся во вращающейся части электроинструмента, может привести к травмам.
- ▶ **Не принимайте неестественное положение корпуса тела. Всегда занимайте устойчивое положение и сохраняйте равновесие.** Благодаря этому Вы можете лучше контролировать электроинструмент в неожиданных ситуациях.
- ▶ **Носите подходящую рабочую одежду. Не носите широкую одежду и украшения. Держите волосы, одежду и рукавицы вдали от движущихся частей.** Широкая одежда, украшения или длинные волосы могут быть затянуты вращающимися частями.
- ▶ **При наличии возможности установки пылеотсасывающих и пылесборных устройств проверяйте их присоединение и правильное использование.** Применение пылесоса может снизить опасность, создаваемую пылью.
- ▶ **Хорошее знание электроинструментов, полученное в результате частого их использования, не должно приводить к самоуверенности и игнорированию техники безопасности обращения с электроинструментами.** Одно небрежное действие за долю секунды может привести к серьезным травмам.
- ▶ **ВНИМАНИЕ!** В случае возникновения перебоя в работе электроинструмента вследствие полного или частичного прекращения энергоснабжения или повреждения цепи управления энергоснабжением установите выключатель в положение Выкл., убедившись, что он не заблокирован (при его наличии). Отключите сетевую вилку от розетки или отсоедините съёмный аккумулятор. Этим предотвращается неконтролируемый повторный запуск.

Применение электроинструмента и обращение с ним

- ▶ **Не перегружайте электроинструмент. Используйте для Вашей работы предназначенный для этого электро-**

инструмент. С подходящим электроинструментом Вы работаете лучше и надежнее в указанном диапазоне мощности.

- ▶ **Не работайте с электроинструментом при неисправном выключателе.** Электроинструмент, который не поддается включению или выключению, опасен и должен быть отремонтирован.
- ▶ **До начала наладки электроинструмента, перед заменой принадлежностей и прекращением работы отключайте штепсельную вилку от розетки сети и/или выньте аккумулятор.** Эта мера предосторожности предотвращает непреднамеренное включение электроинструмента.
- ▶ **Храните электроинструменты в недоступном для детей месте. Не разрешайте пользоваться электроинструментом лицам, которые не знакомы с ним или не читали настоящих инструкций.** Электроинструменты опасны в руках неопытных лиц.
- ▶ **Прибор не предназначен для использования лицами (включая детей) с пониженными физическими, чувственными или умственными способностями или при отсутствии у них опыта или знаний, если они не находятся под контролем или не проинструктированы об использовании прибора лицом, ответственным за их безопасность.**
- ▶ **Тщательно ухаживайте за электроинструментом. Проверяйте безупречную функцию и ход движущихся частей электроинструмента, отсутствие поломок или повреждений, отрицательно влияющих на функцию электроинструмента. Поврежденные части должны быть отремонтированы до использования электроинструмента.** Плохое обслуживание электроинструментов является причиной большого числа несчастных случаев.
- ▶ **Держите режущий инструмент в заточенном и чистом состоянии.** Заботливо ухоженные режущие инструменты с острыми режущими кромками режут легче и их легче вести.
- ▶ **Применяйте электроинструмент, принадлежности, рабочие инструменты и т. п. в соответствии с настоящими инструкциями. Учитывайте при этом рабочие условия и выполняемую**

работу. Использование электроинструментов для непредусмотренных работ может привести к опасным ситуациям.

- ▶ **Держите ручки и поверхности захвата сухими и чистыми, следите чтобы на них чтобы на них не было жидкой или консистентной смазки.**

Скользкие ручки поверхности захвата препятствуют безопасному обращению с инструментом и не дают надежно контролировать его в непредвиденных ситуациях.

Применение и обслуживание аккумулятора инструмента

- ▶ **Убедитесь, что инструмент выключен, прежде чем вставлять аккумуляторную батарею. Установка аккумуляторной батареи во включенный инструмент может привести к несчастному случаю.**

Проверьте аккумуляторную батарею на прочность посадки. Она имеет две ступени фиксации.

- ▶ **Заряжайте аккумуляторы только в зарядных устройствах, рекомендуемых изготовителем.** Зарядное устройство, предусмотренное для определенного вида аккумуляторов, может привести к пожарной опасности при использовании его с другими аккумуляторами.

- ▶ **Применяйте в электроинструментах только предусмотренные для этого аккумуляторы.** Использование других аккумуляторов может привести к травмам и пожарной опасности.

- ▶ **Убедитесь, что инструмент выключен, прежде чем вставлять аккумуляторную батарею. Установка аккумуляторной батареи во включенный инструмент может привести к несчастному случаю.**

- ▶ **Проверьте аккумуляторную батарею на прочность посадки.** Она имеет две ступени фиксации.

Важные правила техники безопасности для работы с аккумуляторным блоком.

ВНИМАНИЕ: Используйте только фирменные

аккумуляторные батареи P.I.T.

Использование аккумуляторных батарей, не произведенных P.I.T., или батарей, которые были подвергнуты модификациям, может привести к взрыву аккумулятора, пожару, травмам и повреждению имущества. Это также автоматически аннулирует

гарантию P.I.T. на инструмент и зарядное устройство P.I.T.

- ▶ **Перед использованием аккумулятора блока**

прочитайте все инструкции и предупреждающие надписи на зарядном устройстве, аккумуляторном блоке и инструменте, работающем от аккумулятора блока.

- ▶ **Не разбирайте аккумуляторный блок.**
- ▶ **Не роняйте и не ударяйте аккумуляторный блок.**

- ▶ **Не используйте поврежденный аккумуляторный блок**

- ▶ **Если время работы аккумулятора блока значительно сократилось, немедленно прекратите работу. В противном случае, может возникнуть перегрев блока, что приведет к ожогам и даже к взрыву.**

- ▶ **В случае попадания электролита в глаза промойте их обильным количеством чистой воды и немедленно обратитесь к врачу. Это может привести к потере зрения.**

- ▶ **Не замыкайте контакты аккумулятора блока между собой:**

- (1) **Не прикасайтесь к контактам какими-либо токопроводящими предметами.**

- (2) **Не храните аккумуляторный блок в контейнере вместе с другими металлическими предметами, такими как гвозди, монеты и т. п.**

- (3) **Не допускайте попадания на аккумуляторный блок воды или дождя. Замыкание контактов аккумулятора блока между собой может привести к возникновению большого тока, перегреву, возможным ожогам и даже поломке блока.**

- ▶ **Не храните инструмент и аккумуляторный блок в местах, где температура может достигать или превышать 50 °C (122 °F).**

- ▶ **Не бросайте аккумуляторный блок в огонь, даже если он сильно поврежден или полностью вышел из строя. Аккумуляторный блок может взорваться под действием огня.**

- ▶ **При повреждении и ненадлежащем использовании аккумулятора может выделяться газ. Обеспечьте приток свежего воздуха и при возникновении жалоб обратитесь к врачу. Газы могут вызвать раздражение дыхательных путей.**

- ▶ Время от времени прочищайте вентиляционные прорези аккумулятора мягкой, сухой и чистой кисточкой.
- ▶ Заряжайте блок аккумуляторов не допуская его полной разрядки. Обязательно прекратите работу с инструментом и зарядите блок, если вы заметили снижение мощности инструмента.
- ▶ Никогда не подзаряжайте полностью заряженный блок аккумуляторов. Перезарядка сокращает срок службы аккумулятора.
- ▶ Заряжайте блок аккумуляторов при комнатной температуре. Перед зарядкой горячего блока аккумуляторов дайте ему остыть.
- ▶ Зарядите литий-ионный аккумуляторный блок, если вы не будете пользоваться инструментом длительное время (более шести месяцев).
- ▶ Не вскрывайте аккумулятор. При этом возникает опасность короткого замыкания.
- ▶ Защищайте аккумуляторную батарею от высоких температур, например, от длительного нагревания на солнце, от огня, воды и влаги. Существует опасность взрыва.
- ▶ Храните аккумулятор в диапазоне температур от 0 до 45°С. Не оставляйте аккумулятор летом в автомобиле.
- ▶ **Входящие в комплект литий-ионные аккумуляторы должны эксплуатироваться в соответствии с требованиями законодательства об опасных товарах.**
При коммерческой транспортировке, например, третьей стороной или экспедитором, необходимо нанести на упаковку специальные предупреждения и маркировку. В процессе подготовки устройства к отпуску обязательно проконсультируйтесь со специалистом по опасным материалам. Также соблюдайте местные требования и нормы. Они могут быть строже.
Закройте или закрепите разомкнутые контакты и упакуйте аккумулятор так, чтобы он не перемещался по упаковке.
- ▶ **Выполняйте требования местного законодательства относительно утилизации аккумуляторного блока.**

Указания по технике безопасности для шуруповертов

- ▶ Убедитесь, что напряжение Вашей сети

- соответствует номинальному напряжению зарядного устройства изделия.
- ▶ Перед началом работы осмотрите и визуально проверьте изделие на видимые механические повреждения.
- ▶ Не закрывайте воздухозаборные отверстия изделия и не допускайте их засорения.
- ▶ Обеспечьте хорошее освещение рабочего места.
- ▶ В процессе работы возможен сильный нагрев корпуса редуктора и сменного инструмента. При необходимости извлечения, дождитесь его остывания или используйте защитные перчатки.
- ▶ Для исключения перегрева делайте перерывы в работе изделия. Интенсивная эксплуатация и повышенные нагрузки снижают срок службы изделия.
- ▶ При работе изделие может передавать на оператора вибрацию. Во избежание ущерба здоровью делайте перерывы в работе и ограничивайте общее время работы с изделием.
- ▶ Используйте только соответствующие головки (подходящие для ударного режима работы).
- ▶ Если при выполнении работ существует риск контакта инструмента со скрытой электропроводкой, держите электроинструмент за специально предназначенные изолированные поверхности. Контакт с проводом под напряжением приведет к тому, что металлические детали инструмента также будут под напряжением, что приведет к поражению оператора электрическим током.
- ▶ Обязательно используйте средства защиты слуха.
- ▶ Закрепляя оснастку, обращайтесь внимание на ее правильную и безопасную установку в патроне. Неправильное крепление оснастки может привести к ослаблению крепежа и потери контроля над электроинструментом во время работы.
- ▶ Перед эксплуатацией тщательно осмотрите ударную головку и убедитесь в отсутствии трещин или повреждений.
- ▶ Во время затяжки и ослабления винтов крепко держите электрическую машину, поскольку могут возникнуть кратковременные реактивные моменты.
- ▶ Руки должны находиться на расстоянии от вращающихся деталей.
- ▶ При выполнении работ всегда занимайте устойчивое положение. При исполь-

зовании инструмента на высоте убедитесь в отсутствии людей внизу.

- ▶ Требуемое усилие затяжки может отличаться и зависит от типа и размера болта. Проверьте усилие затяжки при помощи динамометрического ключа.



Запрещается изменять направление вращения шпинделя электрической машины во время ее работы. Это может привести к повреждению гайковерта.

- ▶ Чистите электроинструмент, сухой тряпкой. Запрещается использовать какие-либо моющие средства или спирт.

Описание продукта и услуг



Прочтите все указания и инструкции по технике безопасности.

Несоблюдение указаний по технике безопасности и инструкций может привести к поражению электрическим током, пожару и/или тяжелым травмам.

Пожалуйста, соблюдайте иллюстрации в начале руководства по эксплуатации.

Применение по назначению

Инструмент предназначен для закручивания и откручивания болтов, гаек и различных резьбовых крепежных элементов.

Изображенные составные части

Нумерация представленных компонентов выполнена по изображению на странице с иллюстрациями.

- (1) Квадратный хвостовик 1/2"
- (2) Внутренний шестигранник 1/4"
- (3) Металлическая скоба
- (4) Аккумулятор
- (5) Кнопка разблокировки аккумулятора
- (6) Переключатель направления вращения
- (7) Выключатель
- (8) Светодиод «PowerLight»
- (9) Рукоятка (с изолированной поверхностью)
- (10) Кнопка предустановки скорости / крутящего момента
- (11) Бита-насадка с шариковым фиксатором
- (12) Универсальный держатель бит-насадок
- (13) Бита-насадка
- (14) Рабочий инструмент (например, головка)

Технические характеристики

Модель	PIW20H-300B
Напряжение	DC 20 В
Число оборотов холостого хода	0-1200 / 1900 / 2400 об / мин
винтов с метрической резьбой	M6-M20
Макс.крутящий момент	300Н·м (2655 in-lbf)
Частота ударов	3600 уд/мин
Размер патрона	1/2"
Вес	2 кг
Совместимая аккумуляторная батарея (наличие зависит от комплекта поставки)	PH20-2.0 (2Ач) PH20-3.0 (3Ач) PH20-4.0 (4Ач) PH20-5.0 (5Ач) PH20-6.0 (6Ач)
Совместимое зарядное устройство (наличие зависит от комплекта поставки)	PH20-2.4А

Комплект поставки

Гайковерт	1 шт
Скоба металлическая	1 шт
Торцевые головки	3 шт
Руководство по эксплуатации	1 шт

Модель	Аккумулятор	Зарядное Устройство
PIW20H-300B	/	/
PIW20H-300B/1	PH20-2.0×1	PH20-2.4А×1
PIW20H-300B/4	PH20-4.0×1	PH20-2.4А×1

Примечание

В тексте и цифровых обозначениях инструкции могут быть допущены технические ошибки и опечатки.

Так как изделие постоянно совершенствуется, P.I.T. оставляет за собой право на внесение изменений в указанные здесь технические характеристики и комплектацию изделия без предварительного уведомления.

Сборка

- ▶ **До начала работ по техобслуживанию, смене инструмента и т. д., а также при транспортировке и хранении извлекайте аккумулятор из электроинструмента.** При непреднамеренном включении возникает опасность травмирования.

Зарядка аккумулятора

► **Пользуйтесь только зарядными устройствами, указанными в технических параметрах.** Только эти зарядные устройства пригодны для литиево-ионного аккумулятора Вашего электроинструмента.

Указание: Аккумуляторная батарея поставляется в частично заряженном состоянии. Для обеспечения полной мощности аккумулятора зарядите его полностью перед первым применением.

Литий-ионный аккумулятор может быть заряжен в любое время без сокращения срока службы. Прекращение процесса зарядки не наносит вреда аккумулятору.

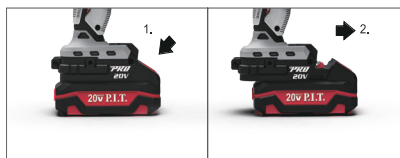
Литиево-ионная аккумуляторная батарея защищена от глубокой разрядки системой „Electronic Cell Protection (ECP)“. Защитная схема выключает электроинструмент при разряженном аккумуляторе – рабочий инструмент останавливается.

► **После автоматического выключения электроинструмента не нажимайте больше на выключатель.** Аккумулятор может быть поврежден.

Учитывайте указания по утилизации.

Извлечение аккумулятора

Аккумулятор оснащен двумя ступенями фиксирования, призванными предотвращать выпадение аккумулятора при непреднамеренном нажатии на кнопку разблокировки. Пока аккумулятор находится в электроинструменте, пружина держит его в соответствующем положении.



Чтобы извлечь аккумуляторную батарею, нажмите на кнопку разблокировки и извлеките аккумулятор из электроинструмента. **Не применяйте при этом силы.**

Индикатор заряженности аккумуляторной батареи

Зеленые светодиоды на индикаторе заряженности аккумулятора показывают уровень его заряда. По причинам безопасности индикатор заряженности активен только в состоянии покоя электроинструмента.

Нажмите кнопку индикатора заряженности

аккумулятора чтобы отобразить степень заряженности аккумуляторной батареи. Это возможно также и при извлеченной аккумуляторной батарее.

Если после нажатия на кнопку индикатора заряженности аккумуляторной батареи не загорается ни один светодиодный индикатор, аккумулятор неисправен и должен быть заменен.

Работа и значение элементов индикатора зарядного устройства

1. Подключите зарядное устройство к сети (без АКБ) - загорится зеленый индикатор.
2. Вставьте аккумуляторную батарею в гнездо зарядного устройства - загорится красный индикатор, зеленый погаснет.
3. При полной зарядке аккумуляторной батареи - красный индикатор погаснет, начнет мигать зеленый индикатор.
4. Поочередное мигание зеленого и красного индикаторов свидетельствует о неисправности зарядного устройства или аккумуляторной батареи.

Замена рабочего инструмента (см. рис. А и В)

► **До начала работ по техобслуживанию, смене оснастки и т. д., а также при транспортировке и хранении извлекайте аккумулятор из электроинструмента.** При непреднамеренном включении возникает опасность травмирования.

► **Регулярно очищайте вентиляционные прорези электроинструмента.** Вентилятор двигателя затягивает пыль в корпус, и большое скопление металлической пыли может привести к опасности поражения электрическим током.

► **При установке сменного рабочего инструмента следите за тем, чтобы он хорошо сел на патрон.** Если сменный рабочий инструмент не будет хорошо сидеть на патроне, он может соскочить во время операции закручивания.

Работа с инструментом

Принцип действия

Патрон с рабочим инструментом приводится в движение электродвигателем с помощью редуктора с ударным механизмом.

Рабочий процесс подразделяется на две фазы: **заворачивание и затягивание** (работает ударный механизм).

Ударный механизм включается, как только винт начинает заедать и нагрузка на мотор увеличивается. Таким образом ударный

механизм преобразует силу мотора в равномерные вращательные удары. При выворачивании винтов/шурупов или отвинчивании гаек этот процесс протекает в обратной последовательности.

Включение электроинструмента **Установка аккумулятора**

Установите переключатель направления вращения в среднее положение для защиты электроинструмента от непреднамеренного включения.

Вставьте заряженный аккумулятор спереди в ножку электроинструмента, чтобы аккумулятор надежно зафиксировался.

Настройка направления вращения (см. рис. С)

Переключателем направления вращения можно изменять направление вращения электроинструмента. При нажатом выключателе это, однако, невозможно.

Правое вращение: Для закручивания винтов и затягивания гаек передвиньте переключатель направления вращения влево до упора.

Левое направление вращения: Для ослабления и выворачивания винтов/шурупов и отвинчивания гаек передвиньте переключатель направления вращения вправо до упора.

Включение/выключение

Для **включения** электроинструмента нажмите на выключатель и удерживайте его нажатым.

Подсветка загорается при легком или полном нажатии на выключатель и позволяет освещать рабочую зону при недостаточном общем освещении.

Для **выключения** электроинструмента отпустите выключатель.

Установка числа оборотов

Число оборотов включенного электроинструмента можно плавно регулировать, изменяя для этого усилие нажатия на выключатель.

При слабом нажатии на выключатель электроинструмент работает с низким числом оборотов. С увеличением силы нажатия число оборотов увеличивается.

Скорость и крутящий момент можно отрегулировать с помощью кнопки предварительного выбора скорости / крутящего момента.

Указания по применению

► **Устанавливайте электроинструмент на винт или гайку только в выключенном состоянии. Вращающиеся ра-**

бочие инструменты могут соскользнуть.

Крутящий момент зависит от продолжительности работы ударного механизма. Максимально достигаемый крутящий момент вытекает из суммы всех отдельных крутящих моментов, создаваемых ударами. Максимально крутящий момент достигается через 6–10 секунд работы ударного механизма. После этого времени момент затяжки возрастает только незначительно.

Продолжительность работы ударного механизма следует определять для каждого момента затяжки. Практически достигнутый момент затяжки проверяйте всегда динамометрическим ключом.

Закручивание винтов в жесткие, пружинящие или мягкие материалы

Если достигнутые опытным путем в течение серии ударов крутящие моменты замерить и по ним составить диаграмму, то получится кривая крутящего момента. Высота кривой соответствует максимально достигнутому крутящему моменту, крутизна показывает, за какое время он был достигнут.

Характеристика крутящего момента зависит от следующих факторов:

- прочность винтов/шурупов/гаек
 - вид опоры (шайба, тарельчатая пружина, уплотнение)
 - прочность скрепляемых материалов
 - условия смазки резьбового соединения
- Соответственно вытекают следующие варианты применения:

– **Работа с жесткими материалами** – скрепление металлических деталей с применением подкладочных шайб. Максимальный крутящий момент достигается после относительно короткой продолжительности работы ударного механизма (крутая характеристика). Необоснованно большая продолжительность работы ударного механизма вредит электроинструменту.

– **Работа с пружинящими материалами** – скрепление металлических частей с применением пружинящих колец, тарельчатых пружин, анкеров или винтов/гаек с конической посадкой и применением удлинителей.

– **Работа с мягкими материалами** – прикрепление, напр., металлических частей к древесине или применение свинцовых или фибровых подкладных шайб.

При работе с пружинящими или мягкими

материалами максимальный момент затяжки меньше, чем при работе с жесткими материалами. Также требуется значительно большая продолжительность работы ударного механизма.

Металлическая скоба

С помощью зажима для пояса можно повесить электроинструмент, например, на пояс. При этом освобождаются обе руки и электроинструмент в любое время под рукой.

Указания по оптимальному обращению с аккумулятором

Время от времени прочищайте вентиляционные прорези аккумулятора мягкой, сухой и чистой кисточкой.

Значительное сокращение продолжительности работы после заряда свидетельствует о старении аккумулятора и указывает на необходимость его замены.

Учитывайте указания по утилизации.

Техобслуживание и сервис

Техобслуживание и очистка

- ▶ До начала работ по техобслуживанию, смене инструмента и т. д., а также при транспортировке и хранении извлекайте аккумулятор из электроинструмента. При непреднамеренном включении возникает опасность травмирования.
- ▶ Для обеспечения качественной и безопасной работы содержите электроинструмент и вентиляционные прорези в чистоте.

Сервис

- ▶ Ремонт вашего электроинструмента поручайте только квалифицированному персоналу и только с применением оригинальных запасных частей. Этим обеспечивается безопасность электроинструмента.

Список авторизованных сервисных центров можно посмотреть на официальном сайте P.I.T. по ссылке: <https://pittools.ru/services/>

Хранение и транспортировка

Храните инструмент в закрытых помещениях с естественной вентиляцией в упаковке при температуре воздуха от 10°C до +50°C и влажности воздуха не более 80%.

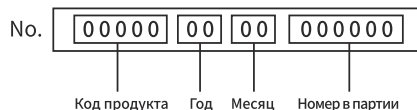
Транспортировать продукцию можно любым видом закрытого транспорта в упаковке производителя или без нее, с сохранением изделия от механических повреждений, атмосферных осадков. Перед транспортировкой извлеките аккумулятор и сменный инструмент из инструмента.

Утилизация



Отслужившие свой срок электроинструменты, принадлежности и упаковку следует сдавать на экологически чистую переработку отходов. Утилизируйте электроинструмент отдельно от бытового мусора!

Расшифровка Даты Изготовления Изделия



Дата изготовления изделия зашифрована в серийном номере, напечатанном на корпусе инструмента. Первые 2 цифры обозначают год выпуска, следующие 2 цифры – месяц.

УСЛОВИЯ ГАРАНТИЙНОГО ОБСЛУЖИВАНИЯ

1. Настоящее гарантийное свидетельство является единственным документом, подтверждающим ваше право на бесплатное гарантийное обслуживание. Без предъявления данного свидетельства претензии не принимаются. В случае утери или порчи гарантийное свидетельство не восстанавливается.

2. Гарантийный срок указан в гарантийном сертификате. В течение гарантийного срока сервисная служба бесплатно устраняет производственные дефекты и производит замену деталей, вышедших из строя по вине изготовителя. На период гарантийного ремонта эквивалентный исправный инструмент не предоставляется. Заменяемые детали переходят в собственность служб сервиса.

Компания P.I.T. не несет ответственности за вред, который может быть причинен при работе с электроинструментом.

3. В гарантийный ремонт инструмент принимается в чистом виде, при обязательном наличии надлежащим образом оформленных документов: настоящего гарантийного свидетельства, гарантийного талона, с полностью заполненными полями, штампом торговой организации и подписью покупателя.

4. Гарантийный ремонт не производится в следующих случаях:

- при отсутствии гарантийного свидетельства и гарантийного талона или неправильном их оформлении;

- степень износа диаметра коллектора ротора двигателя превышает 0,4 мм (за исключением инструментов с бесщеточным двигателем);
- при совместном выходе из строя якоря и статора электродвигателя, при обугливании или оплавлении первичной обмотки трансформатора сварочного аппарата, зарядного или пуско-зарядного устройства, при оплавлении внутренних деталей, прожиге электронных плат и других случаях;
- если гарантийное свидетельство или талон не принадлежат данному электроинструменту или не соответствует установленному поставщиком образцу;
- по истечении срока гарантии;
- при попытках самостоятельного вскрытия или ремонта электроинструмента вне гарантийной мастерской;
- внесения конструктивных изменений и смазки инструмента в гарантийный период, о чем свидетельствуют, например, заломы на шлицевых частях крепежа корпусных деталей;
- при использовании электроинструмента в производственных или иных целях, связанных с получением прибыли, а также при возникновении неисправностей связанных с нестабильностью параметров электросети, превышающих нормы, установленные ГОСТ;
- при неправильной эксплуатации, использованию электроинструмента не по назначению, указанному в инструкции по эксплуатации, установки на электроинструмент не предназначенных заводом-изготовителем насадок, дополнительных приспособлений и т.п.;
- при механических повреждениях корпуса, сетевого шнура и при повреждениях, вызванных воздействиями агрессивных сред и высоких и низких температур, попадании инородных предметов в вентиляционные решетки электроинструмента, а также при повреждениях, наступивших в результате неправильного хранения (коррозия металлических частей);
- при естественном износе деталей электроинструмента, в результате длительной эксплуатации (определяется по признакам полной или частичной выработки ресурса, сильного загрязнения, ржавчины снаружи и внутри электроинструмента, отработанной смазки в редукторе);
- при возникновении повреждений в связи с несоблюдением предусмотренных ин-

струкцией условий эксплуатации (см. главу «Указание по технике безопасности» в инструкции).

- при повреждении изделия вследствие несоблюдения правил хранения и транспортировки;
- при сильном внутреннем загрязнении инструмента;
- при работе с перегрузкой бензоинструмента, изменении цвета чашки и муфты сцепления в результате перегрева;
- при обрыве шнура стартера при условии исправности остальных деталей пускового устройства;
- на все виды работ, выполняемые при периодическом техническом обслуживании (регулировки, чистке, замене расходных материалов и др.);
- на неисправности, возникшие в результате нарушения требований и правил эксплуатации, установленным паспортом изделия. Например, перегрев изделия, несоблюдение требований к составу и качеству топливной смеси, повлекших выход из строя поршневой группы (безусловным признаком этого является залегание поршневого кольца и/или наличие царапин и потертостей на внутренней поверхности цилиндра и поверхности поршня, разрушение или оплавление опорных подшипников шатуна и поршневого пальца);
- на внешние и внутренние загрязнения, царапины, трещины, повреждения, возникшие в процессе эксплуатации или транспортировки.
- при работе электроинструментом с перегрузкой и заклиниванием оснастки, о чем свидетельствуют задиры, изменение цвета от температуры упорных и прижимных шайб, зажимного патрона, выхода из строя редуктора.

Профилактическое обслуживание электроинструмента (чистка, промывка, смазка, замена пыльников, поршневых и уплотнительных колец) в гарантийный период является платной услугой.

Срок службы изделия составляет 3 года.
Срок хранения – 2 года. Не рекомендуется к эксплуатации по истечении 2 лет хранения с даты изготовления, которая указана в серийном номере на этикетке инструмента, без предварительной проверки (определенные даты выпуска смотрите ранее в Руководстве пользователя).

О возможных нарушениях, изложенных выше условий гарантийного обслуживания,

владельцу сообщается после проведения диагностики в сервисном центре. Владелец инструмента доверяет проведение диагностики в сервисном центре в свое отсутствие.

Запрещается эксплуатация электроинструмента при проявлении признаков повышенного нагрева, искрения, а также шума в редукторной части. Для выяснения причин неисправности покупателю следует обратиться в гарантийную мастерскую.

Неисправности, вызванные несвоевременной заменой угольных щеток двигателя, устраняются за счет покупателя.

5.Гарантия не распространяется на:

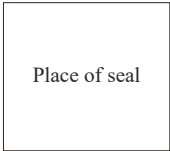
- сменные принадлежности (аксессуары и оснастка), например: аккумуляторы, диски, ножи, сверла, буры, патроны, цепи, звездочки, цанговые зажимы, шины, элементы натяжения и крепления, головки триммеров, подошвы шлифовальных и ленточных машин, фильтры, головки шестигранные сменные насадки и т.п.

- быстроизнашивающиеся детали, например: угольные щетки, приводные ремни, сальники, защитные кожухи, направляющие ролики, направляющие, резиновые уплотнения, подшипники, зубчатые ремни и колеса, стволы, ленты тормоза, храповики и тросы стартеров, поршневые кольца и т.п.

Замена их в течение гарантийного срока является платной услугой.

- шнуры питания, в случае повреждения изоляции. В данном случае потребитель должен быть уведомлен и ремонт (услуга платная) должен быть выполнен после согласия потребителя. Если потребитель не согласен на замену, то в любом ремонте этого инструмента будет отказано. Факт отказа должен быть зафиксирован в гарантийном талоне или квитанции сервисного центра и подписан владельцем.

P.I.T. WARRANTY CERTIFICATE



Product Name _____

Product Serial Number

Charger Serial Number

Sale Date _____

Trade Organization Name _____

Dear customer!

Thank you for purchasing the P.I.T. tool, and we hope that you will be satisfied with your choice. In the process of manufacturing the P.I.T. tools pass multilevel quality control, if nevertheless your product will need maintenance, please contact the authorized P.I.T. service centers.

Attention!

When buying, ask a seller to check the completeness and operability of the tool, to fill out the Warranty Certificate, the Warranty Card (the boxes shall be filled out by a seller) and to affix the seal of the trade organization in the Guarantee Certificate and the Warranty Card.

Warranty

By this Warranty Certificate, P.I.T. company guarantees the absence of defects of the production nature.

In the event any of the above defects are detected during the warranty period, the specialized P.I.T. service centers shall repair the product and replace the defective spare parts free of charge.

The warranty period for P.I.T. electric machines is 12 months from the date of sale.

“The warranty maintenance terms acknowledged and accepted. The operability and completeness of the product are checked in my presence. No claims on quality and appearance.”

Buyer’s Signature _____ Surname (legibly) _____

Phone _____

ГАРАНТИЙНОЕ СВИДЕТЕЛЬСТВО НА ИНСТРУМЕНТ P.I.T.

Наименование изделия _____

Серийный номер изделия □□□□□□□□□□

Серийный номер зарядного устройства □□□□□□□□□□

Дата продажи « ____ » _____

Наименование торговой организации _____

Уважаемый покупатель!

М.П.

Благодарим Вас за покупку инструмента P.I.T. и надеемся, что Вы останетесь довольны своим выбором.

При необходимости обслуживания Вашего изделия обращайтесь в авторизованные сервисные центры P.I.T. Все сервисные центры представлены на сайте www.pittools.ru

Внимание!

При покупке требуйте у продавца проверки работоспособности инструмента и его комплектности, а также заполнения гарантийного свидетельства, гарантийного талона (графы «Заполняются продавцом») и простановки печати торговой организации в гарантийном свидетельстве и гарантийных талонах.

Гарантия

На основании данного гарантийного свидетельства компания P.I.T. гарантирует отсутствие дефектов производственного характера.

Если в течение гарантийного срока в Вашем изделии обнаружатся указанные дефекты, то специализированные сервисные центры P.I.T. бесплатно отремонтируют изделие и заменят дефектные запасные части.

Гарантийный срок на электроинструменты P.I.T. составляет 12 месяцев со дня продажи.

«С условиями гарантийного обслуживания ознакомлен(а). Работоспособность и комплектность изделия проверены в моем присутствии. Претензий к качеству и внешнему виду не имею».

Подпись покупателя _____ Фамилия (разборчи-
во) _____

Телефон _____

P.I.T. WARRANTY CARD

Name _____ Serial Number _____ Sale Date _____ 20__ Date of Receipt from Repair _____ 20__	P.I.T.		№ 1
	Name _____		
	Serial Number _____		
	Sale Date _____ 20__		Place of Seal
	(Filled out by a Seller)		
	WARRANTY REPAIR CARD		
	Date of Acceptance for Repair _____ 20__		
	Application for Repair _____		
	Customer _____		
	Phone (Address) _____		
Cause of Application _____			
Date of Receipt from Repair _____ 20__			
The Tool is checked in my presence _____			
(The Order shall be performed in a Service Center) (Signature)			

Name _____ Serial Number _____ Sale Date _____ 20__ Date of Receipt from Repair _____ 20__	P.I.T.		№ 2
	Name _____		
	Serial Number _____		
	Sale Date _____ 20__		Place of Seal
	(Filled out by a Seller)		
	WARRANTY REPAIR CARD		
	Date of Acceptance for Repair _____ 20__		
	Application for Repair _____		
	Customer _____		
	Phone (Address) _____		
Cause of Application _____			
Date of Receipt from Repair _____ 20__			
The Tool is checked in my presence _____			
(The Order shall be performed in a Service Center) (Signature)			

Name _____ Serial Number _____ Sale Date _____ 20__ Date of Receipt from Repair _____ 20__	P.I.T.		№ 3
	Name _____		
	Serial Number _____		
	Sale Date _____ 20__		Place of Seal
	(Filled out by a Seller)		
	WARRANTY REPAIR CARD		
	Date of Acceptance for Repair _____ 20__		
	Application for Repair _____		
	Customer _____		
	Phone (Address) _____		
Cause of Application _____			
Date of Receipt from Repair _____ 20__			
The Tool is checked in my presence _____			
(The Order shall be performed in a Service Center) (Signature)			

ГАРАНТИЙНЫЙ ТАЛОН P.I.T.

P.I.T.

Талон № 1

Наименование _____

Серийный номер _____

Дата продажи « ____ » _____ 20__

(Заполняется продавцом)

КАРТА ГАРАНТИЙНОГО РЕМОНА

Дата приема ремонт _____ 20__

Заявка на ремонт _____

Заказчик _____

Телефон (адрес) _____

Причина обращения _____

Дата получения от ремонта _____ 20__

Инструмент проверен в моем присутствии _____

(Заказ заполняется в Сервисном Центре) (Подпись)

Место печати
или штампа

Наименование _____
 Серийный номер _____
 Дата продажи _____ 20__
 Дата получения от ремонта _____ 20__

P.I.T.

Талон № 2

Наименование _____

Серийный номер _____

Дата продажи « ____ » _____ 20__

(Заполняется продавцом)

КАРТА ГАРАНТИЙНОГО РЕМОНА

Дата приема ремонт _____ 20__

Заявка на ремонт _____

Заказчик _____

Телефон (адрес) _____

Причина обращения _____

Дата получения от ремонта _____ 20__

Инструмент проверен в моем присутствии _____

(Заказ заполняется в Сервисном Центре) (Подпись)

Место печати
или штампа

Наименование _____
 Серийный номер _____
 Дата продажи _____ 20__
 Дата получения от ремонта _____ 20__

P.I.T.

Талон № 3

Наименование _____

Серийный номер _____

Дата продажи « ____ » _____ 20__

(Заполняется продавцом)

КАРТА ГАРАНТИЙНОГО РЕМОНА

Дата приема ремонт _____ 20__

Заявка на ремонт _____

Заказчик _____

Телефон (адрес) _____

Причина обращения _____

Дата получения от ремонта _____ 20__

Инструмент проверен в моем присутствии _____

(Заказ заполняется в Сервисном Центре) (Подпись)

Место печати
или штампа

Наименование _____
 Серийный номер _____
 Дата продажи _____ 20__
 Дата получения от ремонта _____ 20__



Media account

 [pit_global](#)  [PIT Global](#)  [YouTube](#) [PIT Global](#)

 bod@pit-tools.com  www.pit-tools.com