



P.I.T.[®]

Progressive Innovative Technology

EN PRODUCT PASSPORT
USER'S MANUAL

RU ПАСПОРТ ИЗДЕЛИЯ
ИНСТРУКЦИЯ ПОЛЬЗОВАТЕЛЯ

INVERTER WELDING MACHINE **ИНВЕРТОРНЫЙ СВАРОЧНЫЙ АППАРАТ**



EAC

PMI180-D
PMI220-D
PMI250-D
PMI300-D

PROGRESSIVE INNOVATIONAL TECHNOLOGY
ПРОГРЕССИВНЫЕ ИННОВАЦИОННЫЕ ТЕХНОЛОГИИ



The trademark P.I.T. [®] was founded in 1996 by a group of companies engaged in the production, supply and distribution of the hand power tools.

Constantly carrying out market researches, studying demand and needs of the end user, the most optimum and universal line of the electric tool and the auxiliary equipment is created.

This approach allowed attracting both nonprofessional and professional users.

Keeping up with the times, the company uses high-quality combined materials and modern technologies in the manufacturing of its products. The use of highly durable light-alloy metals reduces weight and increases tool life, multi-layer polymer plastic provides additional protection against shocks, falls and other physical impacts on the product. The ergonomics of the tool provides a more comfortable working environment, silicone inserts in the grip areas help to reduce vibration. Compliance with international standards for quality control and safety allows the sale and use of PIT products [®] almost anywhere in the world. All these factors allow the production of P.I.T. [®] increasing popularity among users. P.I.T. [®] company thanks you for choosing our products!

www.pit-tools.com

PRECAUTIONS FOR OPERATING WITH INVERTER WELDING MACHINES

1. Users of the inverter welding machine must have the appropriate qualifications.
2. Make sure that the parameters in the mains correspond to those indicated on the rating plate on the inverter welding machine and in these manuals.
3. Do not immerse the tool or its individual parts in water or other liquids. Do not allow moisture inside the tool.
4. Never pull the power cable to disconnect the inverter welding machine from the mains, grasp the plug and carefully pull it out of the power socket.
5. Do not allow children to use the machine or play with it.
6. Always disconnect the inverter welding machine from the mains when you are not using it.
7. Do not leave the inverter welding machine ignored.
8. Disconnect the inverter welding machine from the mains:
 - In case of any malfunction;
 - Before changing electrodes or cleaning;
 - After the end of operation.
9. Keep the inverter welding machine out of the reach of children.
10. Do not use the inverter welding machine for any other purpose than those specified in these manuals.
11. Avoid getting the power cable on the surface to be machined by the inverter welding machine.
12. Keep the power cord away from heat, oil and sharp objects.
13. Do not carry the inverter welding machine by holding it by the power cord.
14. Connect the inverter welding machine to the mains only after you make sure that the on/off control is in the off position.
15. When working with the inverter welding machine, use personal protective equipment.
16. Do not use cleaning agents that can cause rust, as well as gasoline and other aggressive agents in the care of the inverter welding machine.

PRECAUTIONS FOR OPERATING WITH INVERTER WELDING MACHINES

17. Nothing but the surface to be treated shall touch the electrode during operation.
18. Do not expose the inverter welding machine to heavy loads. Use the inverter welding machine to perform the work for which it is intended.
19. Do not allow the presence of unauthorized persons in the work area.
20. Do not use the inverter welding machine without a protective cover.
21. Never work with loose workpiece and unstable or unsteady surface.
22. Always secure the electrode.
23. The electrode must be connected to the workpiece only when the inverter welding machine is powered on.
24. Make sure that nothing gets into the moving parts of the inverter welding machine.
25. Do not use the inverter welding machine if there is a risk of fire or explosion, for example, near flammable liquids or gases.
26. Do not touch grounded objects while operating the inverter welding machine.
27. Use clamps, cramps, jaws or other method of securing the workpiece.
28. Do not start welding until you are sure that you are insulated from the ground and from the workpiece.
29. Work in a mask that completely covers your face – radiation is dangerous to your vision and can cause skin burns with prolonged direct exposure to rays.
30. Do not breathe the gases produced by welding – they are harmful to health.
31. When servicing the inverter welding machine, use only recommended replacement consumables, nozzles and accessories.
32. Do not use the inverter welding machine if the on/off control is not operating.
33. Only connect the inverter welding machine to a grounded power source.
34. Make sure the electrode is installed correctly before operating.

**IT IS FORBIDDEN TO OPERATE THE TOOL IN THE
CONDITION OF ALCOHOL OR DRUG ADDICTION**

1. Power connector «+»
2. Power connector «-»
3. Protection signal indicator
4. Arc welding current adjustment knob
5. Digital display (current meter)
6. On/off control
7. Fan
8. Power-supply cord
9. Adjusting knob “arc welding forcing”
10. Portable handle



PMI300-D

PREPARATION FOR WORK

To ensure a long service life, a safe and efficient welding unit is equipped with an automatic device for temperature control and cooling. It uses an electronic device to regulate the arc welding current.

INSTALLATION

Install the inverter welding machine on a flat, dry horizontal surface. Install the inverter welding machine so that foreign objects do not block the air flow to the work site to cool the machine and sufficient ventilation. Access to the device must be at least 250 mm on each side. It is also necessary to ensure that no drops of metal, dust and dirt fall on the inverter welding machine, so that the machine is not exposed to vapors of acids and similar aggressive media.

CONNECTION TO POWER SUPPLY

The electric mains to which the connection is made must be equipped with fuses or an automatic switch, designed for current and voltage in accordance with the technical data on the nameplate of your inverter welding machine. Connect the cables to the appropriate connectors.

ATTENTION!

Failure to comply with the above safety measures significantly reduces the effectiveness of electrical protection provided by the manufacturer and can lead to injuries to work (electric shock), equipment breakage and fire.

OPERATION

It is recommended to always follow the manufacturer's instructions on choosing the type of electrodes, as it indicates both the polarity of the connection and the optimal arc welding current. The arc welding current must be selected depending on the diameter of the electrode and the type of material to be processed.

The user should take into account that the arc welding current for the same type of electrodes is selected once, depending on the position of the welded parts: when welding on the horizontal, the current should be higher and when performing a vertical seam or working above the head – lower.

Remember that the nature of the weld depends not only on the current, but also on other parameters, such as the diameter and quality of the electrodes, the arc length, welding speed and position of the welder, as well as the condition of the electrodes, which must be stored in the package and be protected from moisture.

WELDING WORKS

Attach the minus contact clamp as close as possible to the weld area.

Place the electrode of the required diameter in the electrode holder.

Set the required current using the potentiometer. Be sure to keep the face mask.

To start welding, you need to touch the welding point of the electrode tip, and the movement of the hand should be similar to how you light a match. This is the correct method of arc ignition.

If while working tripped thermal protection (turn the on indicator thermal protection), the unit automatically turns off. You must turn off the machine for 20 minutes to allow the inverter welding machine to cool down and then continue.

ATTENTION!

Do not knock the electrode on the work surface when trying to ignite the arc, as this can cause damage to the arc and will only make it more difficult to ignite the arc in the future.

1. As soon as the arc ignition occurs, the electrode must be kept at a distance from the material to be processed, which corresponds to the diameter of the electrode. To obtain a uniform seam further, it is necessary to observe this distance as constant as possible. It is also necessary to remember that the slope of the electrode axis should be about 20-30 degrees.
2. Finishing of the welding seam move the electrode back a bit to fill the welding crater, then rapidly lift it up to the disappearance arc.

STORAGE AND MAINTENANCE

ATTENTION!

Never remove the cover of the inverter welding machine without first disconnecting it from the mains.

1. When the inverter welding machine is not used, it should be stored in a dry place out of the reach of children.
2. Regularly check the reliability of fixing of all fixtures. Upon detection of loose fasteners immediately tighten it. Otherwise, you put yourself at risk of injury.
3. Make sure that the air vents are always clean and have free access to air.
4. Regularly inspect the internal components of the inverter welding machine, depending on the frequency of use of the machine and the degree of dust in the workplace.

The load cycle (LC) must comply with the technical specifications. Non-compliance with these recommendations leads to automatic shutdown of the inverter welding machine due to overheating and the likelihood of breakage.

5. Remove accumulated dust from the internal parts of the inverter welding machine only with compressed air.
6. After finishing cleaning the dust from the inverter welding machine, put the cover back in place and tighten all the fastening screws.
7. To avoid accidents, never weld with the cover removed.

TERMS OF WARRANTY SERVICE

1. This Warranty Certificate is the only document that confirms your right to free warranty service. Without presenting this certificate, no claims are accepted. In case of loss or damage, the warranty certificate is not restored.

2. The warranty period for the power tool is 12 months from the date of sale, during the warranty period the service department eliminates manufacturing defects and replaces parts that have failed due to the fault of the manufacturer free of charge. In the warranty repair, an equivalent operable product is not provided. Replaceable parts become property of service providers.

P.I.T is not liable for any damage that may be caused by operation of the electric machine.

3. Only clean tool accompanied with the following duly executed documents: this Warranty Certificate, Warranty Card, with all fields filled out, bearing the stamp of the trade organization and the signature of the buyer, shall be accepted for warranty repair.

4. Warranty repair is not performed in the following cases:

- in the absence of a Warranty Certificate and a Warranty Card or their incorrect execution;
- with failure of both a rotor and a stator of the electric engine, charring or melting of primary winding of the welding machine transformer, charging or starting-charging device, with internal parts melting, burn down of electronic circuit boards;
- if a Warranty Certificate or a Warranty Card does not correspond to this electric machine or to the form established by the supplier;
- upon expiration of the warranty period;
- at attempts of opening or repair of the electric machine outside the warranty workshop; making constructive changes and lubrication of the tool during the warranty period, as evidenced, for example, by the creases on the spline parts of the fasteners of non-rotational parts.
- when using electric tools for production or other purposes connected with making a profit, as well as in case of malfunctions related to instability of the power network parameters exceeding the norms established by GOST;
- in the events of improper operation (use the electric machine for other than intended purposes, attachments to the electric machine of attachments, accessories, etc. not provided by the manufacturer);
- with mechanical damage to the case, power cord and in case of damages caused by aggressive agents and high and low temperatures, ingress of foreign objects in the ventilation grids of the electric machine, as well as in case of damage resulting from improper storage (corrosion of metal parts);
- natural wear and tear on the parts of the electric machine, as a result of long-term operation (determined on the basis of the signs of full or partial depletion of the specified mean life, great contamination, presence of rust outside and inside the electric machine, waste lubricant in the gearbox);
- use of the tool the purposes for other than specified in the operating instructions.
- mechanical damages to the tool;
- in the event of damages due to non-observance of the operating conditions specified in the instruction (see chapter "Safety Precautions" of the Manual).
- damage to the product due to non-observance of the rules of storage and transportation.

Preventive maintenance of electric machines (cleaning, washing, and lubrication, replacement of anthers, piston and sealing rings) during the warranty period is a paid service.

The service life of the product is determined in accordance with current legislation.

The owner is notified of any possible violations of the above terms of warranty service upon completion of diagnostics in the service center.

The owner of the tool entrusts the diagnostic procedure to be conducted in the service center in his absence.

Do not operate the electric machine when there are signs of excessive heat, sparking, or noise in the gearbox. To determine the cause of the malfunction, the buyer should contact the warranty service center.

Malfunctions caused by late replacement of carbon brushes of the engine are eliminated at the expense of the buyer.

5. The warranty does not cover:

- replacement of parts (accessories and furniture), for example: accumulators, disks, knives, drills, bores, cartridges, chains, sprockets, collet clamps, buses, tensioning elements and fasteners, trim tabs, pads of grinders and tape machines, etc.
- quick-wear parts, for example: carbon brushes, drive belts, glands, protective covers, guide rollers, guides/rails, rubber seals, bearings, timing belts and wheels, shafts, brake band, ratchet wheels and starter cables, piston rings, etc. Replacing them during the warranty period is a paid service.
- power cords, in case of insulation damage, power cords are subject to mandatory replacement without the consent of the owner (paid service),
- casing of machine.

Warranty service agreement.

This warranty does not limit the statutory rights of consumers granted to them by applicable law. Stable operation of the tool is guaranteed, provided that the buyer complies with all the rules of operation, transportation and storage established by the operation manuals.

Claims for completeness and physical form are accepted only in the store during buying the product.

Warranty claims are considered only if the original warranty card and receipt are filled in correctly.

The warranty period is ___ months from the date of sale of the power tool.

During the warranty period is eliminated free of charge:

Damage caused by the use of low-quality material, assembly defects caused by the manufacturer.

The warranty does not cover:

On mechanical damage (cracks, chips, etc.) and damage, ingress of foreign objects in the ventilation grilles of the power tool, as well as damage resulting from improper storage (corrosion of metal parts).

For tools with faults caused by overloading or improper operation, if the armature and the stator are out of order at the same time, for the use of the tool for other purposes, instability of the electric mains.

Damaged as a result of improper transportation, neglect, accidents, actions of a third party or force majeure (fire, thunder, flood, etc.).

On quickly wearing parts (carbon brushes, toothed belts, rubber seals, oil seals, protective covers, lubricant, etc.), as well as interchangeable accessories (chucks, batteries, charger) and replaceable quick-wear devices.

Natural wear and tear of the tool (full development of the resource, external and internal severe blockage or internal concrete, brick, ceramic, stone dust).

For tools that were opened or repaired during the warranty period independently.

For power tools used for business or professional purposes.

Warranty does not provide for periodic maintenance.

Repair, removing of defects in the power tool is carried out within 45 (forty-five) calendar days.

Familiarized with the technical capabilities of the product. I agree with the terms of the warranty and quality agreement. I confirm receipt of the product: serviceable, fully completed, tested in my presence. I have no claims to physical form.

Buyer's signature _____

Service ticket.

Product name _____

Serial No. _____

Commercial organization _____

City _____, str. _____

Tel. _____

Date of sale _____

Seller signature _____ Stamp _____

The warranty period is _____ months from the date of sale.

During the warranty period, all defects caused by the manufacturer are repaired free of charge.

To contact the service workshop you must submit:

- Service ticket
- Original sales check or cash receipt with the date of purchase
- Product certificate

Buyer's signature _____

Attention!

When selling a power tool, all fields of the warranty card must be filled in. Incomplete or incorrect completion of the warranty card may result in a waiver of the warranty.

Торговая марка P.I.T.[®] была основана в 1996 году группой компаний занимающихся производством, поставкой и сбытом ручного электроинструмента.

Постоянно проводя маркетинговые исследования, изучая спрос и потребности конечного потребителя, создана наиболее оптимальная и универсальная линейка электроинструмента и вспомогательного оборудования.

Такой подход позволил привлечь как любителей, так и профессиональных пользователей.

Следуя в ногу со временем, компания P.I.T. [®], при производстве своей продукции использует высококачественные комбинированные материалы и современные технологии. Применение высокопрочных легкосплавных металлов снижает вес и увеличивает срок службы инструмента, многослойный полимерный пластик гарантирует дополнительную защиту от ударов, падений и иных физических воздействий на изделие. Эргономика инструмента обеспечивает более комфортные условия при работе, вставки из силикона в зонах захвата способствуют снижению вибрации. Соответствие мировой стандартизации по контролю качества и безопасности позволяет производить продажу и использование продукции P.I.T. [®] практически в любой стране мира.

Все эти факторы позволяют продукции компании P.I.T. [®] пользоваться все большей популярностью у потребителей.

Компания P.I.T.[®] благодарит Вас за выбор нашей продукции!

МЕРЫ ПРЕДОСТОРОЖНОСТИ ПРИ РАБОТЕ СО СВАРОЧНЫМИ ИНВЕРТОРАМИ

1. Пользователи сварочного аппарата должны иметь соответствующую квалификацию.
2. Убедитесь в том, что параметры в электрической сети соответствуют параметрам, указанным на табличке с техническими характеристиками на сварочном аппарате и в настоящей инструкции.
3. Не погружайте изделие или отдельные его части в воду или другие жидкости. Не допускайте попадания влаги внутрь изделия.
4. Никогда не тяните за сетевой кабель питания для отключения сварочного аппарата из сети, возьмитесь за вилку и аккуратно выньте ее из электрической розетки.
5. Не позволяйте детям использовать сварочный аппарат или играть с ним.
6. Всегда отключайте сварочный аппарат из электросети, когда Вы его не используете.
7. Не оставляйте включенный сварочный аппарат без внимания.
8. Отключайте сварочный аппарат от электрической сети:
 - в случае любых неполадок;
 - перед сменой электродов или чисткой;
 - после окончания эксплуатации.
9. Храните сварочный аппарат в месте, недоступном для детей.
10. Не используйте сварочный аппарат для любых иных целей, кроме целей указанных в данной инструкции.
11. Избегайте попадания сетевого кабеля на обрабатываемую сварочным аппаратом поверхность.
12. Держите сетевой кабель вдали от источника нагрева, масла и острых предметов.
13. Не переносите сварочный аппарат, держа его за сетевой кабель.
14. Подключайте сварочный аппарат к электрической сети только после того как вы убедитесь в том, что кнопка включения находится в выключенном положении.

МЕРЫ ПРЕДОСТОРОЖНОСТИ ПРИ РАБОТЕ СО СВАРОЧНЫМИ ИНВЕРТОРАМИ

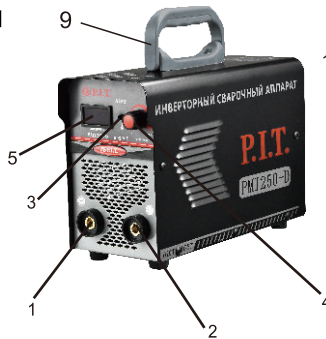
15. При работе со сварочным аппаратом пользуйтесь средствами индивидуальной защиты.
16. Не используйте при уходе за сварочным аппаратом чистящие средства, которые могут вызвать ржавчину, а также бензин и прочие агрессивные средства.
17. Ничего, кроме обрабатываемой поверхности, не должно касаться электрода при работе.
18. Не подвергайте сварочный аппарат сильным нагрузкам. Используйте сварочный аппарат для выполнения работ, для которых он предназначен.
19. Не допускайте присутствия посторонних в рабочей зоне.
20. Не используйте сварочный аппарат без защитного кожуха.
21. Запрещается работать с ненадежно закрепленной обрабатываемой деталью и нестабильной или неустойчивой поверхностью.
22. Всегда надёжно фиксируйте электрод.
23. Электрод необходимо подводить к обрабатываемому предмету только при включенном сварочном аппарате.
24. Следите за тем, чтобы ничто не попадало в движущиеся части сварочного аппарата.
25. Не используйте сварочный аппарат, если есть риск возгорания или взрыва, например, вблизи легковоспламеняющихся жидкостей или газов.
26. Не прикасайтесь во время работы со сварочным аппаратом к заземленным предметам.
27. Используйте зажимы, струбицы, тиски или другой способ надежного крепления обрабатываемой детали.
28. Не начинайте сварку пока вы не убедитесь в том, что вы изолированы от земли и от заготовки.
29. Работайте в маске полностью закрывающей ваше лицо - излучение опасно для вашего зрения и может вызвать ожог кожи при длительном прямом воздействии лучей.

МЕРЫ ПРЕДОСТОРОЖНОСТИ ПРИ РАБОТЕ СО СВАРОЧНЫМИ ИНВЕРТОРАМИ

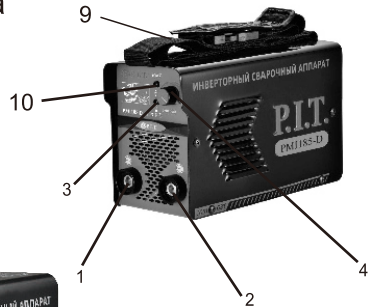
30. Не вдыхайте газы, образующиеся при сварке - они вредны для здоровья.
31. При обслуживании сварочного аппарата, используйте только рекомендованные сменные расходные части, насадки, аксессуары.
32. Не используйте сварочный аппарат, если не работает клавиша "включения/выключения" ("ON/OFF").
33. Подключайте сварочный аппарат только к источнику питания имеющему заземление.
34. Перед работой убедитесь, что электрод установлен правильно.
35. Не работайте с поврежденными электродами.
36. При повреждении сетевого кабеля не пользуйтесь сварочным аппаратом. По вопросу замены сетевого кабеля обратитесь в авторизованный сервисный центр.
37. Не пользуйтесь сварочным аппаратом с поврежденным проводом, после его падения или если на нем видны какие-либо следы повреждения. Обратитесь в авторизованный сервисный центр. Список сервисных центров в приложении к гарантийному талону.

**ЗАПРЕЩАЕТСЯ ЭКСПЛУАТАЦИЯ ИНСТРУМЕНТА В
СОСТОЯНИИ АЛКОГОЛЬНОГО ИЛИ
НАРКОТИЧЕСКОГО ОПЬЯНЕНИЯ**

1. Силовой разъем «+»
2. Силовой разъем «-»
3. Индикатор сигнала защиты
4. Ручка регулировки сварочного тока
5. Цифровой дисплей (амперметр)
6. Кнопка питания
7. Вентилятор
8. Шнур питания
9. Портативная ручка
10. Режим работы



PMI200-D
PMI250-D



PMI185-D

**ЗАПРЕЩАЕТСЯ ЭКСПЛУАТАЦИЯ ИНСТРУМЕНТА В
СОСТОЯНИИ АЛКОГОЛЬНОГО ИЛИ
НАРКОТИЧЕСКОГО ОПЬЯНЕНИЯ**

1. Силовой разъем «+»
2. Силовой разъем «-»
3. Индикатор сигнала защиты
4. Ручка регулировки сварочного тока
5. Цифровой дисплей (амперметр)
6. Кнопка питания
7. Вентилятор
8. Шнур питания
9. Ручка регулировки «форсаж дуги»
10. Портативная ручка



PMI300-D

КОМПЛЕКТ ПОСТАВКИ

Сварочный аппарат.
 Зажим заземления с кабелем.
 Электрододержатель с кабелем.
 Маска сварщика.
 Щетка сварщика.
 Инструкция по эксплуатации.
 Гарантийный талон.

ТЕХНИЧЕСКИЕ ХАРАКТЕРИСТИКИ

Артикул	PMI185-D	PMI200-D	PMI250-D	PMI300-D
Потребляемая мощность	3.7 кВт	4 кВт	4.5 кВт	5.2 кВт
Сварочный ток	10-185 А	10-200А	10-230А	10-270А
Сеть	170-260В/50Гц	170-260В/50Гц	170-260В/50Гц	170-260В/50Гц
Диаметр электродов	1.6-3.2мм	1.6-3.2мм	1.6- 4 мм	1.6-5. 0мм
Напряжение холостого хода	65±5В	65±5В	65±5В	65±5В
ПВ	60%	60%	60%	60%
Диаметр электрода (max)	3.2мм	3.2мм	3.2мм	5 мм
Класс защиты	IP21	IP21	IP21	IP21

РАСШИФРОВКА ДАТЫ ИЗГОТОВЛЕНИЯ ИЗДЕЛИЯ

Дата изготовления изделия зашифрована в серийном номере, напечатанном на корпусе инструмента. Первые 2 цифры обозначают год выпуска, следующие 2 цифры – месяц и следующие 2 цифры – день

No.

1	7	0	7	3	0	0	3	9	5
---	---	---	---	---	---	---	---	---	---

год месяц день

ПОДГОТОВКА К РАБОТЕ

Чтобы обеспечить длительный срок службы, безопасную и эффективную работу, сварочный аппарат оснащен автоматическим устройством для контроля температуры и охлаждения. В нем используется электронное устройство для регулирования сварочного тока.

УСТАНОВКА

Установите сварочный аппарат на ровной сухой горизонтальной поверхности. Установите сварочный аппарат так, чтобы посторонние предметы не перекрывали приток воздуха к месту работы для охлаждения аппарата и достаточной вентиляции, доступ к прибору должен быть как минимум 250 мм с каждой стороны. Также необходимо следить, чтобы на сварочный аппарат не попадали капли металла, пыль и грязь, чтобы аппарат не подвергался воздействию паров кислот и подобных агрессивных сред.

ПОДКЛЮЧЕНИЕ К ЭЛЕКТРОПИТАНИЮ

Электросеть, к которой производится подключение, должна быть оснащена предохранителями или автоматическим выключателем, рассчитанными на ток и напряжение в соответствии с техническими данными на фирменной табличке Вашего сварочного аппарата. Подсоедините кабели к соответствующим разъёмам.

ВНИМАНИЕ!

Несоблюдение указанных выше мер безопасности существенно снижает эффективность электрозащиты предусмотренной производителем и может привести к травмам работников (электрошоки), поломке оборудования и пожару.

ЭКСПЛУАТАЦИЯ

Рекомендуется всегда следовать инструкциям производителя о выборе вида электродов, так как в ней указаны и полярность подсоединения, и оптимальный ток сварки.

Ток сварки должен выбираться в зависимости от диаметра электрода и типа обрабатываемого материала.

Пользователю необходимо учитывать, что сила сварочного тока для одного и того же типа электродов выбирается разной, в зависимости от положения свариваемых деталей: при сварке на горизонтали сила тока должна быть выше, а при выполнении вертикального шва или работе над головой - ниже.

Помните, что характер сварочного шва зависит не только от силы тока, но и других параметров, таких как диаметр и качество электродов, длина дуги, скорости сварки и положения сварщика, а также от состояния электродов, которые должны храниться в упаковке и быть защищены от сырости.

ПРОВЕДЕНИЕ СВАРОЧНЫХ РАБОТ

Присоедините зажим контакта "минус" как можно ближе к области сварки.

Поместите электрод необходимого диаметра в держатель электрода.

Установите необходимый ток с помощью потенциометра.

Обязательно держите перед лицом маску.

Чтобы начать сварку нужно прикоснуться к месту сварки концом электрода, при этом движение руки должно быть похоже на то, как вы зажигаете спичку. Это и есть правильный метод зажигания дуги.

Если во время работы сработала тепловая защита (включился индикатор включения тепловой защиты), аппарат автоматически отключается. Необходимо выключить аппарат на 20 минут, для того чтобы сварочный аппарат остыл, и после этого можно продолжить работу.

ВНИМАНИЕ!

Не стучите электродом по рабочей поверхности при попытках зажечь дугу, так как это может привести к его повреждению и в дальнейшем только затруднит зажигание дуги.

1. Как только произойдет зажигание дуги, электрод нужно держать на таком расстоянии от обрабатываемого материала, которое соответствует диаметру электрода. Для получения равномерного шва далее необходимо соблюдать эту дистанцию по возможности постоянной. Также необходимо помнить, что наклон оси электрода должен быть примерно 20-30 градусов.
2. Закончивая сварочный шов, отведите электрод немного назад, чтобы заполнился сварочный кратер, а затем резко поднимите его до исчезновения дуги.

ХРАНЕНИЕ И ТЕХНИЧЕСКОЕ ОБСЛУЖИВАНИЕ

ВНИМАНИЕ!

Никогда не снимайте кожух сварочного аппарата для проведения работ без предварительного отключения от электросети.

1. Когда сварочный аппарат не используют, он должен храниться в сухом недоступном для детей месте.
2. Регулярно проверяйте надежность фиксации всех креплений. При обнаружении ослабленного крепления немедленно затяните его. В противном случае Вы подвергаете себя риску получения травмы.
3. Следите за тем, чтобы вентиляционные отверстия всегда были чистыми и к ним был обеспечен свободный доступ воздуха.
4. Регулярно осматривайте внутренние узлы сварочного аппарата в зависимости от частоты использования аппарата и степени запыленности рабочего места. Продолжительность включения (ПВ) должна соответствовать техническим характеристикам. Несоответствие данным рекомендациям приводит к автоматическому отключению сварочного аппарата вследствие перегрева и к вероятности поломки.

5. Удаляйте накопившуюся пыль с внутренних частей сварочного аппарата только при помощи сжатого воздуха.
6. После окончания очистки сварочного аппарата от пыли верните кожух на место и хорошо закрутите все крепежные винты.
7. Во избежание несчастных случаев никогда не проводите сварку при снятом кожухе.

УСЛОВИЯ ГАРАНТИЙНОГО ОБСЛУЖИВАНИЯ

1. Настоящее гарантийное свидетельство является единственным документом, подтверждающим Ваше право на бесплатное гарантийное обслуживание. Без предъявления данного свидетельства претензии не принимаются. В случае утери или порчи гарантийного свидетельства не восстанавливается.
 2. Гарантийный срок на электроинструмент составляет 12 месяцев со дня продажи, в течение гарантийного срока сервисная служба бесплатно устраняет производственные дефекты и производит замену деталей, вышедших из строя по вине изготовителя. На период гарантийного ремонта эквивалентный исправный инструмент не предоставляется. Заменяемые детали переходят в собственность служб сервиса. Компания "P.I.T." не несет ответственности за вред, который может быть причинен при работе с электроинструментом.
 3. В гарантийный ремонт инструмент принимается в чистом виде, при обязательном наличии надлежащим образом оформленных документов: настоящего гарантийного свидетельства, гарантийного талона, с полностью заполненными полями, штампом торговой организации и подписью покупателя.
 4. Гарантийный ремонт не производится в следующих случаях:
 - при отсутствии гарантийного свидетельства и гарантийного талона или неправильном их оформлении;
 - при совместном выходе из строя якоря и статора электродвигателя, при обугливании или оплавлении первичной обмотки трансформатора сварочного аппарата, зарядного или пускозарядного устройства, при оплавлении внутренних деталей, прожоге электронных плат;
 - если гарантийное свидетельство или талон не принадлежат данному электроинструменту или не соответствует установленному поставщиком образцу;
 - по истечении срока гарантии;
 - при попытках самостоятельного вскрытия или ремонта электроинструмента вне гарантийной мастерской; внесения конструктивных изменений и смазки инструмента в гарантийный период, о чем свидетельствуют, например, заломы на шлицевых частях крепежа корпусных деталей.
 - при использовании электроинструмента в производственных или иных целях, связанных с получением прибыли, а также - при возникновении неисправностей связанных с нестабильностью параметров электросети, превышающих нормы, установленные ГОСТ;
 - при неправильной эксплуатации (использование электроинструмента не по назначению, установки на электроинструмент не предназначенных заводом-изготовителем насадок, дополнительных приспособлений и т.п.;
 - при механических повреждениях корпуса, сетевого шнура и при повреждениях, вызванных воздействиями агрессивных средств и высоких и низких температур, попадании инородных предметов в вентиляционные решетки электроинструмента, а также при повреждениях, наступивших в результате неправильного хранения(коррозия металлических частей);
 - при естественном износе деталей электроинструмента, в результате длительной эксплуатации(определяется по признакам полной или частичной выработки ресурса, сильного загрязнения, ржавчины снаружи и внутри электроинструмента, отработанной смазки в редукторе);
 - использование инструмента не по назначению, указанному в инструкции по эксплуатации.
 - при механических повреждениях инструмента;
 - при возникновении повреждений в связи с несоблюдением предусмотренных инструкцией условий эксплуатации(см. главу "Указание по технике безопасности" в инструкции).
 - повреждение изделия вследствие несоблюдения правил хранения и транспортировки.
- Профилактическое обслуживание электроинструмента (чистка, промывка, смазка, замена пыльников, поршневых и уплотнительных колец) в гарантийный период является платной услугой.
- Срок службы изделия установлен в соответствии с действующим законодательством.
- О возможных нарушениях, изложенных выше условий гарантийного обслуживания, владельцу сообщается после проведения диагностики в сервисном центре.
- Владелец инструмента доверяет проведение диагностики в сервисном центре в свое отсутствие.
- Запрещается эксплуатация электроинструмента при проявлении признаков повышенного нагрева, искрения, а также шума в редукторной части. Для выяснения причин неисправности покупателю следует обратиться в гарантийную мастерскую.
- Неисправности, вызванные несвоевременной заменой угольных щеток двигателя, устраняются за счет покупателя.
5. Гарантия не распространяется на:
 - сменные принадлежности (аксессуары и оснастка), например: аккумуляторы, диски, ножи, сверла, буры, патроны, цепи, звездочки, цанговые зажимы, шины, элементы натяжения и крепления, головки триммеров, подошвы шлифовальных и ленточных машин, фильтры, сварочные кабели и т.п.
 - быстроизнашивающиеся детали, например: угольные щетки, приводные ремни, сальники, защитные кожухи, направляющие ролики, резиновые уплотнения, подшипники, зубчатые ремни и колеса, стволы, ленты тормоза, храповики и тросы стартеров, поршневые кольца и т.п. Замена их в течение гарантийного срока является платной услугой.
 - шнуры питания, в случае повреждения изоляции, шнуры питания подлежат обязательной замене без согласия владельца (услуга платная).
 - корпуса инструмента.

Соглашение о гарантийном сервисе.

Настоящая гарантия не ограничивает законных прав потребителей, предоставленных ему действующим законодательством .

Гарантируется стабильная работа инструмента при соблюдении покупателем всех правил эксплуатации, транспортировки и хранения, установленных инструкцией по эксплуатации.

Претензии по комплектности и внешнему виду принимаются только в магазине при покупке изделия.

Гарантийные претензии рассматриваются только при наличии правильно заполненного оригинального гарантийного талона и товарного чека.

Гарантийный срок составляет _____ месяцев со дня продажи электроинструмента.

В течение гарантийного срока устраняется бесплатно:

Повреждения, возникшие из-за применения некачественного материала, дефекты сборки, допущенные по вине изготовителя.

Гарантия не распространяется:

На механические повреждения (трещины, сколы и т.д.) и повреждения, попадание инородных предметов в вентиляционные решетки электроинструмента, а также повреждения, наступившие вследствие неправильного хранения (коррозия металлических частей).

На инструменты с неисправностями, возникшими вследствие перегрузки или неправильной эксплуатации, если одновременно вышли из строя якорь и статор, на применение инструмента не по назначению, нестабильности параметров электросети.

Поврежденные в результате неправильной транспортировки, небрежного обращения, аварий, действия третьих лиц или непреодолимой силы (пожар, гроза, наводнение и т.д.).

На быстро изнашиваемые части (угольные щетки, зубчатые ремни, резиновые уплотнения, сальники, защитные кожухи, смазку и т.п.), а также на сменные принадлежности (патроны , аккумуляторные батареи, зарядное устройство) и сменные быстро изнашиваемые приспособления.

Естественный износ инструмента (полная выработка ресурса, внешнее и внутреннее сильное засорение или внутреннее бетонной, кирпичной, керамической, каменной пылью).

На инструмент, вскрывавшийся или ремонтировавшийся в течение гарантийного срока самостоятельно.

На электроинструменты, используемые для предпринимательской деятельности или в профессиональных целях.

Гарантийное обязательство не предусматривает периодическое техническое обслуживание.

Ремонт, устранения недостатков в электроинструменте осуществляется в течение 45 (сорока пяти) календарных дней.

Ознакомлен с техническими возможностями изделия. Согласен с условиями соглашения о гарантии и качества. Подтверждаю получение изделия:

исправного, полностью комплектного, проверенного в моем присутствии.

Претензий к внешнему виду не имею.

Подпись покупателя _____

Сервисный талон.

Наименование изделия _____

Заводской номер _____

Торговая организация _____

Город _____, ул. _____

Тел. _____

Дата продажи _____

Подпись продавца _____ Штамп _____

Срок гарантии _____ месяцев со дня продажи.

В течении гарантийного срока все, появившиеся по вине изготовителя дефекты, устраняются бесплатно.

Для обращения в сервисную мастерскую необходимо предъявить:

- Сервисный талон
- Оригинал товарного или кассового чека с датой покупки
- Паспорт изделия

Подпись покупателя _____

Внимание!

При продаже электроинструмента должны заполняться все поля гарантийного талона. Неполное или неправильное заполнение гарантийного талона может послужить причиной к отказу от выполнения гарантийных обязательств.



P.I.T. WARRANTY CARD



Name _____
Serial number _____
Date of sale "" _____
(Filled by seller)

Seal is here

WARRANTY REPAIR CARD

date of acceptance for repair ____20_____
Application for repair _____
Customer _____
Telephone (address) _____
The reason for petition _____
Tool checked in my presence _____
(The order is filled in the service center) (signature)

Seal is here



Name _____
Serial number _____
Date of sale "" _____
(Filled by seller)

Seal is here

WARRANTY REPAIR CARD

date of acceptance for repair ____20_____
Application for repair _____
Customer _____
Telephone (address) _____
The reason for petition _____
Tool checked in my presence _____
(The order is filled in the service center) (signature)

Seal is here



Name _____
Serial number _____
Date of sale "" _____
(Filled by seller)

Seal is here

WARRANTY REPAIR CARD

date of acceptance for repair ____20_____
Application for repair _____
Customer _____
Telephone (address) _____
The reason for petition _____
Tool checked in my presence _____
(The order is filled in the service center) (signature)

Seal is here

Name _____
Serial number _____
The date of sale 20 _____
The date of receipt of the repair 20 _____

Name _____
Serial number _____
The date of sale 20 _____
The date of receipt of the repair 20 _____

Name _____
Serial number _____
The date of sale 20 _____
The date of receipt of the repair 20 _____

ГАРАНТИЙНЫЙ ТАЛОН P.I.T.

 Наименование _____
 Серийный номер _____
 Дата продажи «__» _____ 20 __ г.
 (Заполняется продавцом)

М.П.

КАРТА ГАРАНТИЙНОГО РЕМОНТА __ _____ 20 __ г.
 Дата приема в ремонт __ _____ 20 __ г.
 Заявка на ремонт _____
 Заказчик _____
 Телефон(адрес) _____
 Причина обращения _____
 Дата получения из ремонта __ _____ 20 __ г.
 Инструмент проверен в моем присутствии _____
 (Заказ заполняется в сервисном центре) (подпись)

М.П.

 Наименование _____
 Серийный номер _____
 Дата продажи «__» _____ 20 __ г.
 Дата получения из ремонта «__» _____ 20 __ г.

 Наименование _____
 Серийный номер _____
 Дата продажи «__» _____ 20 __ г.
 (Заполняется продавцом)

М.П.

КАРТА ГАРАНТИЙНОГО РЕМОНТА __ _____ 20 __ г.
 Дата приема в ремонт __ _____ 20 __ г.
 Заявка на ремонт _____
 Заказчик _____
 Телефон(адрес) _____
 Причина обращения _____
 Дата получения из ремонта __ _____ 20 __ г.
 Инструмент проверен в моем присутствии _____
 (Заказ заполняется в сервисном центре) (подпись)

М.П.

 Наименование _____
 Серийный номер _____
 Дата продажи «__» _____ 20 __ г.
 Дата получения из ремонта «__» _____ 20 __ г.

 Наименование _____
 Серийный номер _____
 Дата продажи «__» _____ 20 __ г.
 (Заполняется продавцом)

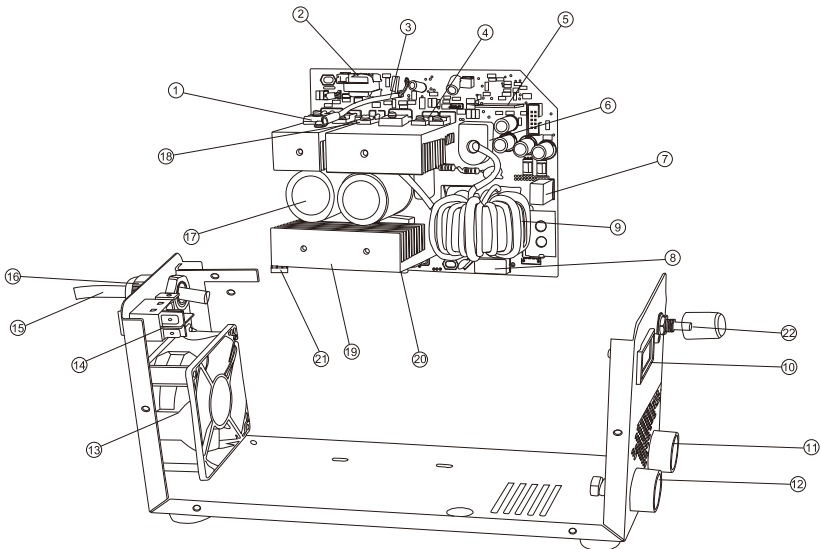
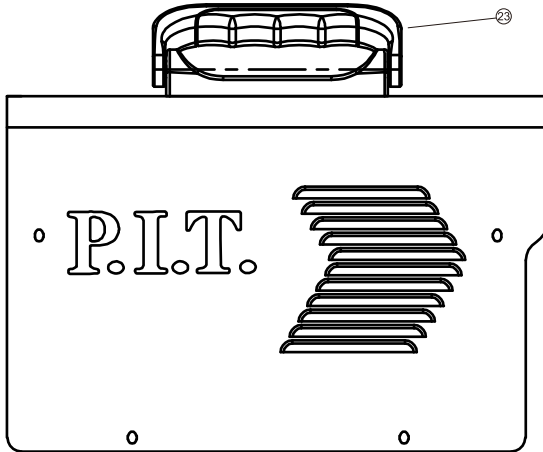
М.П.

КАРТА ГАРАНТИЙНОГО РЕМОНТА __ _____ 20 __ г.
 Дата приема в ремонт __ _____ 20 __ г.
 Заявка на ремонт _____
 Заказчик _____
 Телефон(адрес) _____
 Причина обращения _____
 Дата получения из ремонта __ _____ 20 __ г.
 Инструмент проверен в моем присутствии _____
 (Заказ заполняется в сервисном центре) (подпись)

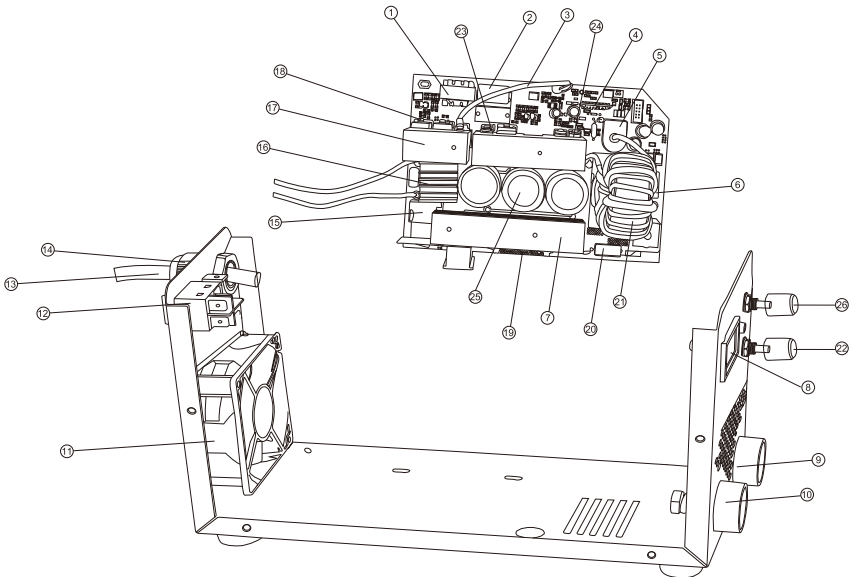
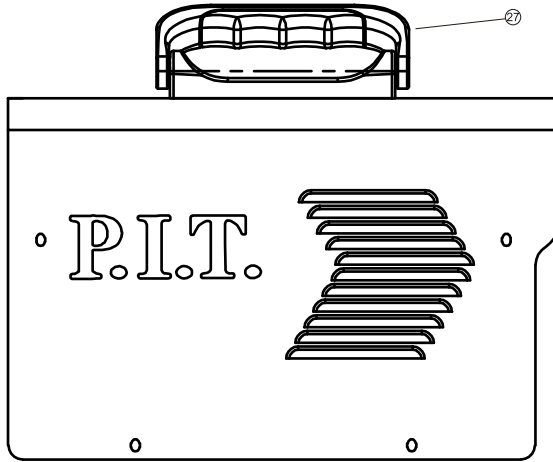
М.П.

 Наименование _____
 Серийный номер _____
 Дата продажи «__» _____ 20 __ г.
 Дата получения из ремонта «__» _____ 20 __ г.

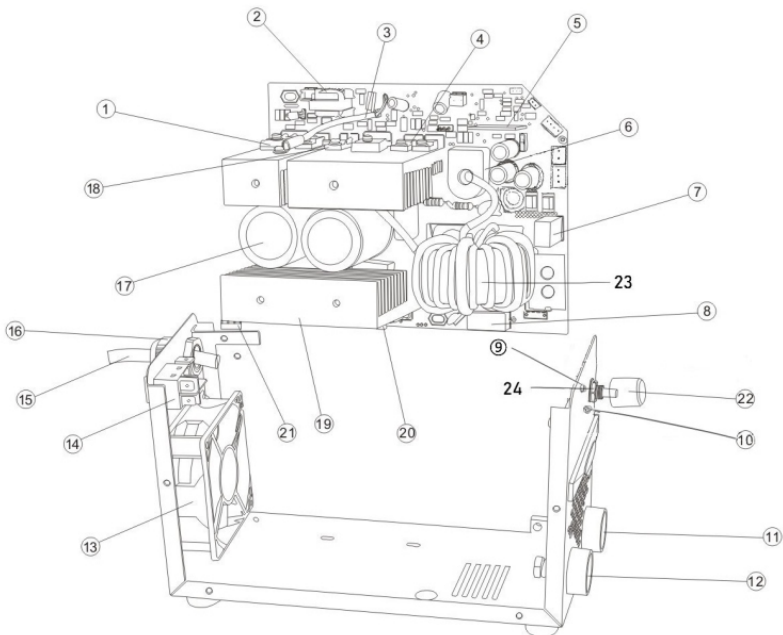
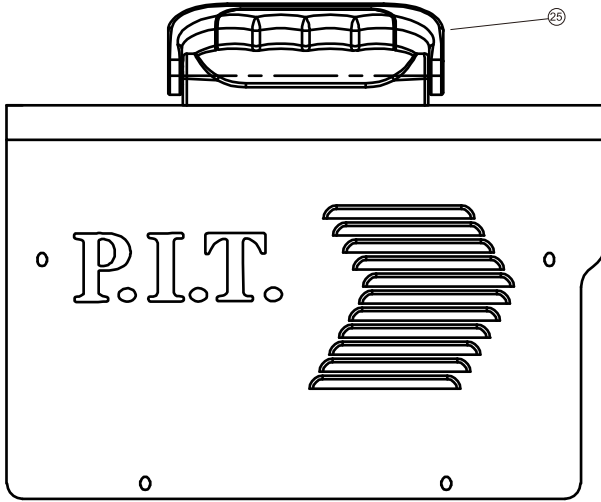
PMI200-D
PMI250-D



PMI300-D



PMI185-D





Поставщик / производитель: Xinjiang Longbo Industrial Co., Ltd./Синзянь Лонгбо Индастриал Ко., Лтд.

Адрес производства: Rm. 602, 6th Floor, No. 531, Weixing Road, Economic And Technological Development Zone, Urumqi, Xinjiang, China / Оф.602, 6 этаж, №531, Вейшинг Род, Экономик Энд Технологджикал Девелопмент Зон, Урумчи, Синзянь, Китай

Импортер/ организация, уполномоченная принимать претензии: ООО «Турбо-Тулс»

Юридический адрес: 614058, Пермский край, г. Пермь, ул. Фоминская, 36

info@pittools.ru

Сделано в КНР / Made in China

