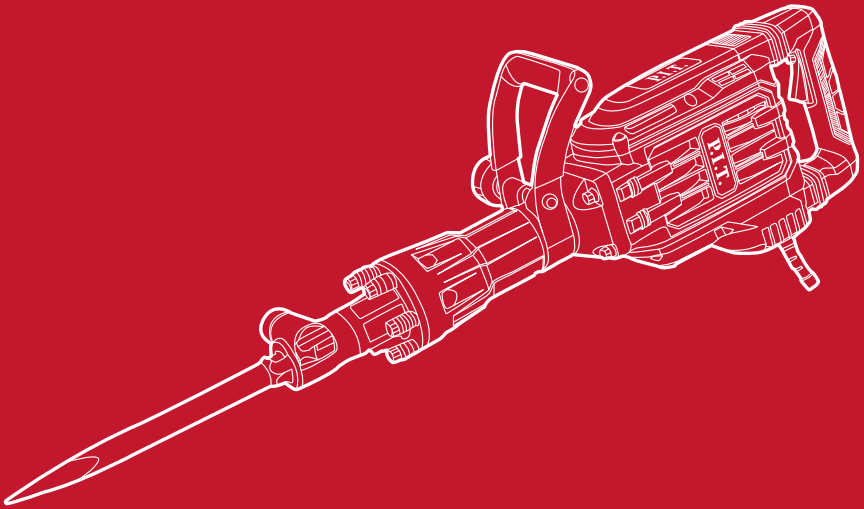


# P.I.T.

GSH65-C3



## DEMOLITION HAMMER ОТБойный МОЛОТОК

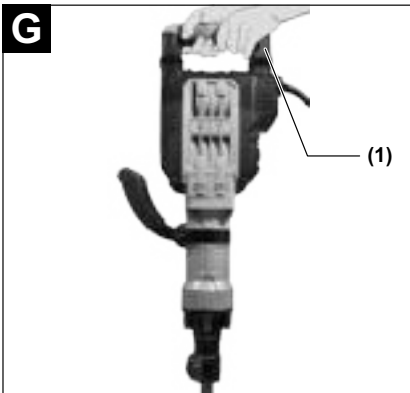
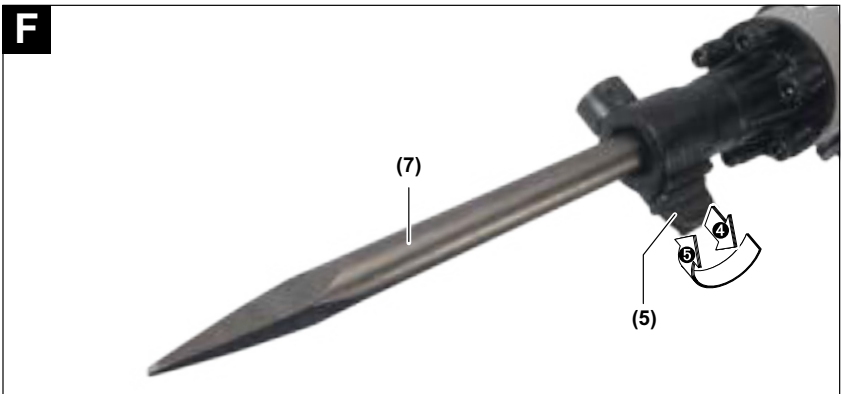
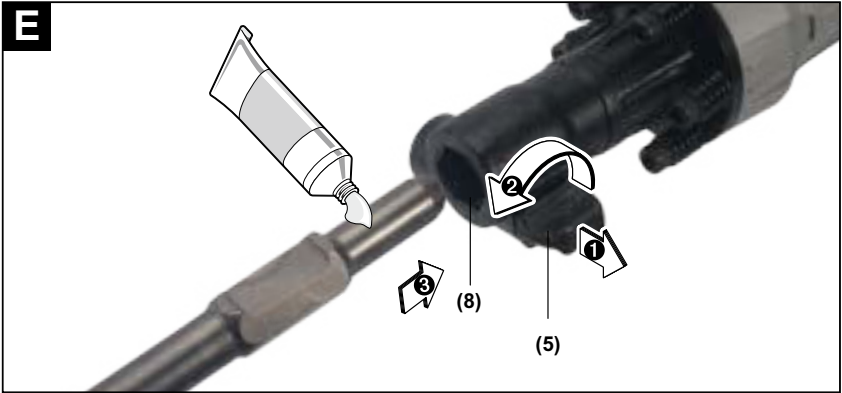
**2000W**

**Powerful  
Efficient**

Please read the instruction manual carefully before use!  
Пожалуйста, внимательно прочтите инструкцию перед использованием!







## English

### Safety Notes

#### General Power Tool Safety Warnings



**WARNING** Read all safety warnings and all instructions. Failure to follow the warnings and instructions may result in electric shock, fire and/or serious injury.

Save all warnings and instructions for future reference.

The term "power tool" in the warnings refers to your mainsoperated(corded) power tool or battery-operated (cordless) power tool.

#### Work area safety

- ▶ **Keep work area clean and well lit.** Cluttered or dark areas invite accidents.
- ▶ **Do not operate power tools in explosive atmospheres, such as in the presence of flammable liquids, gases or dust.** Power tools create sparks which may ignite the dust or fumes.
- ▶ **Keep children and bystanders away while operating a power tool.** Distractions can cause you to lose control.

#### Electrical safety

- ▶ **Power tool plugs must match the outlet. Never modify the plug in any way.** Do not use any adapter plugs with earthed (grounded) power tools. Unmodified plugs and matching outlets will reduce risk of electric shock.
- ▶ **Avoid body contact with earthed or grounded surfaces, such as pipes, radiators, ranges and refrigerators.** There is an increased risk of electric shock if your body is earthed or grounded.
- ▶ **Do not expose power tools to rain or wet conditions.** Water entering a power tool will increase the risk of electric shock.
- ▶ **Do not abuse the cord. Never use the cord for carrying, pulling or unplugging the power tool.** Keep cord away from heat, oil, sharp edges or moving parts. Damaged or entangled cords increase the risk of electric shock.
- ▶ **When operating a power tool outdoors, use an extension cord suitable for outdoor use.** Use of a cord suitable for outdoor use reduces the risk of electric shock.
- ▶ **If operating a power tool in a damp location is unavoidable, use a residual current device (RCD) protected supply.** Use of an RCD reduces the risk of electric shock.

#### Personal safety

- ▶ **Stay alert, watch what you are doing and use common sense when operating a power tool.** Do not use a power tool while you are tired or under the influence of drugs, alcohol or medication. A moment of inattention while operating power tools may result in serious personal injury.
- ▶ **Use personal protective equipment. Always wear eye protection.** Protective equipment such as dust mask, non-skid safety shoes, hard hat, or hearing protection used for appropriate conditions will reduce personal injuries.
- ▶ **Prevent unintentional starting. Ensure the switch is in the off-position before connecting to power source and/or battery pack, picking up or carrying the tool.** Carrying power tools with your finger on the switch or energizing power tools that have the switch on invites accidents.
- ▶ **Remove any adjusting key or wrench before turning the power tool on.** A wrench or a key left attached to a rotating part of the power tool may result in personal injury.
- ▶ **Do not overreach. Keep proper footing and balance at all times.** This enables better control of the power tool in unexpected situations.
- ▶ **Dress properly. Do not wear loose clothing or jewellery.** Keep your hair, clothing and gloves away from moving parts. Loose clothes, jewellery or long hair can be caught in moving parts.
- ▶ **If devices are provided for the connection of dust extraction and collection facilities, ensure these are connected and properly used.** Use of dust collection can reduce dust related hazards.

#### Power tool use and care

- ▶ **Do not force the power tool. Use the correct power tool for your application.** The correct power tool will do the job better and safer at the rate for which it was designed.
- ▶ **Do not use the power tool if the switch does not turn it on and off.** Any power tool that cannot be controlled with the switch is dangerous and must be repaired.
- ▶ **Disconnect the plug from the power source and/or the battery pack from the power tool before making any adjustments, changing accessories, or storing power tools.** Such preventive safety measures reduce the risk of starting the

power tool accidentally.

- ▶ **Store idle power tools out of the reach of children and do not allow persons unfamiliar with the power tool or these instructions to operate the power tool.** Power tools are dangerous in the hands of untrained users.
- ▶ **Maintain power tools. Check for misalignment or binding of moving parts, breakage of parts and any other condition that may affect the power tool's operation.** If damaged, have the power tool repaired before use. Many accidents are caused by poorly maintained power tools.
- ▶ **Keep cutting tools sharp and clean.** Properly maintained cutting tools with sharp cutting edges are less likely to bind and are easier to control.
- ▶ **Use the power tool, accessories and tool bits etc. in accordance with these instructions, taking into account the working conditions and the work to be performed.** Use of the power tool for operations different from those intended could result in a hazardous situation.
- ▶ **A good knowledge of power tools resulting from frequent use should not lead to overconfidence and neglect of power tool safety.** One careless action in a split second can result in serious injury.

### Service

- ▶ **Have your power tool serviced by a qualified repair person using only identical replacement parts.** This will ensure that the safety of the power tool is maintained.

### Hammer Safety Warnings

- ▶ **ATTENTION!** To avoid damaging the product, never use the product as a lever.
- The tool may vibrate during normal use. The screws may loosen, resulting in breakage or accidents. Check the screw tightness carefully before use.
- Before starting work, make sure that the equipment is securely fastened.
- To avoid overheating, take breaks from work long enough to cool the product.
- ▶ **Wear ear protectors.** Exposure to noise can cause hearing loss.
- ▶ **Use auxiliary handle(s), if supplied with the tool.** Loss of control can cause personal injury.
- ▶ **Hold power tool by insulated gripping surfaces, when performing an operation where the cutting accessory may contact hidden wiring or its own cord.**

Cutting accessory contacting a "live" wire may make exposed metal parts of the power tool "live" and could give the operator an electric shock.

- ▶ **Use suitable detectors to determine if utility lines are hidden in the work area or call the local utility company for assistance.** Contact with electric lines can lead to fire and electric shock. Damaging a gas line can lead to explosion. Penetrating a water line causes property damage or may cause an electric shock.
- ▶ **In cold weather, or if the tool has not been used for a long period of time, allow the tool to warm up slightly by turning it on without load.** This will soften the grease. Without proper warming up, the impact action will be difficult.

### Product Description and Specifications



**Read all the safety and general instructions.**

Failure to observe the safety and general instructions may result in electric shock, fire and/or serious injury.

Please observe the illustrations at the beginning of this operating manual.

#### Intended use

The machine is intended for heavy chiselling and demolition work as well as for driving in and compacting with the appropriate accessories.

#### Product features

The numbering of the product features refers to the diagram of the power tool on the graphics page.

- (1) Handle (insulated gripping surface)
- (2) On/off switch
- (3) Carrying handle
- (4) Knurled nut for carrying handle
- (5) Locking pin
- (6) Work tool (equipment)
- (7) Tool holder
- (8) Oil gauge window

#### Technical parameter

Model	GSH65-C3
Rated voltage	220 V~/50 Hz
Power	2000 W
Impact frequency	2000 ipm
Impact energy	65 J
Chuck	hex ker,30 mm
Weight	16 kg

**Contents of delivery**

Demolition hammer	1 pc
Pointed chisel	1 pc
Flat chisel	1 pc
Wrench	1 pc
Hexagonal wrench	1 pair
Oiler	1 pc
Carbon brush	1 pair
Instruction manual	1 pc

**Note**

Technical errors and typos may be made in the text and numerical designations of the instructions.

Since the product is constantly being improved, P.I.T. reserves the right to make changes to the specifications and product specifications specified here without prior notice.

**Assembly****Additional handle**

The additional handle can be rotated to any position. To do this, loosen the clamping nut, turn the handle to the desired position and tighten the clamping nut.

**Changing the tool**

- ▶ **Pull the plug out of the socket before carrying out any work on the power tool.**
- Clean the tool shank and apply a light coat of grease.
- Pull out the lock bolt and turn it 180° anticlockwise. Allow the lock bolt to engage again.
- Insert the application tool all the way into the tool holder. The groove of the tool shank must face upwards as shown in the figure.
- Pull out the lock bolt and turn it 180° clockwise. Allow the lock bolt to engage again.
- Check that it is locked by pulling on the tool.

**Dust/Chip Extraction**

Dust from materials such as lead-containing coatings, some wood types, minerals and metal can be harmful to one's health. Touching or breathing in the dust can cause allergic reactions and/or lead to respiratory infections of the user or bystanders.

Certain dust, such as oak or beech dust, is considered carcinogenic, especially in connection with wood-treatment additives (chromate, wood preservative). Materials containing asbestos may only be worked by specialists.

- Provide for good ventilation of the working place.
- It is recommended to wear a P2 filter-class respirator.

Observe the relevant regulations in your country for the materials to be worked.

- ▶ **Avoid dust accumulation at the work-place. Dust can easily ignite.**

**Operation****Starting operation**

- ▶ **Pay attention to the mains voltage. The voltage of the power source must match the voltage specified on the rating plate of the power tool.**

**Switching on/off**

- To start the machine, push the on/off switch into position "I".
- To switch off the machine, push the on/off switch into position "0".

At low temperatures, the power tool will take a certain amount of time to reach its full impact performance. You can shorten this warm-up time by tapping the power tool's inserted application tool on the ground once.

**Working advice**

- ▶ **Pull the plug out of the socket before carrying out any work on the power tool.**

**ATTENTION! Before using the jackhammer for the first time, it is necessary to fill the gearbox with oil in a volume of 70 ml:**

- Use only clean 15w / 40 engine oil.
- For filling it is necessary to unscrew the oil gauge window, add oil, screw the window.
- Place a jackhammer on the chuck and make sure that the oil reaches the middle of the window. Add oil if necessary.
- Before every start of work, check the oil level in the gearbox.
- ▶ Before use, carefully check the tightness of the screws and make sure that the equipment is securely fastened.

When working, hold the power tool by the handle with both hands. The handle can move upwards and downwards around its axis by approx 30 mm. This has a damping effect against vibrations.

For the highest possible impact damping, work only with moderate pressure.

- ▶ When the tooling is jammed in the material being processed:
- Turn off the hammer, disconnect from the power supply.
- After unlocking the chuck lock, remove the hammer from the rig.

- With the help of available tools, release the rig from the material.
- Install the tooling into the chuck, having previously cleaned and lubricated the receiving hole of the chuck and the tool shank.
- ▶ Before working with a hammer at low temperatures, it is necessary to let the engine idle for a few minutes to warm up the lubrication of the mechanisms.
- ▶ During operation, do not place the chuck close to the surface and do not immerse it in the ground. Otherwise, the tool may become clogged with dirt and fail.

### Sharpening Chisels

Only sharp chiselling tools will produce good results, therefore sharpen your chiselling tools in good time before use. This will ensure a long service life for the tools and good work results.

### Resharpener

Grind chiselling tools against sanding discs, e.g. aluminium oxide, under a steady stream of water. Take care that no annealing colouration appears on the cutting edges; this impairs the hardness of the chiselling tools.

## Maintenance and Service

### Maintenance and Cleaning

- ▶ **Unplug the power tool before handling any power tool.**
- ▶ **After finishing work, clean the chuck, power cord, hammer body and ventilation openings from dust and dirt.**
- ▶ **Remove the rig and clean it of dirt and grease.**
- ▶ **Always check whether the screws of the demolition hammer are tightened. If the screws are found to be loose, they should be tightened immediately, otherwise it will cause serious accidents.**

### Service

- ▶ **Have your power tool repaired only by qualified personnel and only with original spare parts. This ensures the safety of the power tool.**

The list of authorized service centers can be viewed on the official website of P.I.T. by the link: <https://pittools.ru/services/>


### Storage and transportation

Store the instrument in closed rooms with natural ventilation in a package at an air temperature of 10 ° C to + 50 ° C and an air humidity of no more than 80%.

Products can be transported by any type of closed transport in the manufacturer's pack-

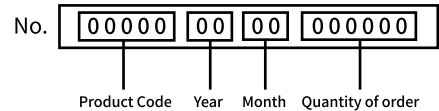
aging or without it, while preserving the product from mechanical damage, atmospheric precipitation. Remove the battery and replacement tool from the tool before transporting.

### Dispose of waste

 Damaged power tools, batteries, accessories and waste packaging materials must be recycled and reused in an environmentally friendly manner.

Do not throw power tools and accumulators / batteries into general household waste!

### Product serial number interpretation



The date of manufacture of the product is encoded in the serial number printed on the body of the tool. The first 2 digits indicate the year of issue, the next 2 digits indicate the month.

## TERMS OF WARRANTY SERVICE

To customers (users) of warranty service:

1. This warranty certificate is the only document that confirms your right to free warranty service. If this proof is not presented, no claims will be accepted. Warranty certificates cannot be recovered if lost or damaged.

2. It is required to provide a valid and legal document for purchasing the product. The document must have the name or seal of the sales company; at the same time, state the full model name of the purchased P.I.T. product, the serial number on the nameplate of the fuselage, and the date of purchase, and the required warranty. The whole machine and its accessories.

The warranty period:

1. The warranty period of the product is 12 months from the date of sale. During the warranty period, the service department will eliminate manufacturing defects free of charge and replace the parts that fail due to the manufacturer's fault. In warranty repair, an equivalent operable product is not provided. Replaceable parts become the property of the service provider.

2. The wear degree on the diameter of the motor rotor commutator is less than 0.4 mm (except for brushless motor tools), and the internal damage caused by the quality of the tool belongs to the warranty.

The following situations occur during the warranty period, which is not covered by the warranty:

1. In the absence of any valid legal documents (invoices) such as warranty certificates and warranty cards to prove the date of purchase.
2. Damage caused by natural wear and overload. (For example, motor rotor and stator failure caused by overload, scorching or melting of the primary winding of the welding machine transformer, charging or starting the charging device, melting of internal parts, burning of electronic circuit boards, etc.)
3. The casing and power cord are mechanically damaged, as well as damage caused by corrosive media and high and low temperature, foreign objects entering the ventilation network of the motor, and damage caused by improper storage (corrosion of metal parts);
4. Damage caused by improper carrying, transportation and storage by users.
5. Products that are opened, repaired, replaced or modified by users themselves.
6. Any damage caused by indiscriminate use, beyond the scope of use of the tool, and not in accordance with the instructions for use and maintenance. (see chapter "Safety Precautions" in the manual);
7. The damage caused by the following situations is not guaranteed due to improper use

and non-quality problems:

- (1) When the power tool is running at high speed, use the braking device to forcibly stop the rotation.
- (2) Excessive pressure is applied to the tool during the use of the tool.
- (3) Use the tool outside the scope of its purpose and capabilities.
- (4) Damage caused by the tool working in a dusty environment for a long time without timely maintenance of the tool.
- (5) Change the rotation direction of the work head before the tool stops completely.
- (6) Shock the battery or charger and replace the plug of the charger without permission, causing damage to the battery or charger.
- (7) Damage caused by two-stroke gasoline tools not being fueled in the correct proportions.

The warranty does not include:

1. Replacement of accessories (accessories and components) such as batteries, discs,

blades, drills, chucks, chains, sprockets, collet clamps, guide rails, tension and fastening elements, dresser heads, grinders And belt sander base machine, hexagonal head, etc.;

2. Wearing parts, such as: carbon brushes, transmission belts, seals, protective covers, guide rollers, guide rails, rubber seals, bearings, toothed belts and wheels, shanks, brake belts, starter ratchets and ropes, piston rings Wait.

The above accessories are replaced with paid services during the warranty period;



## Русский

Указания по технике безопасности  
Общие указания по технике безопасно-  
сти для электроинструментов



### ПРЕДУПРЕЖДЕНИЕ

Прочтите все указания и инструк-  
ции по технике безопасности.

Несоблюдение указаний и инструкций по  
технике безопасности может стать причи-  
ной поражения электрическим током, пожа-  
ра и тяжелых травм.

**Сохраняйте эти инструкции и указания  
для будущего использования.**

Использованное в настоящих инструкциях  
и указаниях понятие «электроинструмент»  
распространяется на электроинструмент с  
питанием от сети (с сетевым шнуром) и на  
аккумуляторный электроинструмент (без  
сетевого шнура).

### Безопасность рабочего места

- ▶ Содержите рабочее место в чистоте и  
хорошо освещенным. Беспорядок или  
неосвещенные участки рабочего места  
могут привести к несчастным случаям.
- ▶ Не работайте с этим электроинстру-  
ментом во взрывоопасном помеще-  
нии, в котором находятся горючие  
жидкости, воспламеняющиеся газы  
или пыль. Электроинструменты искрят,  
что может привести к воспламенению  
пыли или паров.
- ▶ Во время работы с электроинстру-  
ментом не допускайте близко к Ва-  
шему рабочему месту детей и посто-  
ронних лиц. Отвлечшись, Вы можете  
потерять контроль над электроинстру-  
ментом.

### Электробезопасность

- ▶ Штепсельная вилка электроинстру-  
мента должна подходить к штепсель-  
ной розетке. Ни в коем случае не  
изменяйте штепсельную вилку. Не  
применяйте переходные штекеры  
для электроинструментов с защит-  
ным заземлением. Неизменные  
штепсельные вилки и подходящие  
штепсельные розетки снижают риск по-  
ражения электротоком.
- ▶ Предотвращайте телесный контакт  
с заземленными поверхностями, как  
то: с трубами, элементами отопления,  
кухонными плитами и холодильника-  
ми. При заземлении Вашего тела повы-  
шается риск поражения электротоком.
- ▶ Защищайте электроинструмент от

дождя и сырости. Проникновение воды  
в электроинструмент повышает риск по-  
ражения электротоком.

- ▶ Не разрешается использовать шнур  
не по назначению, например, для  
транспортировки или подвески элек-  
троинструмента, или для вытягива-  
ния вилки из штепсельной розетки.  
Защищайте шнур от воздействия  
высоких температур, масла, острых  
кромок или подвижных частей элек-  
троинструмента. Поврежденный или  
спутанный шнур повышает риск пораже-  
ния электротоком.
- ▶ При работе с электроинструментом  
под открытым небом применяйте  
пригодные для этого кабели удлин-  
нители. Применение пригодного для  
работы под открытым небом кабеля  
удлинителя снижает риск поражения  
электротоком.
- ▶ Если невозможно избежать приме-  
нения электроинструмента в сыром  
помещении, подключайте электроин-  
струмент через устройство защитного  
отключения. Применение устрой-  
ства защитного отключения снижает риск  
электрического поражения.

### Личная безопасность

- ▶ Будьте внимательными, следите за  
тем, что Вы делаете, и продуманно  
начинайте работу с электроинстру-  
ментом. Не пользуйтесь электроин-  
струментом в усталом состоянии  
или если Вы находитесь в состоянии  
наркотического или алкогольного  
опьянения или под воздействием ле-  
карств. Один момент невнимательно-  
сти при работе с электроинструментом  
может привести к серьезным травмам.
- ▶ Применяйте средства индивидуаль-  
ной защиты и всегда защитные очки.  
Использование средств индивидуальной  
защиты, как то: защитной маски, обуви  
на нескользящей подошве, защитного  
шлема или средств защиты органов  
слуха, – в зависимости от вида работы  
с электроинструментом снижает риск  
получения травм.
- ▶ Предотвращайте непреднамеренное  
включение электроинструмента.  
Перед подключением электроин-  
струмента к электропитанию и/или к  
аккумулятору убедитесь в выключен-  
ном состоянии электроинструмента.  
Удержание пальца на выключателе при-

транспортировке и подключение к сети питания включенного электроинструмента чревато несчастными случаями.

- ▶ **Убирайте установочный инструмент или гаечные ключи до включения электроинструмента.** Инструмент или ключ, находящийся во вращающейся части электроинструмента, может привести к травмам.
- ▶ **Не принимайте неестественное положение корпуса тела. Всегда занимайте устойчивое положение и сохраняйте равновесие.** Благодаря этому Вы можете лучше контролировать электроинструмент в неожиданных ситуациях.
- ▶ **Носите подходящую рабочую одежду. Не носите широкую одежду и украшения. Держите волосы, одежду и рукавицы вдали от движущихся частей.** Широкая одежда, украшения или длинные волосы могут быть затянuty вращающимися частями.
- ▶ **При наличии возможности установки пылеотсасывающих и пылесборных устройств проверяйте их присоединение и правильное использование.** Применение пылесоса может снизить опасность, создаваемую пылью.
- ▶ **Хорошее знание электроинструментов, полученное в результате частого их использования, не должно приводить к самоуверенности и игнорированию техники безопасности обращения с электроинструментами.** Одно небрежное действие за долю секунды может привести к серьезным травмам.

**Применение электроинструмента и обращение с ним**

- ▶ **Не перегружайте электроинструмент. Используйте для Вашей работы предназначенный для этого электроинструмент.** С подходящим электроинструментом Вы работаете лучше и надежнее в указанном диапазоне мощностей.
- ▶ **Не работайте с электроинструментом при неисправном выключателе.** Электроинструмент, который не поддается включению или выключению, опасен и должен быть отремонтирован.
- ▶ **До начала наладки электроинструмента, перед заменой принадлежностей и прекращением работы отключайте штепсельную вилку от розетки сети и/или выньте аккумулятор.** Эта мера предосторожности предотвращает

непреднамеренное включение электроинструмента.

- ▶ **Храните электроинструменты в недоступном для детей месте. Не разрешайте пользоваться электроинструментом лицам, которые не знакомы с ним или не читали настоящих инструкций.** Электроинструменты опасны в руках неопытных лиц.
- ▶ **Тщательно ухаживайте за электроинструментом. Проверьте безупречную функцию и ход движущихся частей электроинструмента, отсутствие поломок или повреждений, отрицательно влияющих на функцию электроинструмента. Поврежденные части должны быть отремонтированы до использования электроинструмента.** Плохое обслуживание электроинструментов является причиной большого числа несчастных случаев.
- ▶ **Держите режущий инструмент в заточенном и чистом состоянии.** Заботливо ухоженные режущие инструменты с острыми режущими кромками режут заклиниваются и их легче вести.
- ▶ **Применяйте электроинструмент, принадлежности, рабочие инструменты и т.п. в соответствии с настоящими инструкциями. Учитывайте при этом рабочие условия и выполняемую работу.** Использование электроинструментов для непредусмотренных работ может привести к опасным ситуациям.

#### Сервис

- ▶ **Ремонт Вашего электроинструмента поручайте только квалифицированному персоналу и только с применением оригинальных запасных частей.** Этим обеспечивается безопасность электроинструмента.

#### Указания по технике безопасности для молотков

- ▶ **ВНИМАНИЕ!** Во избежание повреждения изделия ни в коем случае не используйте изделие в качестве рычага.
- При нормальной эксплуатации инструмент может вибрировать. Винты могут раскрутиться, что приведет к поломке или несчастному случаю. Перед эксплуатацией тщательно проверяйте затяжку винтов
- Перед выполнением работ убедитесь в надежном креплении оснастки.
- Для исключения перегрева делайте перерывы в работе, достаточные для

охлаждения изделия.

- ▶ **Применяйте средства защиты органов слуха.** Шум может привести к потере слуха.
- ▶ **Используйте дополнительную(ые) рукоятку(и), если они поставляются с электроинструментом.** Потеря контроля чревата травмами.
- ▶ **При выполнении работ, при которых рабочий инструмент может задеть скрытую электропроводку или свой собственный шнур питания, держите инструмент за изолированные поверхности.** Контакт с находящейся под напряжением проводкой может зарядить металлические части электроинструмента и привести к удару электрическим током.
- ▶ **Используйте соответствующие металлоискатели для нахождения скрытых в стене труб или проводки или обращайтесь за справкой в местное коммунальное предприятие.** Контакт с электропроводкой может привести к пожару и поражению электротоком. Повреждение газопровода может привести к взрыву. Повреждение водопровода ведет к нанесению материального ущерба или может вызвать поражение электротоком.
- ▶ **Крепко держите электроинструмент во время работы двумя руками и следите за устойчивым положением тела.** Двумя руками Вы можете более надежно вести электроинструмент.
- ▶ **В холодную погоду, или если инструмент не использовался в течение длительного периода времени, дайте инструменту немного прогреться, включив его без нагрузки.** Это размягчит смазку. Без надлежащего прогресса ударное действие будет затруднено.

## Описание продукта и услуг



**Прочтите все указания и инструкции по технике безопасности.**

Несоблюдение указаний по технике безопасности и инструкций может привести к поражению электрическим током, пожару и/или тяжелым травмам.

Пожалуйста, соблюдайте иллюстрации в начале руководства по эксплуатации.

## Применение по назначению

Данный электроинструмент предназначен для тяжелых долбежных работ и работ по сносу, а также с соответствующими принад-

лежностями для вбивания, вколачивания и утамбовывания.

## Изображенные составные части

Нумерация представленных компонентов выполнена по изображению на странице с иллюстрациями.

- (1) Рукоятка (с изолированной поверхностью)
- (2) Выключатель
- (3) Дополнительная рукоятка
- (4) Зажимная гайка дополнительной рукоятки
- (5) Стопорный палец
- (6) Рабочий инструмент (оснастка)
- (7) Патрон крепления оснастки
- (8) Окно маслоуказателя

## Технические данные

Модель	GSH65-C3
Номинальное напряжение/частота	220 В / 50 Гц
Номинальная мощность	2000 Вт
Частота удара	2000 уд/мин
Сила удара	65 Дж
Патрон	шестигранник, 30 мм
Вес	16 кг

## Комплект поставки

Отбойный молоток	1 шт
Пика	1 шт
Плоское долото	1 шт
Ключ	1 шт
Шестигранный ключ	1 пара
Масленка	1 шт
Угловая щетка	1 пара
Инструкция пользователя	1 шт

## Примечание

В тексте и цифровых обозначениях инструкции могут быть допущены технические ошибки и опечатки.

Так как изделие постоянно совершенствуется, P.I.T. оставляет за собой право на внесение изменений в указанные здесь технические характеристики и комплектацию изделия без предварительного уведомления.

## Сборка

### Дополнительная рукоятка

Дополнительную рукоятку можно поворачивать в любое положение. Для этого ослабьте зажимную гайку, поверните рукоятку в нужное положение и затяните зажимную гайку.

## Замена рабочего инструмента

- ▶ **Перед любыми манипуляциями с**

**электроинструментом вытаскивайте штепсель из розетки.**

- Очистите хвостовик рабочего инструмента и слегка смажьте его.
- Оттяните стопорный палец и поверните его на 180° против часовой стрелки. Дайте стопорному пальцу снова войти в зацепление.
- Вставьте рабочий инструмент до упора в патрон. Паз хвостовика рабочего инструмента должен смотреть вверх, как показано на рисунке.
- Оттяните стопорный палец и поверните его на 180° по часовой стрелке. Дайте стопорному пальцу снова войти в зацепление.
- Проверьте фиксацию попыткой вытянуть рабочий инструмент.

**Удаление пыли и стружки**

Пыль некоторых материалов, как напр., красок с содержанием свинца, некоторых сортов древесины, минералов и металлов, может быть вредной для здоровья.

Прикосновение к пыли и попадание пыли в дыхательные пути может вызвать аллергические реакции и/или заболевания дыхательных путей оператора или находящегося вблизи персонала.

Определенные виды пыли, напр., дуба и бука, считаются канцерогенными, особенно совместно с присадками для обработки древесины (хромат, средство для защиты древесины). Материал с содержанием асбеста разрешается обрабатывать только специалистам.

- Хорошо проветривайте рабочее место.
- Рекомендуется пользоваться респираторной маской с фильтром класса P2.

Соблюдайте действующие в Вашей стране предписания для обрабатываемых материалов.

- ▶ **Избегайте скопления пыли на рабочем месте.** Пыль может легко воспламениться.

**Указания по применению**

- ▶ **Перед любыми манипуляциями с электроинструментом вытаскивайте штепсель из розетки.**

**ВНИМАНИЕ!** Перед первой эксплуатацией отбойного молотка необходимо залить масло в редуктор в объеме 70мл:

- Использовать только чистое моторное масло 15w/40.
- Для заливки необходимо выкрутить окно маслоуказателя, залить масло, закрыть

тить окно.

- Поставить отбойный молоток на патрон и убедиться что масло доходит до середины окна. При необходимости долить масло.
- Перед каждым началом работы необходимо производить проверку уровня масла в редукторе.
- ▶ Перед эксплуатацией тщательно проверяйте затяжку винтов и убедитесь в надежном креплении оснастки.

Во время работы держите электроинструмент обеими руками за рукоятку.

При умеренной силе давления достигается самое эффективное демпфирование удара.

- ▶ При заклинивании оснастки в обрабатываемом материале:

- Выключите молоток, отсоедините от сети питания.
- Разблокировав замок патрона, снимите молоток с оснастки.
- С помощью подручных средств освободите оснастку из материала.
- Установите оснастку в патрон, предварительно очистив и смазав приемное отверстие патрона и хвостовик оснастки.

- ▶ Перед работой молотком при низкой температуре необходимо дать поработать двигателю несколько минут на холостом ходу, для разогрева смазки механизмов.

- ▶ Во время работы не располагайте патрон близко к поверхности и не погружайте в грунт. Иначе инструмент может забиться грязью и выйти из строя.

**Заточка долбежного инструмента**

Хорошие результаты в работе можно достичь только с острым инструментом. Поэтому своевременно затачивайте долбежный инструмент. Это обеспечивает продолжительный срок службы инструмента и хорошие результаты работы.

**Затачивание**

Точите долбежные инструменты на шлифовальных кругах, например, на кругах из белого электрокорунда, с равномерной подачей воды. Следите за тем, чтобы кромки не окрашивались в цвета побежалости, иначе это скажется на твердости резца.

**Техобслуживание и сервис****Техобслуживание и очистка**

- ▶ **Перед любыми манипуляциями с**

электроинструментом вытаскивайте штепсель из розетки.

- ▶ По окончании работы очистите от пыли и грязи патрон, шнур питания, корпус молотка и вентиляционные отверстия.
- ▶ Извлеките оснастку и очистите ее от грязи и смазки.
- ▶ Всегда проверяйте затяжку винтов отбойного молотка. Если обнаружите, что винты ослаблены, то их следует немедленно затянуть. В противном случае это может привести к серьезным несчастным случаям.

## Сервис

- ▶ Ремонт Вашего электроинструмента поручайте только квалифицированному персоналу и только с применением оригинальных запасных частей. Этим обеспечивается безопасность электроинструмента.

Список авторизованных сервисных центров можно посмотреть на официальном сайте P.I.T. по ссылке: <https://pittools.ru/servises/>

## Хранение и транспортировка

Храните инструмент в закрытых помещениях с естественной вентиляцией в упаковке при температуре воздуха от 10°C до +50°C и влажности воздуха не более 80%.

Транспортировать продукцию можно любым видом закрытого транспорта в упаковке производителя или без нее, с сохранением изделия от механических повреждений, атмосферных осадков. Перед транспортировкой извлеките аккумулятор и сменный инструмент из инструмента.

## Утилизация



Отслужившие свой срок электроинструменты, принадлежности и упаковка следует сдавать на экологически чистую переработку отходов.

Утилизируйте электроинструмент отдельно

## Расшифровка Даты Изготовления Изделия

No.	00000	00	00	000000
	Код продукта	Год	Месяц	Номер в партии

Дата изготовления изделия зашифрована в серийном номере, напечатанном на корпусе инструмента. Первые 2 цифры обозначают год выпуска, следующие 2 цифры –

месяц.

## УСЛОВИЯ ГАРАНТИЙНОГО ОБСЛУЖИВАНИЯ

1. Настоящее гарантийное свидетельство является единственным документом, подтверждающим ваше право на бесплатное гарантийное обслуживание. Без предъявления данного свидетельства претензии не принимаются. В случае утери или порчи гарантийное свидетельство не восстанавливается.

2. Гарантийный срок указан в гарантийном сертификате. В течение гарантийного срока сервисная служба бесплатно устраняет производственные дефекты и производит замену деталей, вышедших из строя по вине изготовителя.

На период гарантийного ремонта эквивалентный исправный инструмент не предоставляется. Заменяемые детали переходят в собственность службсервиса.

Компания P.I.T. не несет ответственности за вред, который может быть причинен при работе с электроинструментом.

3. В гарантийный ремонт инструмент принимается в чистом виде, при обязательном наличии надлежащим образом оформленных документов: настоящего гарантийного свидетельства, гарантийного талона, с полностью заполненными полями, штампом торговой организации и подписью покупателя.

4. Гарантийный ремонт не производится в следующих случаях:

- при отсутствии гарантийного свидетельства и гарантийного талона или неправильном их оформлении;
- степень износа диаметра коллектора ротора двигателя превышает 0,4 мм (за исключением инструментов с бесщеточным двигателем);
- при совместном выходе из строя якоря и статора электродвигателя, при обугливание или оплавлении первичной обмотки трансформатора сварочного аппарата, зарядного или пуско-зарядного устройства, при оплавлении внутренних деталей, прожиге электронных плат и других случаях;
- если гарантийное свидетельство или талон не принадлежит данному электроинструменту или не соответствует установленному поставщиком образцу;
- по истечении срока гарантии;
- при попытках самостоятельного вскрытия или ремонта электроинструмента вне га-

рантийной мастерской;

- внесения конструктивных изменений и смазки инструмента в гарантийный период, о чем свидетельствуют, например, заломы на шлицевых частях крепежа корпусных деталей;

- при использовании электроинструмента в производственных или иных целях, связанных с получением прибыли, а также при возникновении неисправностей связанных с нестабильностью параметров электросети, превышающих нормы, установленные ГОСТ;

- при неправильной эксплуатации, использованию электроинструмента не по назначению, указанному в инструкции по эксплуатации, установке на электроинструмент не предназначенных заводом-изготовителем насадок, дополнительных приспособлений и т.п.;

- при механических повреждениях корпуса, сетевого шнура и при повреждениях, вызванных воздействиями агрессивных средств и высоких и низких температур, попадании инородных предметов в вентиляционные решетки электроинструмента, а также при повреждениях, наступивших в результате неправильного хранения (коррозия металлических частей);

- при естественном износе деталей электроинструмента, в результате длительной эксплуатации (определяется по признакам полной или частичной выработки ресурса, сильного загрязнения, ржавчины снаружи и внутри электроинструмента, отработанной смазки в редукторе);

- при возникновении повреждений в связи с несоблюдением предусмотренных инструкцией условий эксплуатации (см. главу «Указание по технике безопасности» в инструкции).

- при повреждении изделия вследствие несоблюдения правил хранения и транспортировки;

- при сильном внутреннем загрязнении инструмента;

- при работе с перегрузкой бензоинструмента, изменении цвета чашки и муфты сцепления в результате перегрева;

- при обрыве шнура стартера при условии исправности остальных деталей пускового устройства;

- на все виды работ, выполняемые при периодическом техническом обслуживании (регулировки, чистке, замене расходных материалов и др.);

- на неисправности, возникшие в результате нарушения требований и правил эксплуатации, установленным паспортом изделия. Например, перегрев изделия, несоблюдение требований к составу и качеству топливной смеси, повлекших выход из строя поршневой группы (безусловным признаком этого является залегание поршневого кольца и/или наличие царапин и потертостей на внутренней поверхности цилиндра и поверхности поршня, разрушение или оплавление опорных подшипников шатуна и поршневого пальца);

- на внешние и внутренние загрязнения, царапины, трещины, повреждения, возникшие в процессе эксплуатации или транспортировки.

- при работе электроинструментом с перегрузкой и заклиниванием оснастки, о чем свидетельствуют задиры, изменение цвета от температуры упорных и прижимных шайб, зажимного патрона, выхода из строя редуктора.

Профилактическое обслуживание электроинструмента (чистка, промывка, смазка, замена пыльников, поршневых и уплотнительных колец) в гарантийный период является платной услугой.

Срок службы изделия составляет 3 года.

Срок хранения – 2 года. Не рекомендуется к эксплуатации по истечении 2 лет хранения с даты изготовления, которая указана в серийном номере на этикетке инструмента, без предварительной проверки (определение даты выпуска смотрите ранее в Руководстве пользователя).

О возможных нарушениях, изложенных выше условий гарантийного обслуживания, владельцу сообщается после проведения диагностики в сервисном центре. Владелец инструмента доверяет проведение диагностики в сервисном центре в свое отсутствие.

Запрещается эксплуатация электроинструмента при проявлении признаков повышенного нагрева, искрения, а также шума в редукторной части. Для выяснения причин неисправности покупателю следует обратиться в гарантийную мастерскую.

Неисправности, вызванные несвоевременной заменой угловых щеток двигателя, устраняются за счет покупателя.

5.Гарантия не распространяется на:

- сменные принадлежности (аксессуары и оснастка), например: аккумуляторы, диски, ножи, сверла, буры, патроны, цепи, звезд-

дочки, цанговые зажимы, шины, элементы натяжения и крепления, головки триммеров, подошвы шлифовальных и ленточных машин, фильтры, головки шестигранные сменные насадки и т.п.

- быстроизнашивающиеся детали, например: угольные щетки, приводные ремни, сальники, защитные кожухи, направляющие ролики, направляющие, резиновые уплотнения, подшипники, зубчатые ремни и колеса, стволы, ленты тормоза, храповики и тросы стартеров, поршневые кольца и т.п.

Замена их в течение гарантийного срока является платной услугой.

- шнуры питания, в случае повреждения изоляции. В данном случае потребитель должен быть уведомлен и ремонт (услуга платная) должен быть выполнен после согласия потребителя. Если потребитель не согласен на замену, то в любом ремонте этого инструмента будет отказано. Факт отказа должен быть зафиксирован в гарантийном талоне или квитанции сервисного центра и подписан владельцем.





**ГАРАНТИЙНОЕ СВИДЕТЕЛЬСТВО НА ИНСТРУМЕНТ P.I.T.**

Наименование изделия \_\_\_\_\_

Серийный номер изделия □□□□□□□□□□

Серийный номер зарядного устройства □□□□□□□□□□

Дата продажи « \_\_\_\_ » \_\_\_\_\_

Наименование торговой организации \_\_\_\_\_

Уважаемый покупатель!

М.П.

Благодарим Вас за покупку инструмента P.I.T. и надеемся, что Вы останетесь довольны своим выбором.

При необходимости обслуживания Вашего изделия обращайтесь в авторизованные сервисные центры P.I.T. Все сервисные центры представлены на сайте [www.pittools.ru](http://www.pittools.ru)

**Внимание!**

При покупке требуйте у продавца проверки работоспособности инструмента и его комплектности, а также заполнения гарантийного свидетельства, гарантийного талона (графы «Заполняются продавцом») и простановки печати торговой организации в гарантийном свидетельстве и гарантийных талонах.

**Гарантия**

На основании данного гарантийного свидетельства компания P.I.T. гарантирует отсутствие дефектов производственного характера.

Если в течение гарантийного срока в Вашем изделии обнаружатся указанные дефекты, то специализированные сервисные центры P.I.T. бесплатно отремонтируют изделие и заменят дефектные запасные части.

Гарантийный срок на электроинструменты P.I.T. составляет 12 месяцев со дня продажи.

«С условиями гарантийного обслуживания ознакомлен(а). Работоспособность и комплектность изделия проверены в моем присутствии. Претензий к качеству и внешнему виду не имею».

Подпись покупателя \_\_\_\_\_ Фамилия (разборчиво) \_\_\_\_\_

Телефон \_\_\_\_\_

# P.I.T. WARRANTY CARD

Name _____ Serial Number _____ Sale Date _____ 20__ Date of Receipt from Repair _____ 20__	<b>P.I.T.</b>	<b>№ 1</b>
	Name _____	
	Serial Number _____	
	Sale Date _____ 20__	
	Place of Seal	
	: (Filled out by a Seller)	
	WARRANTY REPAIR CARD	
	Date of Acceptance for Repair _____ 20__	
	Application for Repair _____	
	Customer _____	
Phone (Address) _____		
Cause of Application _____		
Date of Receipt from Repair _____ 20__		
The Tool is checked in my presence _____		
(The Order shall be performed in a Service Center) (Signature)		

Name _____ Serial Number _____ Sale Date _____ 20__ Date of Receipt from Repair _____ 20__	<b>P.I.T.</b>	<b>№ 2</b>
	Name _____	
	Serial Number _____	
	Sale Date _____ 20__	
	Place of Seal	
	: (Filled out by a Seller)	
	WARRANTY REPAIR CARD	
	Date of Acceptance for Repair _____ 20__	
	Application for Repair _____	
	Customer _____	
Phone (Address) _____		
Cause of Application _____		
Date of Receipt from Repair _____ 20__		
The Tool is checked in my presence _____		
(The Order shall be performed in a Service Center) (Signature)		

Name _____ Serial Number _____ Sale Date _____ 20__ Date of Receipt from Repair _____ 20__	<b>P.I.T.</b>	<b>№ 3</b>
	Name _____	
	Serial Number _____	
	Sale Date _____ 20__	
	Place of Seal	
	: (Filled out by a Seller)	
	WARRANTY REPAIR CARD	
	Date of Acceptance for Repair _____ 20__	
	Application for Repair _____	
	Customer _____	
Phone (Address) _____		
Cause of Application _____		
Date of Receipt from Repair _____ 20__		
The Tool is checked in my presence _____		
(The Order shall be performed in a Service Center) (Signature)		

## ГАРАНТИЙНЫЙ ТАЛОН P.I.T.

P.I.T.

Талон № 1

Наименование \_\_\_\_\_

Серийный номер \_\_\_\_\_

Дата продажи « \_\_\_\_ » \_\_\_\_\_ 20\_\_

(Заполняется продавцом)

КАРТА ГАРАНТИЙНОГО РЕМОНА

Дата приема ремонт \_\_\_\_\_ 20\_\_

Заявка на ремонт \_\_\_\_\_

Заказчик \_\_\_\_\_

Телефон (адрес) \_\_\_\_\_

Причина обращения \_\_\_\_\_

Дата получения от ремонта \_\_\_\_\_ 20\_\_

Инструмент проверен в моем присутствии \_\_\_\_\_

(Заказ заполняется в Сервисном Центре) (Подпись)

Место печати  
или штампа

Наименование \_\_\_\_\_

Серийный номер \_\_\_\_\_

Дата продажи \_\_\_\_\_ 20\_\_

Дата получения от ремонта \_\_\_\_\_ 20\_\_

P.I.T.

Талон № 2

Наименование \_\_\_\_\_

Серийный номер \_\_\_\_\_

Дата продажи « \_\_\_\_ » \_\_\_\_\_ 20\_\_

(Заполняется продавцом)

КАРТА ГАРАНТИЙНОГО РЕМОНА

Дата приема ремонт \_\_\_\_\_ 20\_\_

Заявка на ремонт \_\_\_\_\_

Заказчик \_\_\_\_\_

Телефон (адрес) \_\_\_\_\_

Причина обращения \_\_\_\_\_

Дата получения от ремонта \_\_\_\_\_ 20\_\_

Инструмент проверен в моем присутствии \_\_\_\_\_

(Заказ заполняется в Сервисном Центре) (Подпись)

Место печати  
или штампа

Наименование \_\_\_\_\_

Серийный номер \_\_\_\_\_

Дата продажи \_\_\_\_\_ 20\_\_

Дата получения от ремонта \_\_\_\_\_ 20\_\_

P.I.T.

Талон № 3

Наименование \_\_\_\_\_

Серийный номер \_\_\_\_\_

Дата продажи « \_\_\_\_ » \_\_\_\_\_ 20\_\_

(Заполняется продавцом)

КАРТА ГАРАНТИЙНОГО РЕМОНА

Дата приема ремонт \_\_\_\_\_ 20\_\_

Заявка на ремонт \_\_\_\_\_

Заказчик \_\_\_\_\_

Телефон (адрес) \_\_\_\_\_

Причина обращения \_\_\_\_\_

Дата получения от ремонта \_\_\_\_\_ 20\_\_

Инструмент проверен в моем присутствии \_\_\_\_\_

(Заказ заполняется в Сервисном Центре) (Подпись)

Место печати  
или штампа

Наименование \_\_\_\_\_

Серийный номер \_\_\_\_\_

Дата продажи \_\_\_\_\_ 20\_\_

Дата получения от ремонта \_\_\_\_\_ 20\_\_



[www.pit-tools.com](http://www.pit-tools.com)

# P.I.T.

## Media account

---

 [pit\\_global](#)  [PIT Global](#)  [YouTube](#) [PIT Global](#)

 +7 7073005064 +86 15305798923  [bod@pit-tools.com](mailto:bod@pit-tools.com)  [www.pit-tools.com/](http://www.pit-tools.com/)