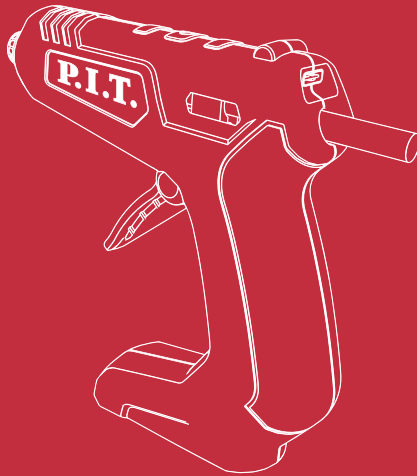


P.I.T.

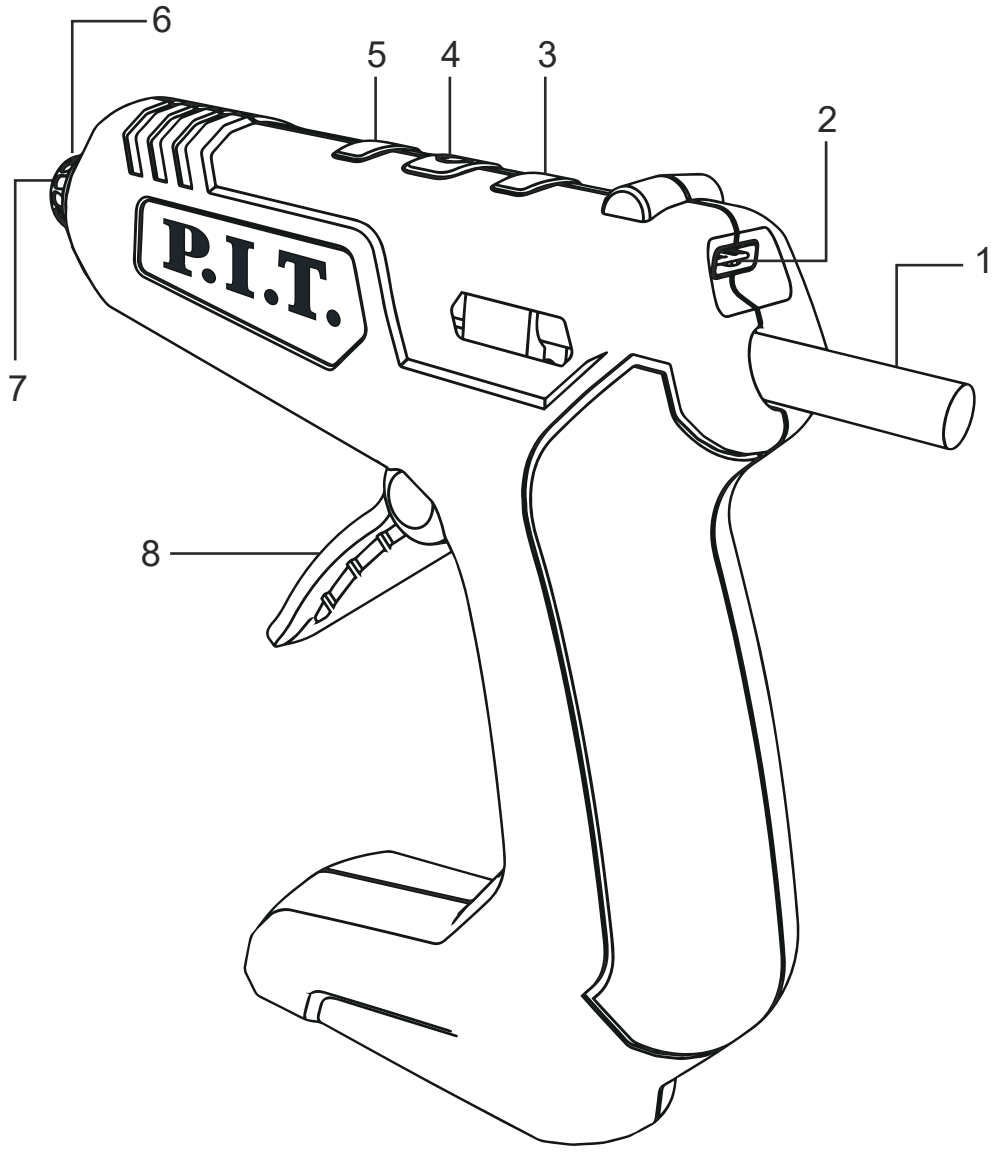
PEC3.6P-7A



CORDLESS GLUE GUN АККУМУЛЯТОРНЫЙ КЛЕЕВОЙ ПИСТОЛЕТ

Please read the instruction manual carefully before use!
Пожалуйста, внимательно прочтите инструкцию перед использованием!





English

Safety Notes

General Power Tool Safety Warnings



WARNING Read all safety warnings and all

instructions.

Failure to follow all instructions listed below may result in electric shock, fire and/or serious injury. The term "power tool" in all of the warnings listed below refers to your mains operated (corded) power tool or battery operated (cordless) power tool.

Work area safety

- ▶ Keep work area clean and well lit. Cluttered or dark areas invite accidents.
- ▶ Do not operate power tools in explosive atmospheres, such as in the presence of flammable liquids, gases or dust. Power tools create sparks which may ignite the dust or fumes.
- ▶ Keep children and bystanders away while operating a power tool. Distractions can cause you to lose control.

Electrical safety

- ▶ Power tool plugs must match the outlet. Never modify the plug in any way. Do not use any adapter plugs with earthed (grounded) power tools. Unmodified plugs and matching outlets will reduce risk of electric shock.
- ▶ Avoid body contact with earthed or grounded surfaces, such as pipes, radiators, ranges and refrigerators. There is an increased risk of electric shock if your body is earthed or grounded.
- ▶ Do not expose power tools to rain or wet conditions. Water entering a power tool will increase the risk of electric shock.
- ▶ Do not abuse the cord. Never use the cord for carrying, pulling or unplugging the power tool. Keep cord away from heat, oil, sharp edges and moving parts. Damaged or entangled cords increase the risk of electric shock.

Personal safety

- ▶ Stay alert, watch what you are doing and use common sense when operating a power tool. Do not use a power tool while you are tired or under the influence of drugs, alcohol or medication. A moment of inattention while operating power tools may result in serious personal injury.
- ▶ Use safety equipment. Always wear eye protection. Safety equipment such as dust mask, non-skid safety shoes, hard hat, or hearing protection used for appropriate conditions will reduce personal injuries.
- ▶ Remove any adjusting key or wrench before

turning the power tool on. A wrench or a key left attached to a rotating part of the power tool may result in personal injury.

- ▶ Do not overreach. Keep proper footing and balance at all times. This enables better control of the power tool in unexpected situations.
- ▶ Dress properly. Do not wear loose clothing or jewellery. Keep your hair, clothing and gloves away from moving parts. Loose clothes, jewellery or long hair can be caught in moving parts.
- ▶ If devices are provided for the connection of dust extraction and collection facilities, ensure these are connected and properly used. Use of dust collection can reduce dust-related hazards.
- ▶ **Study your instrument.** Read the operator's manual carefully. Familiarize yourself with the features and limitations of the application, as well as the potential hazards associated with the product. Compliance with this rule will reduce the risk of electric shock, fire or serious injury.

Study your tool

Read the operator's manual carefully. Familiarize yourself with the features and limitations of the application, as well as the potential hazards associated with the product. Compliance with this rule will reduce the risk of electric shock, fire or serious injury.

- ▶ Do not place the hot glue gun on its side.
- ▶ Place a sheet of paper or cardboard under the tool to prevent hot glue drops from damaging the surface below.
- ▶ Do not touch the heated nozzle of the glue gun.
- ▶ Use the glue gun in a well-ventilated area to avoid inhaling hot glue vapors.
- ▶ Do not point the nozzle of the glue gun at people.
- ▶ Do not tilt the nozzle of the glue gun upwards and do not use the product to glue objects located above your head.
- ▶ Before picking up the object on which the glue is applied, allow it to cool completely and dry.
- ▶ Do not insert any objects inside the tool, except for glue rods. Installation is performed from the back of the tool.
- ▶ When installing a new rod, keep your hands and fingers away from the nozzle of the gun.
- ▶ Never leave the tool unattended when switched on.
- ▶ Avoid applying excessive amounts of glue.
- ▶ Do not allow children and strangers to be in the work area. Distractions can make you lose control.
- ▶ Do not allow children to use the glue gun. It's not a toy.
- ▶ Charge the batteries only with the charger spec-

ified by the manufacturer. A charger suitable for one type of battery may create a risk of fire when used with another type of battery.

- ▶ The battery-powered tool does not need to be plugged into an electrical outlet, so it is always in working condition. Beware of possible hazards when the tool is not in use or when replacing accessories. Compliance with this rule will reduce the risk of electric shock, fire or serious injury.
- ▶ For best results, charge the tool at a temperature between 20°C and 25°C. To reduce the risk of serious injury, do not store the tool outdoors or in a car.
- ▶ Batteries may leak under extreme operating or temperature conditions. If liquid gets on your skin, immediately wash the affected area with soap and water. If liquid gets into your eyes, rinse them with clean water for at least 10 minutes, and then seek medical help immediately. Compliance with this rule will reduce the risk of serious injury.
- ▶ Ensure that the battery is serviced by qualified personnel using only original replacement parts. This will ensure the safety of the tool.

Product Description and Specifications



Read all safety warnings and all instructions. Failure to follow the warnings and instructions may result in electric shock, fire and/or serious injury.

Introduction

The glue gun is a decorative tool widely used in electronics factories, food factories, packaging factories and other products for gluing hot glue strips.

Product Features

The numbering of the product features refers to the illustration of the machine on the graphics page.

1. The glue stick;
2. USB charging interface;
3. Prompt for battery capacity/charge;
4. Switch on key;
5. Temperature prompt;
6. Protective shell of nozzle;
7. The nozzle;
8. The trigger;

Technical Data

Model	PEC3.6P-7A
Battery voltage	DC 3.6 V
Battery	Lithium battery
Battery capacity	1500 mAh
Heating time	15 seconds
Temperature	170°C (max)
Diameter of glue stick	Φ7 mm

Note

Since the product is constantly being improved, P.I.T. reserves the right to make changes to the specifications and product specifications specified here without prior notice.

Contents of delivery

Cordless glue gun	1pc
USB data cable	1pc
Glue stick	5pcs
Operating instructions	1pc

Battery power display:

Battery Capacity/Charge indicator (3) Indicates the battery level through three LED lights.

Full battery: Three LED lights show red, green and green.

The battery is not fully charged: Show a red light or a red light and a green light.

The initial operation

WARNING!

The temperature of hot melt adhesive reaches about 105°C.



Charging the battery

To charge the battery, connect the USB connector of the charging cable to the charger (not included). Use the charger with the following parameters: charging voltage 5V, constant current; charging current 0.5-1.5 A.

Plug the charger into an outlet and connect the Micro USB connector of the charging cable to the charging socket of the battery glue gun.

The battery capacity/charge indicators will start flashing alternately. When fully charged, the indicators will light up and stop flashing.

Disconnect the charger from the mains and the gun.

WARNING!

Do not charge with a damaged power cable or power supply

Note: A damaged power cable may cause danger of electric shock and cause personal injury.

Insert a glue stick: Push the glue stick (1) into the glue inlet.

Heat the glue gun for 15 seconds before using it.

Start:

Press the switch (4) until the temperature indicator (5) turns red. Then the glue stick starts to be heated.

Once the glue stick temperature reaches usable temperature, the temperature indicator (5) will turn green.

Shutdown:

Press the switch (4) until the temperature indicator (5) turns dark and the glue gun turns off.

After use, carefully place the nozzle down until the glue gun cools down before putting it away. Hot nozzles (7) may cause injury or fire.

Maintain and clean

The product must be kept clean, dry and free from oil or grease at all times.

Delicate liquid seeps into the product.

Use a soft cloth to clean the product.

Do not use gasoline, solvent or detergent that can damage the plastic parts.

Automatic shutdown:

The cordless hot glue gun will automatically shut down after 3 minutes of disuse, thus saving power.

Restart the glue gun and check the temperature indicator (5) and battery power display (3) to confirm whether it needs to be recharged or heated.

Warning!

The product will be sent to qualified professional maintenance personnel repair, it is better not to replace the original parts. This ensures continued product safety.

Warning!

Power cables can only be replaced by the manufacturer or the service agent authorized by the manufacturer. This ensures continued product safety.

Warning!

The product only works with the energy provided by the product itself (the battery).

The battery is removed before it is scrapped.

When the battery is removed, the product must be disconnected from the power supply.

After the battery is discarded, it should be safely disposed of.

Warning!

The unused glue stick of the product cannot be pulled out to avoid damage to the internal parts of the product.

Conditions for transportation, storage

Store and transport in the manufacturer's packaging, in a clean form, in a dry ventilated room, away from sources of heat. Avoid moisture, exposure to direct sunlight.

Dispose of the old product, accessories and packaging in an environmentally friendly manner in accordance with local disposal regulations.

Maintenance and Service

Maintenance and Cleaning

► **Before any work on the machine itself (e. g. maintenance, tool change, etc.) as well as during transport and storage, remove the battery from the power tool.** There is danger of injury when unintentionally actuating the On/Off switch.

► **For safe and proper working, always keep the machine and ventilation slots clean.**

When the battery is no longer operative, please refer to an authorized after-sales service agent for P.I.T. power tools.

Dispose of waste



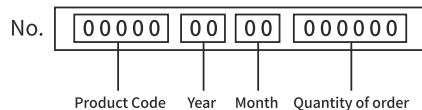
Damaged power tools, batteries, accessories

and waste packaging materials must be recycled and reused in an environmentally friendly manner.

Do not throw power tools and accumulators / batteries into general household waste!

Product serial number interpretation

serial number



The date of manufacture of the product is encoded in the serial number printed on the body of the tool. The first 2 digits indicate the year of issue, the next 2 digits indicate the month.

TERMS OF WARRANTY SERVICE

To customers (users) of warranty service:

1. This warranty certificate is the only document that confirms your right to free warranty service. If this proof is not presented, no claims will be accepted. Warranty certificates cannot be recovered if lost or damaged.

2. It is required to provide a valid and legal document for purchasing the product. The document must have the name or seal of the sales company; at the same time, state the full model name of the purchased P.I.T. product, the serial number on the nameplate of the fuselage, and the date of purchase, and the required warranty. The whole machine and its accessories.

The warranty period:

1. The warranty period of the product is 12 months from the date of sale. During the warranty period, the service department will eliminate manufacturing defects free of charge and replace the parts that fail due to the manufacturer's fault. In warranty repair, an equivalent operable product is not provided. Re-

placeable parts become the property of the service provider.

2. The wear degree on the diameter of the motor rotor commutator is less than 0.4 mm (except for brushless motor tools), and the internal damage caused by the quality of the tool belongs to the warranty.

The following situations occur during the warranty period, which is not covered by the warranty:

1. In the absence of any valid legal documents (invoices) such as warranty certificates and warranty cards to prove the date of purchase.

2. Damage caused by natural wear and overload. (For example, motor rotor and stator failure caused by overload, scorching or melting of the primary winding of the welding machine transformer, charging or starting the charging device, melting of internal parts, burning of electronic circuit boards, etc.)

3. The casing and power cord are mechanically damaged, as well as damage caused by corrosive media and high and low temperature, foreign objects entering the ventilation network of the motor, and damage caused by improper storage (corrosion of metal parts);

4. Damage caused by improper carrying, transportation and storage by users.

5. Products that are opened, repaired, replaced or modified by users themselves.

6. Any damage caused by indiscriminate use, beyond the scope of use of the tool, and not in accordance with the instructions for use and maintenance. (see chapter "Safety Precautions" in the manual);

7. The damage caused by the following situations is not guaranteed due to improper use and non-quality problems:

(1) When the power tool is running at high speed, use the braking device to forcibly stop the rotation.

(2) Excessive pressure is applied to the tool during the use of the tool.

(3) Use the tool outside the scope of its purpose and capabilities.

(4) Damage caused by the tool working in a dusty environment for a long time without timely maintenance of the tool.

(5) Change the rotation direction of the work head before the tool stops completely.

(6) Shock the battery or charger and replace the plug of the charger without permission, causing damage to the battery or charger.

(7) Damage caused by two-stroke gasoline tools not being fueled in the correct proportions.

The warranty does not include:

1. Replacement of accessories (accessories and

components) such as batteries, discs, blades, drills, drills, chucks, chains, sprockets, collet clamps, guide rails, tension and fastening elements, dresser heads, grinders And belt sander base machine, hexagonal head, etc.;

2. Wearing parts, such as: carbon brushes, transmission belts, seals, protective covers, guide rollers, guide rails, rubber seals, bearings, toothed belts and wheels, shanks, brake belts, starter ratchets and ropes, piston rings Wait.

The above accessories are replaced with paid services during the warranty period;

Русский

Общие указания по технике безопасности для электроинструментов

⚠ ПРЕДУПРЕЖДЕНИЕ Прочтите все указания и инструкции по технике.

безопасности. Несоблюдение указаний и инструкций по технике безопасности может стать причиной поражения электрическим током, пожара и тяжелых травм.

Сохраняйте эти инструкции и указания для будущего использования.

Использованное в настоящих инструкциях и указаниях понятие «электроинструмент» распространяется на электроинструмент с питанием от сети (с сетевым шнуром) и на аккумуляторный электроинструмент (без сетевого шнура).

Безопасность рабочего места

- ▶ **Содержите рабочее место в чистоте и хорошо освещенным.** Беспорядок или неосвещенные участки рабочего места могут привести к несчастным случаям.
- ▶ **Не работайте с этим электроинструментом во взрывоопасном помещении, в котором находятся горючие жидкости, воспламеняющиеся газы или пыль.** Электроинструменты искрят, что может привести к воспламенению пыли или паров.
- ▶ **Во время работы с электроинструментом не допускайте близко к Вашему рабочему месту детей и посторонних лиц.** Отвлечшись, Вы можете потерять контроль над электроинструментом.

Электробезопасность

- ▶ **Штепсельная вилка электроинструмента должна подходить к штепсельной розетке. Ни в коем случае не изменяйте штепсельную вилку. Не применяйте переходные штекеры для электроинструментов с защитным заземлением.** Неизменные штепсельные вилки и подходящие штепсельные розетки снижают риск поражения электротоком.
- ▶ **Предотвращайте телесный контакт с заземленными поверхностями, как то: с трубами, элементами отопления, кухонными плитами и холодильниками.** При заземлении Вашего тела повышается риск поражения электротоком.
- ▶ **Защищайте электроинструмент от дождя и сырости.** Проникновение воды в электроинструмент повышает риск поражения электротоком.
- ▶ **Не разрешается использовать шнур не по назначению, например, для транспортиров-**

ки или подвески электроинструмента, или для вытягивания вилки из штепсельной розетки. Защищайте шнур от воздействия высоких температур, масла, острых кромок или подвижных частей электроинструмента. Поврежденный или спутанный шнур повышает риск поражения электротоком.

- ▶ **При работе с электроинструментом под открытым небом применяйте пригодные для этого кабели удлинители.** Применение пригодного для работы под открытым небом кабеля-удлинителя снижает риск поражения электротоком.
- ▶ **Если невозможно избежать применения электроинструмента в сыром помещении, подключайте электроинструмент через устройство защитного отключения.** Применение устройства защитного отключения снижает риск электрического поражения.

Безопасность людей

- ▶ **Будьте внимательными, следите за тем, что Вы делаете, и продуманно начинайте работу с электроинструментом. Не пользуйтесь электроинструментом в усталом состоянии или если Вы находитесь в состоянии наркотического или алкогольного опьянения или под воздействием лекарств.** Один момент невнимательности при работе с электроинструментом может привести к серьезным травмам.
- ▶ **Применяйте средства индивидуальной защиты и всегда защитные очки.** Использование средств индивидуальной защиты, как то: защитной маски, обуви на нескользящей подошве, защитного шлема или средств защиты органов слуха, – в зависимости от вида работы с электроинструментом снижает риск получения травм.
- ▶ **Предотвращайте непреднамеренное включение электроинструмента. Перед подключением электроинструмента к электропитанию и/или к аккумулятору убедитесь в выключенном состоянии электроинструмента.** Удержание пальца на выключателе при транспортировке электроинструмента и подключение к сети питания включенного электроинструмента чревато несчастными случаями.
- ▶ **Убирайте установочный инструмент или гаечные ключи до включения электроинструмента.** Инструмент или ключ, находящийся во вращающейся части электроинструмента, может привести к травмам.
- ▶ **Не принимайте неестественное положение корпуса тела. Всегда занимайте устойчивое**

положение и сохраняйте равновесие. Благодаря этому Вы можете лучше контролировать электроинструмент в неожиданных ситуациях.

- ▶ **Носите подходящую рабочую одежду. Не носите широкую одежду и украшения. Держите волосы, одежду и рукавицы вдали от движущихся частей.** Широкая одежда, украшения или длинные волосы могут быть затянуты вращающимися частями.
- ▶ **При наличии возможности установки пылеотсасывающих и пылесборных устройств проверяйте их присоединение и правильное использование.** Применение пылеотсоса может снизить опасность, создаваемую пылью.
- ▶ **ВНИМАНИЕ! В случае возникновения перерыва в работе электроинструмента вследствие полного или частичного прекращения энергоснабжения или повреждения цепи управления энергоснабжением установите выключатель в положение Выкл., убедившись, что он не заблокирован (при его наличии). Отключите сетевую вилку от розетки или отсоедините съёмный аккумулятор.** Этим предотвращается неконтролируемый повторный запуск.

Изучите свой инструмент

Внимательно прочитайте руководство для оператора. Ознакомьтесь с особенностями и ограничениями применения, а также потенциальными опасностями, связанными с изделием. Соблюдение данного правила снизит риск поражения электрическим током, возгорания или получения серьезной травмы.

- ▶ Не кладите горячий клеевой пистолет на бок.
- ▶ Разместите под инструментом лист бумаги или картона, чтобы предотвратить повреждение находящейся внизу поверхности горячими каплями клея.
- ▶ Не касайтесь нагретого сопла клеевого пистолета.
- ▶ Используйте клеевой пистолет в хорошо вентилируемом помещении во избежание вдыхания паров горячего клея.
- ▶ Не направляйте сопло клеевого пистолета на людей.
- ▶ Не наклоняйте сопло клеевого пистолета вверх и не используйте изделие для склеивания предметов, находящихся у вас над головой.
- ▶ Перед тем как взять в руки предмет, на который нанесен клей, дайте ему полностью остыть и высохнуть.
- ▶ Не вставляйте внутрь инструмента каких-либо предметов, за исключением клеевых стержней.

Установка производится с тыльной части инструмента.

- ▶ При установке нового стержня держите кисти рук и пальцы вдали от сопла пистолета.
- ▶ Никогда не оставляйте инструмент без присмотра во включенном состоянии.
- ▶ Избегайте нанесения избыточного количества клея.
- ▶ Не допускайте нахождения детей и посторонних в рабочей зоне. Отвлекающие факторы могут заставить вас потерять контроль.
- ▶ Не позволяйте детям использовать клеевой пистолет. Это не игрушка.
- ▶ Заряжайте батареи только при помощи зарядного устройства, указанного производителем. Зарядное устройство, подходящее для одного типа батарей, может создавать риск возгорания при использовании с другим типом батарей.
- ▶ Инструмент, работающий от батарей, не нужно подключать к электрической розетке, поэтому он всегда находится в рабочем состоянии. Остерегайтесь возможных опасностей, когда инструмент не используется или при замене аксессуаров. Соблюдение данного правила снижает риск поражения электрическим током, пожара или серьезной травмы.
- ▶ Для достижения наилучшего результата заряжайте инструмент при температуре между 20°C и 25°C. Чтобы снизить риск получения серьезных травм, не храните инструмент вне помещения или в автомобиле.
- ▶ В экстремальных эксплуатационных или температурных условиях может произойти утечка из батареи. Если жидкость попадет вам на кожу, немедленно промойте пораженный участок водой с мылом. Если жидкость попадет вам в глаза, промывайте их чистой водой в течение, как минимум, 10 минут, а затем немедленно обратитесь за медицинской помощью. Соблюдение данного правила снизит риск получения серьезной травмы.
- ▶ Обеспечьте обслуживание аккумулятора силами квалифицированного персонала с использованием только оригинальных сменных деталей. Это обеспечит безопасность инструмента.

Описание продукта и услуг



Прочтите все указания и

инструкции потехнике безопасности.

Несоблюдение указаний по технике безопасности и инструкций может привести к поражению электрическим током, пожару и/или тяжелым травмам. Пожалуйста, соблюдайте иллюстрации в начале руководства по эксплуатации.

Применение по назначению

Клеевой пистолет - это декоративный инструмент, широко используемый на заводах электроники, пищевых фабриках, упаковочных фабриках и других изделиях для приклеивания полосок горячего клея.

Изображенные составные части

Нумерация представленных компонентов выполнена по изображению на странице с иллюстрациями.

1. Стержень клеевой;
2. USB разъем для зарядки;
3. Индикатор емкости / заряда батареи;
4. Кнопка включения/выключения;
5. Индикатор нагрева;
6. Защита сопла;
7. Сопло;
8. Курок подачи клея;

Технические характеристики

Модель	PEC3.6P-7A
Напряжение батареи	DC 3.6 В
Батарея	литиевая батарея
Емкость аккумулятора	1500 мАч
Время нагрева	15 секунд
Температура	170°C (макс.)
Диаметр клеевого стержня	Ф7 мм

Примечание

Так как изделие постоянно совершенствуется, P.I.T. оставляет за собой право на внесение изменений в указанные здесь технические характеристики и комплектацию изделия без предварительного уведомления.

Комплект поставки

Аккумуляторный Клеевой Пистолет	1шт
USB кабель	1шт
Стержень клеевой	5шт
Инструкция по эксплуатации	1шт

Предупреждение!

Не заряжайте аккумулятор при повреждении кабеля или блока питания.

Примечание: Поврежденный кабель питания может вызвать опасность поражения электрическим током и привести к травмам.

Индикатор емкости батареи:

Индикатор емкости/заряда батареи (3) показывает уровень заряда батареи с помощью трех светодиодных индикаторов.

Полная батарея: три светодиодных индикатора показывают красный, зеленый и зеленый.

Аккумулятор не полностью заряжен:

индикаторы светят - красный или красный свет и зеленый свет.

ПРИМЕЧАНИЕ!



Температура плавления клея составляет примерно 105°C.

Зарядка аккумулятора

Для зарядки аккумулятора Подключите USB разъем зарядного кабеля к зарядному устройству (не идет комплекте). Используйте зарядное устройство со следующими параметрами: напряжение заряда 5В, постоянный ток; ток зарядки 0,5-1.5А.

Подключите зарядное устройство к розетке и присоедините Micro USB разъем зарядного кабеля к зарядному гнезду аккумуляторного клеевого пистолета. Индикаторы емкости/заряда батареи начнут поочередно мигать. При полной зарядке индикаторы загорятся и прекратят мигание.

Отключите зарядное устройство от сети и пистолета.

Эксплуатация

Используйте стандартные клеевые стержни диаметром 7мм.

Вставьте клеевой стержень через отверстие в тыльной части пистолета.

Нагрейте клеевой пистолет в течение 15 секунд перед его использованием.

Включение:

Нажимайте кнопку (4), пока индикатор температуры (5) не станет красным. Затем клеевой стержень начинает нагреваться.

Как только температура клеевого стержня достигнет оптимальной температуры, индикатор температуры (5) станет зеленым.

Выключение:

Нажмите на кнопку включения (4) в течении 2 секунд, после этого индикатор температуры (5) потемнеет и клеевой пистолет выключится.

После использования дождитесь, пока клеевой пистолет не остынет, прежде чем убрать его. Горячее сопло может привести к травме или возгоранию.

Уход и очистка

Продукт должен постоянно содержаться в чистоте, сухости и без пятен масла или жира.

Используйте мягкую ткань для очистки продукта. Не используйте бензин, растворитель или моющее средство, которые могут повредить пластиковые детали.

Автоматическое выключение:

Если устройство не используется, оно автоматически выключается примерно через 3 минуты, тем самым экономя электроэнергию. Перезапустите клеевой пистолет и проверьте индикатор температуры (5) и дисплей питания батареи (3), чтобы проверить, нужно ли его заряжать или нагревать.

Предупреждение!

Ремонт изделия должна производить только авторизованная сервисная мастерская с использованием оригинальных деталей. Это обеспечивает безопасность продукции.

Предупреждение!

Устройство работает только от аккумулятора. Ремонт и замена аккумулятора проводится только в авторизованном сервисном центре.

Предупреждение!

Неиспользованный клеевой стержень нельзя вытаскивать, чтобы избежать повреждения внутренних частей изделия.

Условия транспортирования и хранения

Хранить в упаковке производителя, в чистом виде, в сухом проветриваемом помещении, вдали от источников тепла при температуре воздуха от 0°C до +40°C и влажности не более 80 %. Не допускать попадания влаги, воздействия прямых солнечных лучей.

Хранить инструмент необходимо с заряженной батареей. При длительном хранении производите периодическую подзарядку.

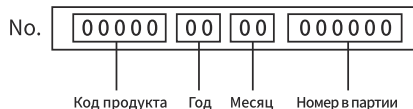
Транспортировать продукцию можно любым видом закрытого транспорта в фирменной упаковке или без нее, с сохранением изделия от механических повреждений, атмосферных осадков.

Перед транспортировкой необходимо снять рабочий инструмент.

Утилизация

Отслужившие свой срок электроинструменты, принадлежности и упаковку следует сдавать на экологически чистую переработку отходов.

Утилизируйте электроинструмент отдельно от бытового мусора!

РАСШИФРОВКА ДАТЫ ИЗГОТОВЛЕНИЯ ИЗДЕЛИЯ

Дата изготовления изделия зашифрована в серийном номере, напечатанном на корпусе инструмента. Первые 2 цифры обозначают год выпуска, следующие 2 цифры – месяц.

УСЛОВИЯ ГАРАНТИЙНОГО ОБСЛУЖИВАНИЯ

1. Настоящее гарантийное свидетельство является единственным документом, подтверждающим ваше право на бесплатное гарантийное обслуживание. Без предъявления данного свидетельства претензии не принимаются. В случае утери или порчи гарантийное свидетельство не восстанавливается.

2. Гарантийный срок указан в гарантийном сертификате. В течение гарантийного срока сервисная служба бесплатно устраняет производственные дефекты и производит замену деталей, вышедших из строя по вине изготовителя. На период гарантийного ремонта эквивалентный исправный инструмент не предоставляется. Заменяемые детали переходят в собственность служб сервиса. Компания P.I.T. не несет ответственности за вред, который может быть причинен при работе с электроинструментом.

3. В гарантийный ремонт инструмент принимается в чистом виде, при обязательном наличии надлежащим образом оформленных документов: настоящего гарантийного свидетельства, гарантийного талона, с полностью заполненными полями, штампом торговой организации и подписью покупателя.

4. Гарантийный ремонт не производится в следующих случаях:

- при отсутствии гарантийного свидетельства и гарантийного талона или неправильном их оформ-

- лении;
- степень износа диаметра коллектора ротора двигателя превышает 0,4 мм (за исключением инструментов с бесщеточным двигателем);
 - при совместном выходе из строя якоря и статора электродвигателя, при обугливаниях или оплавлении первичной обмотки трансформатора сварочного аппарата, зарядного или пуско-зарядного устройства, при оплавлении внутренних деталей, прожоге электронных плат и других случаях;
 - если гарантийное свидетельство или талон не принадлежат данному электроинструменту или не соответствует установленному поставщиком образцу;
 - по истечении срока гарантии;
 - при попытках самостоятельного вскрытия или ремонта электроинструмента вне гарантийной мастерской;
 - внесения конструктивных изменений и смазки инструмента в гарантийный период, о чем свидетельствуют, например, заломы на шлицевых частях крепежа корпусных деталей;
 - при использовании электроинструмента в производственных или иных целях, связанных с получением прибыли, а также при возникновении неисправностей связанных с нестабильностью параметров электросети, превышающих нормы, установленные ГОСТ;
 - при неправильной эксплуатации, использованию электроинструмента не по назначению, указанному в инструкции по эксплуатации, установки на электроинструмент не предназначенных заводом-изготовителем насадок, дополнительных приспособлений и т.п.;
 - при механических повреждениях корпуса, сетевого шнура и при повреждениях, вызванных воздействиями агрессивных средств и высоких и низких температур, попадании инородных предметов в вентиляционные решетки электроинструмента, а также при повреждениях, наступивших в результате неправильного хранения (коррозия металлических частей);
 - при естественном износе деталей электроинструмента, в результате длительной эксплуатации (определяется по признакам полной или частичной выработки ресурса, сильного загрязнения, ржавчины снаружи и внутри электроинструмента, отработанной смазки в редукторе);
 - при возникновении повреждений в связи с несоблюдением предусмотренных инструкцией условий эксплуатации (см. главу «Указание по технике безопасности» в инструкции).
 - при повреждении изделия вследствие несоблюдения правил хранения и транспортировки;
 - при сильном внутреннем загрязнении инструмента;
 - при работе с перегрузкой бензоинструмента, изменении цвета чашки и муфты сцепления в результате перегрева;
 - при обрыве шнура стартера при условии исправности остальных деталей пускового устройства;
 - на все виды работ, выполняемые при периодическом техническом обслуживании (регулировать, чистке, замене расходных материалов и др.);
 - на неисправности, возникшие в результате нарушения требований и правил эксплуатации, установленным паспортом изделия. Например, перегрев изделия, несоблюдение требований к составу и качеству топливной смеси, повлекших выход из строя поршневой группы (безусловным признаком этого является залегание поршневого кольца и/или наличие царапин и потертостей на внутренней поверхности цилиндра и поверхности поршня, разрушение или оплавление опорных подшипников шатуна и поршневого пальца);
 - на внешние и внутренние загрязнения, царапины, трещины, повреждения, возникшие в процессе эксплуатации или транспортировки.
 - при работе электроинструментом с перегрузкой и заклиниванием оснастки, о чем свидетельствуют задиры, изменение цвета от температуры упорных и прижимных шайб, зажимного патрона, выхода из строя редуктора.
- Профилактическое обслуживание электроинструмента (чистка, промывка, смазка, замена пыльников, поршневых и уплотнительных колец) в гарантийный период является платной услугой.
- Срок службы изделия составляет 3 года.
- Срок хранения – 2 года. Не рекомендуется к эксплуатации по истечении 2 лет хранения с даты изготовления, которая указана в серийном номере на этикетке инструмента, без предварительной проверки (определение даты выпуска смотрите ранее в Руководстве пользователя).
- О возможных нарушениях, изложенных выше условий гарантийного обслуживания, владельцу сообщается после проведения диагностики в сервисном центре. Владелец инструмента доверяет проведение диагностики в сервисном центре в свое отсутствие.
- Запрещается эксплуатация электроинструмента при проявлении признаков повышенного нагрева, искрения, а также шума в редукторной части. Для выяснения причин неисправности покупателю следует обратиться в гарантийную мастерскую.
- Неисправности, вызванные несвоевременной за-

угольных щеток двигателя, устраняются за счет покупателя.

5. Гарантия не распространяется на:

- сменные принадлежности (аксессуары и оснастка), например: аккумуляторы, диски, ножи, сверла, буры, патроны, цепи, звездочки, цанговые зажимы, шины, элементы натяжения и крепления, головки триммеров, подошвы шлифовальных и ленточных машин, фильтры, головки шестигранные сменные насадки и т.п.

- быстроизнашивающиеся детали, например: угольные щетки, приводные ремни, сальники, защитные кожухи, направляющие ролики, направляющие, резиновые уплотнения, подшипники, зубчатые ремни и колеса, стволы, ленты тормоза, храповики и тросы стартеров, поршневые кольца и т.п.

Замена их в течение гарантийного срока является платной услугой.

- шнуры питания, в случае повреждения изоляции. В данном случае потребитель должен быть уведомлен и ремонт (услуга платная) должен быть выполнен после согласия потребителя. Если потребитель не согласен на замену, то в любом ремонте этого инструмента будет отказано. Факт отказа должен быть зафиксирован в гарантийном талоне или квитанции сервисного центра и подписан владельцем.

P.I.T. WARRANTY CERTIFICATE

Product Name _____

Product Serial Number Charger Serial Number

Sale Date _____

Trade Organization Name _____

Place of seal

Dear customer!

Thank you for purchasing the P.I.T tool, and we hope that you will be satisfied with your choice. In the process of manufacturing the P.I.T tools pass multilevel quality control, if nevertheless your product will need maintenance, please contact the authorized P.I.T service centers.

Attention!

When buying, ask a seller to check the completeness and operability of the tool, to fill out the Warranty Certificate, the Warranty Card (the boxes shall be filled out by a seller) and to affix the seal of the trade organization in the Guarantee Certificate and the Warranty Card.

Warranty

By this Warranty Certificate, P.I.T. company guarantees the absence of defects of the production nature.

In the event any of the above defects are detected during the warranty period, the specialized P.I.T. service centers shall repair the product and replace the defective spare parts free of charge.

The warranty period for P.I.T. electric machines is 12 months from the date of sale.

“The warranty maintenance terms acknowledged and accepted. The operability and completeness of the product are checked in my presence. No claims on quality and appearance.”

Buyer's Signature _____ Surname (legibly) _____

Phone _____

ГАРАНТИЙНОЕ СВИДЕТЕЛЬСТВО НА ИНСТРУМЕНТ P.I.T.

Наименование изделия _____

Серийный номер изделия Серийный номер зарядного устройства

Дата продажи « _____ » _____

Наименование торговой организации _____

Уважаемый покупатель!

М.П.

Благодарим Вас за покупку инструмента P.I.T. и надеемся, что Вы останетесь довольны своим выбором.

При необходимости обслуживания Вашего изделия обращайтесь в авторизованные сервисные центры P.I.T. Все сервисные центры представлены на сайте www.pittools.ru

Внимание!

При покупке требуйте у продавца проверки работоспособности инструмента и его комплектности, а также заполнения гарантийного свидетельства, гарантийного талона (графы «Заполняются продавцом») и простановки печати торговой организации в гарантийном свидетельстве и гарантийных талонах.

Гарантия

На основании данного гарантийного свидетельства компания P.I.T. гарантирует отсутствие дефектов производственного характера.

Если в течение гарантийного срока в Вашем изделии обнаружатся указанные дефекты, то специализированные сервисные центры P.I.T. бесплатно отремонтируют изделие и заменят дефектные запасные части.

Гарантийный срок на электроинструменты P.I.T. составляет 12 месяцев со дня продажи.

«С условиями гарантийного обслуживания ознакомлен(а). Работоспособность и комплектность изделия проверены в моем присутствии. Претензий к качеству и внешнему виду не имею».

Подпись покупателя _____ Фамилия(разборчиво) _____

Телефон _____

P.I.T. WARRANTY CARD

Name _____ Serial Number _____ Sale Date _____ 20____ Date of Receipt from Repair _____ 20____	P.I.T.		№ 1
	Name _____		
	Serial Number _____		
	Sale Date _____ 20____		Place of Seal
	(Filled out by a Seller)		
	WARRANTY REPAIR CARD		
	Date of Acceptance for Repair _____ 20____		
	Application for Repair _____		
	Customer _____		
	Phone (Address) _____		
Cause of Application _____			
Date of Receipt from Repair _____ 20____			
The Tool is checked in my presence _____			
(The Order shall be performed in a Service Center) (Signature)			

Name _____ Serial Number _____ Sale Date _____ 20____ Date of Receipt from Repair _____ 20____	P.I.T.		№ 2
	Name _____		
	Serial Number _____		
	Sale Date _____ 20____		Place of Seal
	(Filled out by a Seller)		
	WARRANTY REPAIR CARD		
	Date of Acceptance for Repair _____ 20____		
	Application for Repair _____		
	Customer _____		
	Phone (Address) _____		
Cause of Application _____			
Date of Receipt from Repair _____ 20____			
The Tool is checked in my presence _____			
(The Order shall be performed in a Service Center) (Signature)			

Name _____ Serial Number _____ Sale Date _____ 20____ Date of Receipt from Repair _____ 20____	P.I.T.		№ 3
	Name _____		
	Serial Number _____		
	Sale Date _____ 20____		Place of Seal
	(Filled out by a Seller)		
	WARRANTY REPAIR CARD		
	Date of Acceptance for Repair _____ 20____		
	Application for Repair _____		
	Customer _____		
	Phone (Address) _____		
Cause of Application _____			
Date of Receipt from Repair _____ 20____			
The Tool is checked in my presence _____			
(The Order shall be performed in a Service Center) (Signature)			

ГАРАНТИЙНЫЙ ТАЛОН P.I.T.

P.I.T.

Талон № 1

Наименование _____

Серийный номер _____

Дата продажи « ____ » ____ 20__

(Заполняется продавцом)

КАРТА ГАРАНТИЙНОГО РЕМОНА

Дата приема ремонт ____ 20__

Заявка на ремонт _____

Заказчик _____

Телефон (адрес) _____

Причина обращения _____

Дата получения от ремонта ____ 20__

Инструмент проверен в моем присутствии _____

(Заказ заполняется в Сервисном Центре) (Подпись)

Место печати
или штампа

Наименование _____

Серийный номер _____

Дата продажи ____ 20__

Дата получения от ремонта ____ 20__

P.I.T.

Талон № 2

Наименование _____

Серийный номер _____

Дата продажи « ____ » ____ 20__

(Заполняется продавцом)

КАРТА ГАРАНТИЙНОГО РЕМОНА

Дата приема ремонт ____ 20__

Заявка на ремонт _____

Заказчик _____

Телефон (адрес) _____

Причина обращения _____

Дата получения от ремонта ____ 20__

Инструмент проверен в моем присутствии _____

(Заказ заполняется в Сервисном Центре) (Подпись)

Место печати
или штампа

Наименование _____

Серийный номер _____

Дата продажи ____ 20__

Дата получения от ремонта ____ 20__

P.I.T.

Талон № 3

Наименование _____

Серийный номер _____

Дата продажи « ____ » ____ 20__

(Заполняется продавцом)

КАРТА ГАРАНТИЙНОГО РЕМОНА

Дата приема ремонт ____ 20__

Заявка на ремонт _____

Заказчик _____

Телефон (адрес) _____

Причина обращения _____

Дата получения от ремонта ____ 20__

Инструмент проверен в моем присутствии _____

(Заказ заполняется в Сервисном Центре) (Подпись)

Место печати
или штампа

Наименование _____

Серийный номер _____

Дата продажи ____ 20__

Дата получения от ремонта ____ 20__




www.pit-tools.com


P.I.T.

Media account

 [pit_global](#)

 [PIT Global](#)

 [YouTube PIT Global](#)

 +7 7073005064 +86 15305798923

 bod@pit-tools.com

 www.pit-tools.com/